

A4E300-AA01-02

AC axial fan

straight blades (A series)



ebm-papst Mulfingen GmbH & Co. KG

Bachmühle 2 · D-74673 Mulfingen

Phone +49 7938 81-0

Fax +49 7938 81-110

info1@de.ebmpapst.com

www.ebmpapst.com

Limited partnership · Headquarters Mulfingen

Amtsgericht (court of registration) Stuttgart · HRA 590344

General partner Elektrobau Mulfingen GmbH · Headquarters Mulfingen

Amtsgericht (court of registration) Stuttgart · HRB 590142

Nominal data

Type	A4E300-AA01-02		
Motor	M4E068-DF		
Phase		1~	1~
Nominal voltage	VAC	230	230
Frequency	Hz	50	60
Method of obtaining data		fa	fa
Valid for approval/standard		CE	CE
Speed (rpm)	min ⁻¹	1370	1570
Power consumption	W	86	117
Current draw	A	0.38	0.52
Capacitor	µF	3.0	3.0
Capacitor voltage	VDB	450	450
Max. back pressure	Pa	50	65
Max. back pressure	in. wg	0.2	0.26
Min. ambient temperature	°C	-25	-25
Max. ambient temperature	°C	35	30
Starting current	A	0.8	0.77

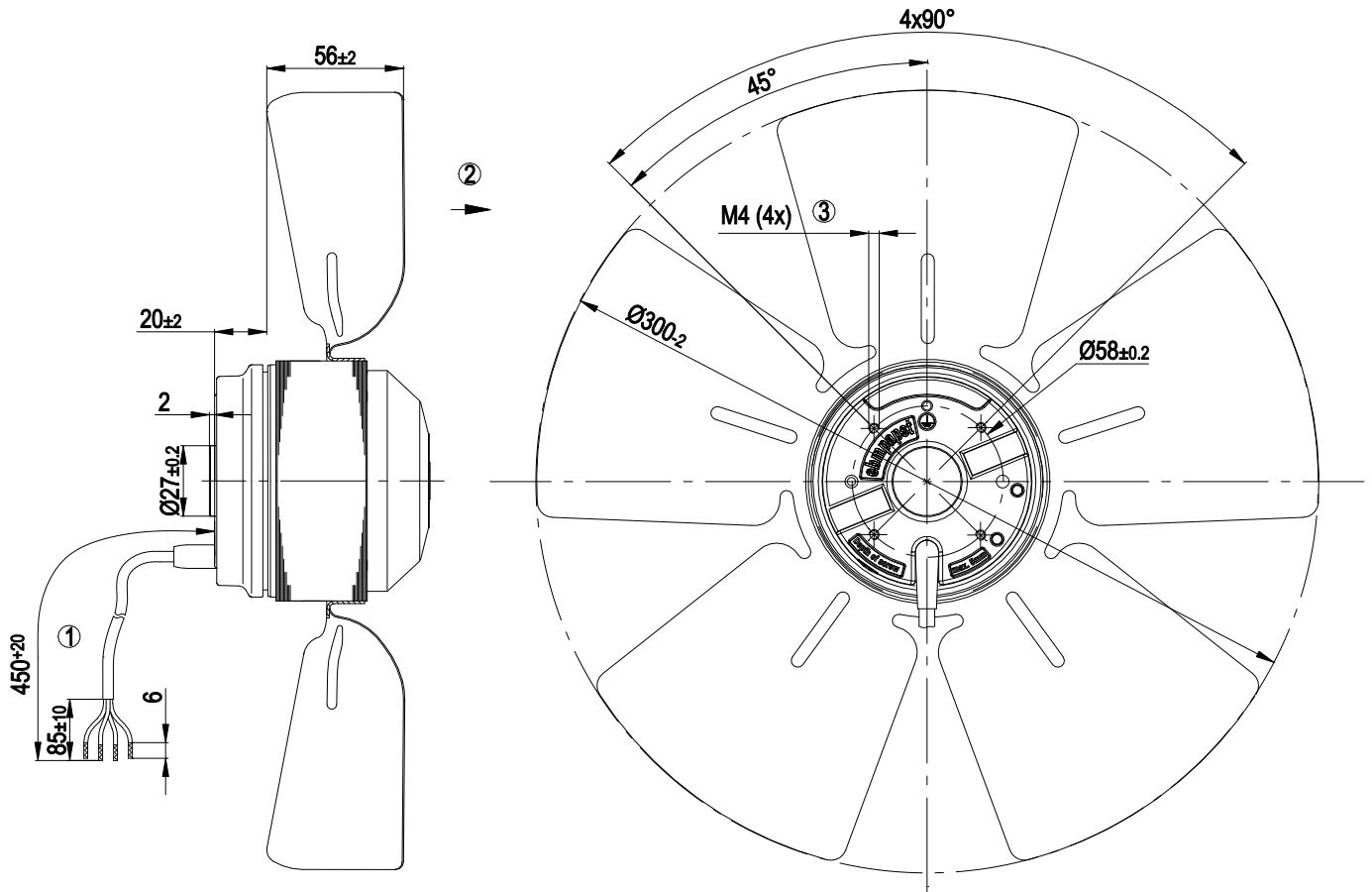
ml = Max. load · me = Max. efficiency · fa = Free air · cs = Customer specification · ce = Customer equipment
Subject to change



Technical description

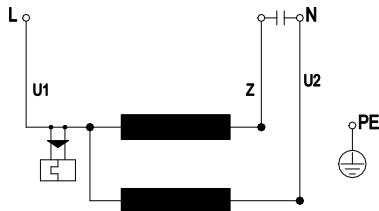
Weight	2.3 kg
Fan size	300 mm
Rotor surface	Painted black
Blade material	Sheet steel, painted black
Number of blades	5
Airflow direction	"A"
Direction of rotation	Clockwise, viewed toward rotor
Degree of protection	IP44
Insulation class	"B"
Moisture (F) / Environmental (H) protection class	H1
Max. permitted ambient temp. for motor (transport/storage)	+ 80 °C
Min. permitted ambient temp. for motor (transport/storage)	- 40 °C
Installation position	Shaft horizontal or rotor on bottom; rotor on top on request
Condensation drainage holes	On rotor side
Mode	S1
Motor bearing	Ball bearing
Touch current according to IEC 60990 (measuring circuit Fig. 4, TN system)	< 0.75 mA
Motor protection	Thermal overload protector (TOP) internally connected
With cable	Variable
Protection class	I (with customer connection of protective earth)
Conformity with standards	EN 60335-1; CE
Approval	CCC

Product drawing



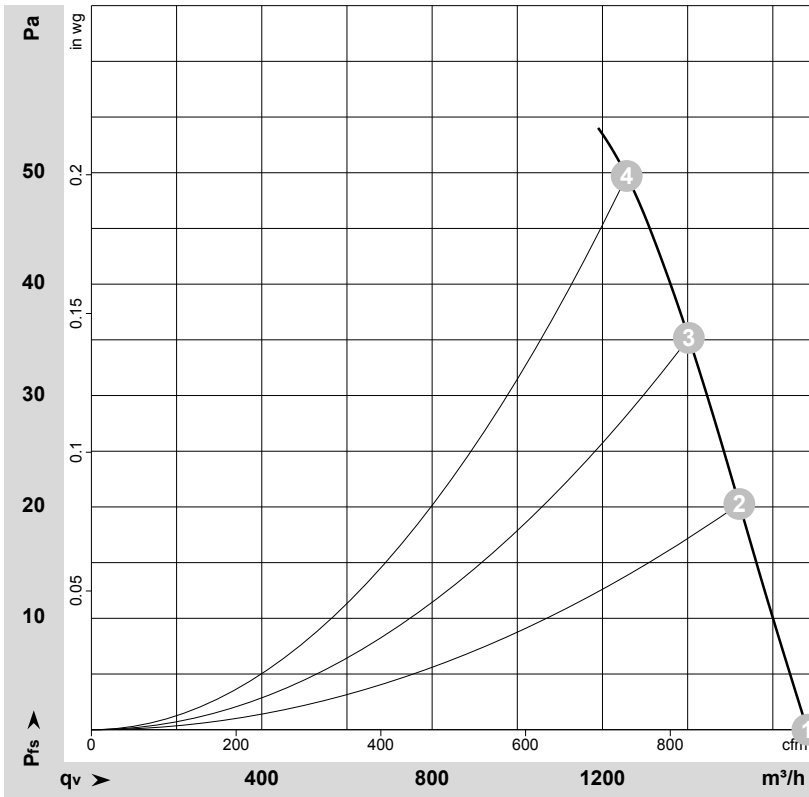
- | | |
|---|------------------------------------------------------|
| 1 | Cable PVC 4G 0.5mm ² , 4x crimped splices |
| 2 | Direction of air flow "A" |
| 3 | Max. clearance for screw 5 mm |

Connection diagram



U1	blue	Z	brown	U2	black
PE	green/yellow				

Curves: Air performance 50 Hz



$\rho = 1.15 \text{ kg/m}^3 \pm 2 \%$

Measurement: LU-64425-1

Air performance measured according to ISO 5801 installation category A. For detailed information on the measurement setup, contact ebm-papst. Intake sound level: Sound power level according to ISO 13347 / sound pressure level measured at 1 m distance from fan axis. The values given are valid under the specified measuring conditions and may vary due to conditions of installation. For deviations from the standard configuration, the parameters have to be checked on the installed unit.

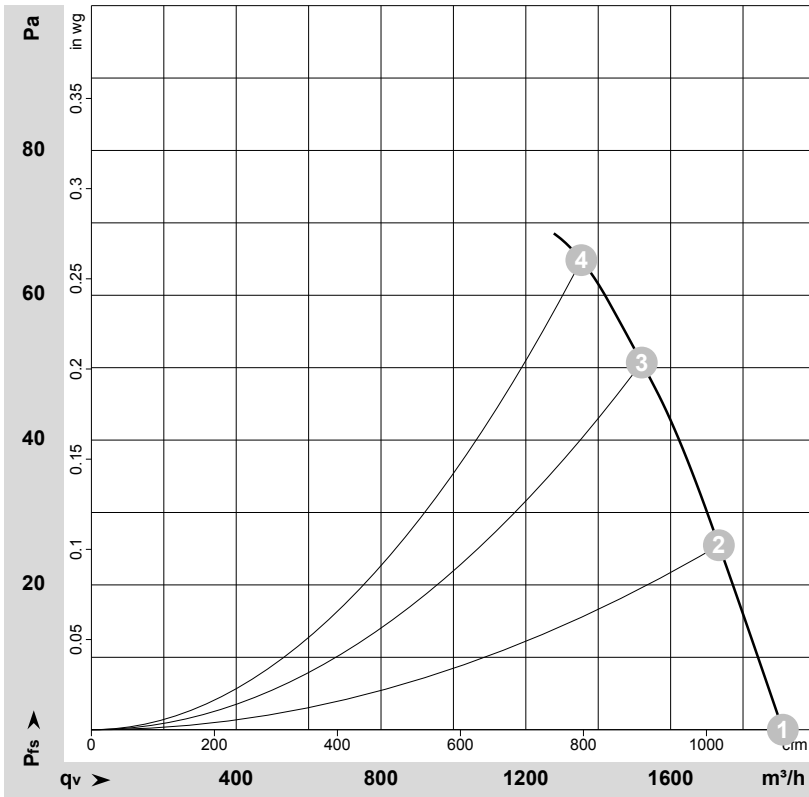
Measured values

	U	f	n	P _e	I	q _v	p _{fs}	q _v	p _{fs}
	V	Hz	min ⁻¹	W	A	m ³ /h	Pa	cfm	in. wg
1	230	50	1370	86	0.38	1680	0	990	0.00
2	230	50	1335	90	0.40	1520	20	895	0.08
3	230	50	1325	93	0.41	1405	35	825	0.14
4	230	50	1315	95	0.42	1255	50	740	0.20

U = Power supply · f = Frequency · n = Speed (rpm) · P_e = Power consumption · I = Current draw · q_v = Air flow · p_{fs} = Pressure increase



Curves: Air performance 60 Hz



$\rho = 1.15 \text{ kg/m}^3 \pm 2 \%$

Measurement: LU-109458-1

Air performance measured according to ISO 5801 installation category A. For detailed information on the measurement setup, contact ebm-papst. Intake sound level: Sound power level according to ISO 13347 / sound pressure level measured at 1 m distance from fan axis. The values given are valid under the specified measuring conditions and may vary due to conditions of installation. For deviations from the standard configuration, the parameters have to be checked on the installed unit.

Measured values

	U	f	n	P _e	I	q _v	p _{fs}	q _v	p _{fs}
	V	Hz	min ⁻¹	W	A	m ³ /h	Pa	cfm	in. wg
1	230	60	1570	117	0.52	1910	0	1125	0.00
2	230	60	1545	120	0.53	1735	25	1020	0.10
3	230	60	1520	123	0.54	1520	50	895	0.20
4	230	60	1505	125	0.55	1355	65	795	0.26

U = Power supply · f = Frequency · n = Speed (rpm) · P_e = Power consumption · I = Current draw · q_v = Air flow · p_{fs} = Pressure increase



X-ON Electronics

Largest Supplier of Electrical and Electronic Components

Click to view similar products for [ebm papst](#) manufacturer:

Other Similar products are found below :

[01505-4-6711](#) [02001-4-1021](#) [026758A](#) [03749-2-4039](#) [04013-2-4039](#) [07100-36](#) [07145-24](#) [09325G](#) [09415-2-4039](#) [09418-2-4039](#) [09490-2-4039](#) [09494-2-4039](#) [09496-2-4039](#) [09503-2-4039](#) [09532-2-4039](#) [09576-2-4013](#) [09609-2-4013](#) [100-00-0013](#) [10016-1-5170](#) [10017-1-5170](#) [10020-1-5170](#) [10021-1-5170](#) [10023-1-5170](#) [10024-1-5170](#) [10638-4-1040](#) [1247-4-6254](#) [1433-4-6711](#) [1434-4-6711](#) [1434-4-6711-1](#) [1434-4-6711-3](#) [1434-4-6711-80](#) [145185H](#) [1505-4-6711](#) [19112-2-4039](#) [19114-2-4039](#) [19115-2-4039](#) [19699-2-4039](#) [2001-4-1021](#) [20993.45098](#) [20999.45099](#) [2100-4-7320](#) [2101-4-7320](#) [2103-4-7320](#) [21487-1-0174](#) [21490-1-0174](#) [21490-1-0174A](#) [2151-4-7320](#) [2155-4-7320](#) [2156-4-7320](#) [2159-4-7320](#)