

Max. 204 m<sup>3</sup>/h

# ACmaxx axial fans

□ 119 x 32 mm



- **Material:** Housing: GRP<sup>1)</sup> (PBTP)  
Impeller: GRP<sup>1)</sup> (PA)
  - **Direction of air flow:** Exhaust over struts
  - **Direction of rotation:** Clockwise, looking towards rotor
  - **Connection:** Via single wires AWG 22, TR 64
  - **Highlights:** Universally usable for all power voltages between 85 and 265 VAC
  - **Weight:** 325 g
- **Possible special versions:** (See chapter DC fans - specials)
    - Speed signal
    - Go / NoGo alarm
    - Alarm with speed limit
    - External temperature sensor
    - Internal temperature sensor
    - PWM control input
    - Analog control input
    - Moisture protection
    - Salt spray protection
    - Degree of protection: IP 54 / IP 68

1) Fiberglass-reinforced plastic

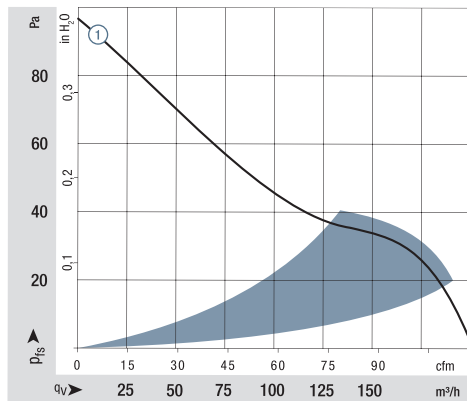
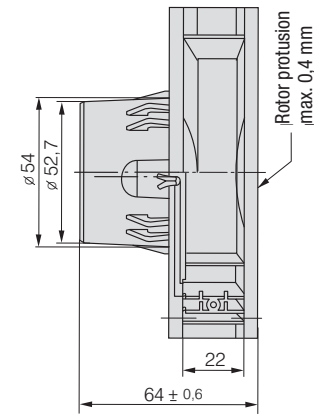
Series AC 4300

## Nominal data

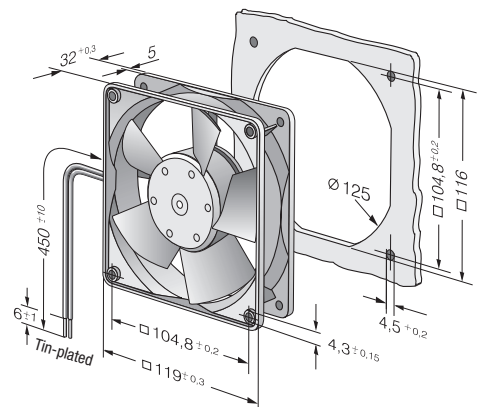
Type	Air flow		Nominal voltage	Frequency	Voltage range	Sound pressure level	Sound power level	Sinter sleeve bearings Ball bearings	Power consumption	Nominal speed	Temperature range	Service life L <sub>10</sub> (40 °C) ebm-papst standard	Service life L <sub>10</sub> (T <sub>max</sub> ) ebm-papst standard	Life expectancy L <sub>10</sub> DFC (40 °C) see page 17	Curve
	m <sup>3</sup> /h	cfm													
AC 4300 H	204	120	115 / 230	50 / 60	85 ... 265	51	6.4	■	12	3 400	-20...+70	45 000 / 22 500	75 500	①	

Subject to change

Speed variants available on request.



Air performance measured according to: ISO 5801.  
Installation category A, without contact protection.  
Noise: Total sound power level L<sub>WA</sub> ISO 103002 measured on a hemisphere with a radius of 2 m.  
Sound pressure level L<sub>PA</sub> measured at 1 m distance from fan axis.  
The values given are applicable only under the specified measuring conditions and may differ depending on the installation conditions.  
In the event of deviation from the standard configuration, the parameters must be checked after installation!  
For detailed information see <http://www.ebmpapst.com/general-conditions>



## X-ON Electronics

Largest Supplier of Electrical and Electronic Components

*Click to view similar products for [EC Fans](#) category:*

*Click to view products by [ebm papst](#) manufacturer:*

Other Similar products are found below :

[N43-45001](#) [CF4113HBL-000U-ABD](#) [ACi4400H](#) [ACi4400L](#) [3238.500](#) [3241.500](#) [CF4113MBL-000U-AE9](#) [ACi4400HH](#) [ACI4400MLR](#)  
[8218J/2H3](#) [CF4113HBT-000U-ABD](#) [AC4300H](#) [ACi4410HH](#) [ACi4420H](#) [ACi4420HH](#) [ACI4420ML](#) [W1G200-EF01-01](#) [W1G230-EB97-01](#)  
[W1G250-BB17-01](#) [W3G250-CD54-01](#) [W3G280-EQ08-44](#) [W3G280-EQ20-43](#) [FMA1-06025WBHW12](#) [FMA1-08025WBHT12](#) [FMA1-](#)  
[08025WBHW12](#) [FMA1-08038WBHT12](#) [FMA1-09225WBHT12](#) [FMA1-09225WBHW12](#) [FMA1-09238WBHT12](#) [FMA1-09238WBHW12](#)  
[FMA1-12025WBHT12](#) [FMA1-12025WBHW12](#) [FMA1-12038WBHT12](#) [FMA1-12038WBHW12](#) [FMA1-12038WBJW12-A](#) [FMA1-](#)  
[17251WBHW32](#) [CF4113HBL-000U-AB9](#) [CF4113LBL-000U-AB9](#) [CF4113LBL-000U-ABD](#) [CF4113MBL-000U-AB9](#) [CF4113MBL-000U-](#)  
[ABD](#) [W1G250-BB21-01](#) [W2G107-AD01-13](#) [W2G107-AD03-13](#) [W1G200-EA95-68](#) [CF4113LBT-000U-A99](#) [CF4113MBL-000U-AA9](#)  
[CF4113MBT-000U-A99](#) [CF4113LBL-000U-AA9](#) [CF4113MBT-000U-AA9](#)