

BCI motor.

BCI-42.XX

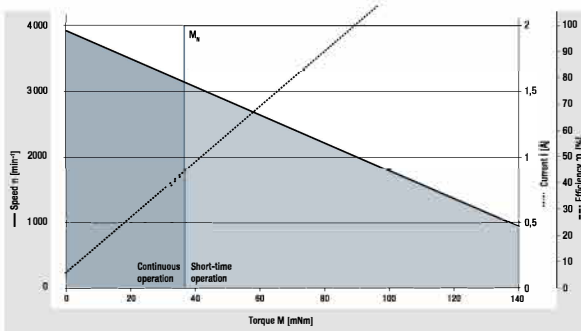


- Direct current motor with permanent magnets made of ceramic bound ferrite
- Mechanical commutation through 8-piece collector
- Closed steel motor housing with die-cast zinc bearing flanges
- Operation in both directions of rotation
- Service life 3 000 h for continuous operation (S1)
- Insulation class B
- Protection class IP 40, optionally higher

Nominal data					
Type		BCI-42.25-A00	BCI-42.25-B00	BCI-42.40-A00	BCI-42.40-B00
Nominal voltage (U_{BN})	V DC	12	24	12	24
Nominal speed (n_N)*	rpm	3 300	3 300	3 100	3 100
Nominal torque (M_N)*	mNm	38	38	57	57
Nominal current (I_{BN})*	A	1.90	0.96	2.50	1.10
Nominal output power (P_N)*	W	13	13	19	19
Rated efficiency, approx. (η_N)	%	60	60	63	70
Free-running speed (n_f)	rpm	4 000	3 900	3 850	3 600
Free-running current (I_{fL})	A	0.30	0.19	0.27	0.17
Starting torque (M_A)	mNm	200	190	330	320
Starting current (I_A)	A	7.60	4.00	11.2	5.90
Induced voltage (U_{imax})	V/1 000 rpm	2.74	5.50	3.04	6.40
Connection resistance (R_v)	Ohm	1.54	6.05	1.08	4.10
Connection inductance (L_v)	mH	2.20	8.90	1.20	5.10
Rotor moment of inertia (J_R)	kgm ² x 10 ⁻⁶	7.40	7.40	11.5	11.5
Heat resistance (R_{th})	K/W	4.80	4.80	4.75	4.75
Protection class**		IP 40			
Permissible ambient temperature range (T_U)	°C	0 ... +40			
Weight	kg	0.40	0.40	0.50	0.50
Order No.		on request	931 4225 001	on request	931 4240 062
Subject to alterations		* at T_U max. 40°C ** Classification of protection class refers to installed state with sealing on the flange side			

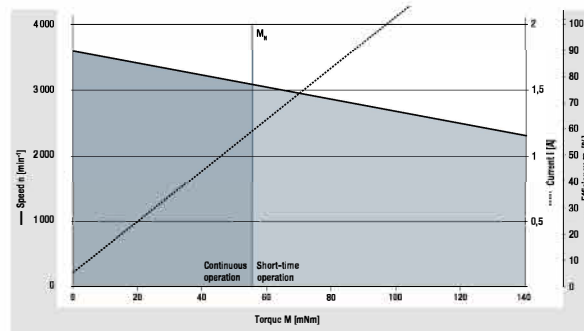
Characteristic curve

BCI-42.25, 24 V (at 25°C)



¹⁾ Nominal data, see table

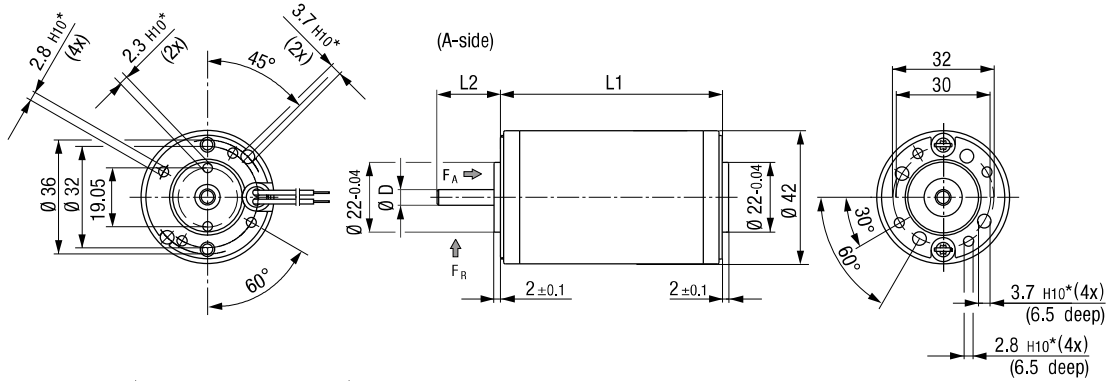
BCI-42.40, 24 V (at 25°C)



¹⁾ Nominal data, see table

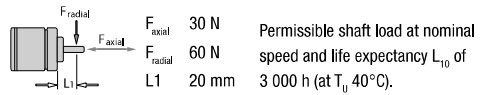
Technical drawing

Image standard type / All dimensions in mm



Shaft dimensions	$\emptyset D$ (A-side)	L2 (A-side)	$\emptyset D$ (B-side)	L (B-side)
Standard type	5_{g5}	20,0 mm	--	--
Preferred type	5_{g5}	14,5 mm	5_{g5}	15 mm

Type	L1
BCI-42,25	70 ± 0.5
BCI-42,40	85 ± 0.5



* Blind holes for thread-forming screws according to DIN 7500

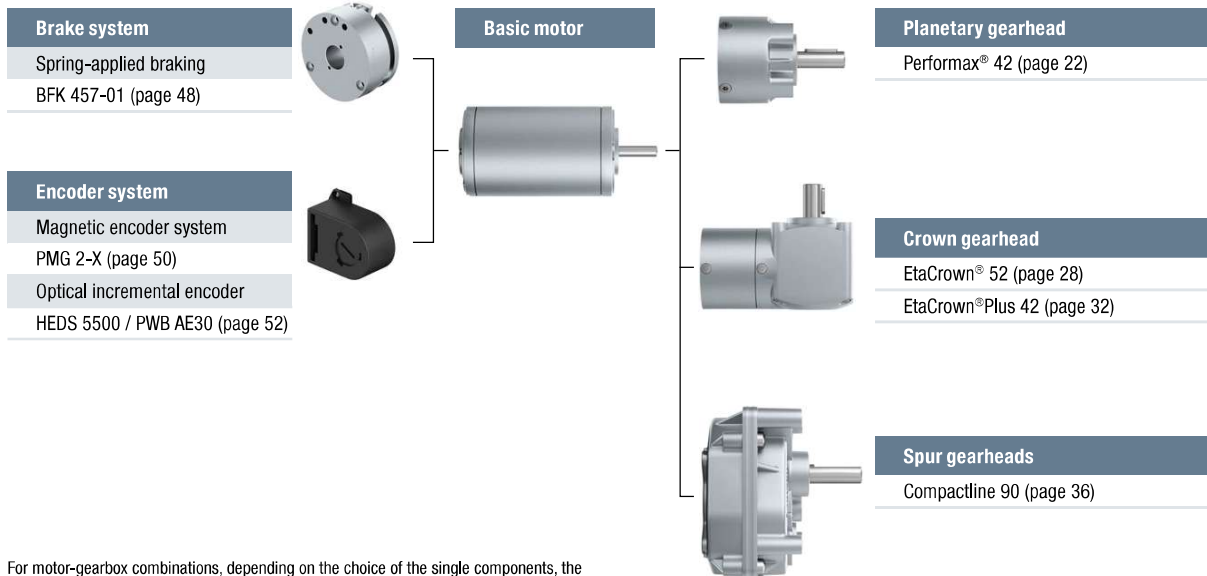
Electrical connection

Connection cable

Color	Function	
red	Power supply (+)	Cable length 300 ± 30 from motor Cable end 7 ± 2 stripped and tin-coated
black	GND (-)	

Change of the rotating direction is possible by polarity reversal of the wires

Modular construction kit



For motor-gearbox combinations, depending on the choice of the single components, the maximum allowable torque (gearbox) can be exceeded or respectively not reached.

X-ON Electronics

Largest Supplier of Electrical and Electronic Components

Click to view similar products for [AC, DC & Servo Motors](#) category:

Click to view products by [ebm papst](#) manufacturer:

Other Similar products are found below :

[M2E068-DF13-79](#) [79207644](#) [805470B40040MY](#) [80807028](#) [808070Y01125Z](#) [808550Y00049Z](#) [823055C10001MWY](#) [82520405](#) [82664024](#)
[82802504](#) [R88MK10030H](#) [M4E068-EC03-01](#) [M4E068-CF01-01](#) [79265119](#) [80510503](#) [805470A40040MY](#) [805470B40020MY](#) [80627003](#)
[808070Y00250Y](#) [808070Y83.33Y](#) [823055A20001MW](#) [825140A40010MP](#) [825290C43.75MX](#) [82714023](#) [82800003](#) [82830009](#) [82810017](#)
[R88M-K90010F-S2](#) [R88M-K1K030H-S2](#) [89830012](#) [82840003](#) [82840004](#) [82869011](#) [82524021](#) [82862202](#) [82869006](#) [82861013](#) [80803009](#)
[80547015](#) [82862205](#) [R88M-K40030T-B](#) [80527006](#) [82330514](#) [81021118](#) [82524004](#) [89800008](#) [82867009](#) [82662564](#) [82662515](#) [82600041](#)