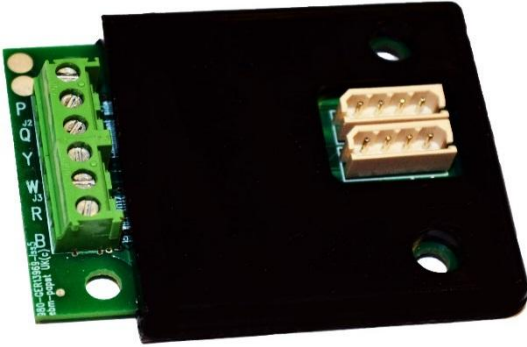


Part No	CPCXXVV10UN		
Description	A2P Fan Controller		
			
Issue	Date	Author	Comments
1	12/03/2018	F.Pagliarini	First Release

Safety Notice

⚠ CAUTION – Safety

- The controller is only suitable for a low voltage (10V to 57V DC) supply
- Electrical installations should only be carried out by qualified personnel
-

⚠ CAUTION – Electro-Static Discharge

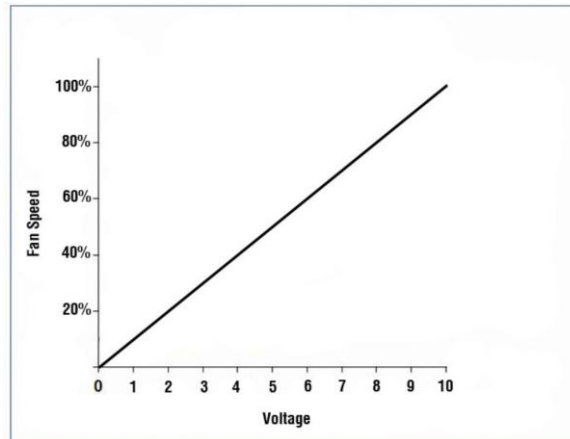
Many modern electronic components are susceptible to damage from Electro-Static Discharge (Static Electricity). During commissioning and/or programming, avoid unnecessary contact with electronic components on PCB's. PCB's which are sensitive to static discharges should be stored and transported in anti-static packaging until they are required to be used.

⚠ Warning – Do not operate in an explosive atmosphere

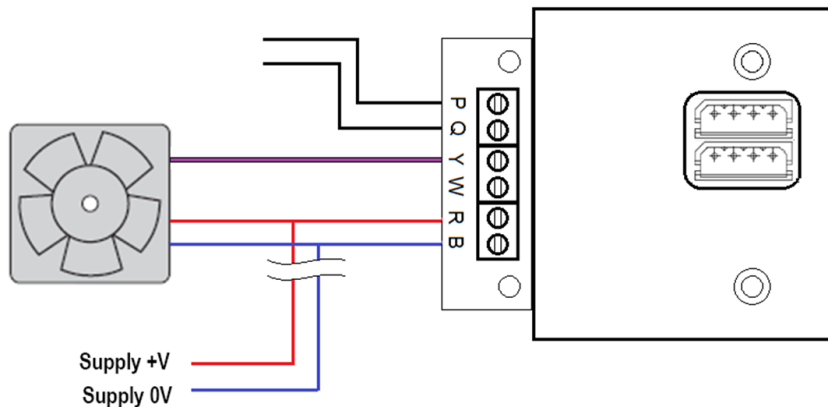
⚠ Warning – Fan may start during connection and programming. Secure fan safely before applying power

Part Number	CPCXXVV10UN
Supply Voltage	10V to 57V DC
Supply Current	Up to 1 mA (@10VDC), Up to 4.5mA (@57VDC)
Control Output	Open collector PWM at 8KHz
Control Input	0-10V DC (maximum 100kΩ load)
Maximum Number of Fans	400 x DC Fans (12-48Vdc)
Operating Temperature	-30°C to +60°C

Control Profile



Connections



Terminal	CPCXXV10MC
P	0-10V DC (maximum 100kΩ load)
Q	GND (0V)
Y	Open-Collector PWM Output at 8Khz
W	NC
R	10V to 57V DC supply
B	GND(0V)

Transport and Storage

- PCBs should be transported in anti-static build-up bag or static dissipative bags.
- Store in a dry environment
- Storage temperature: -30°C to +70°C.

Maintenance and Servicing

There are no user serviceable parts.

X-ON Electronics

Largest Supplier of Electrical and Electronic Components

Click to view similar products for [ebm papst](#) manufacturer:

Other Similar products are found below :

[3312M](#) [4114N](#) [W1G200-EA95-68](#) [DV6248U](#) [6224NT](#) [M4Q045-CA03-75](#) [M4Q045-CF01-75](#) [M4Q045-DA05-01](#) [66788-4-7320](#) [D2E133-DM27-D8](#) [8314S](#) [G2E140-AL30-48](#) [A4D350-AN08-02](#) [A4E330-AP18-13](#) [R1G225-AG15-11](#) [R2D270-AB12-09](#) [R2E220-AB08-12](#) [R3G310-AL09-30](#) [R4E400-AP15-10](#) [REF100-11/14](#) [RG90-18/14N](#) [9496-2-4039-1](#) [95779-1-5171](#) [A2D240-AA02-10](#) [A2D250-AA06-52](#) [A2E300-AP02-01](#) [A4E300-AS72-01](#) [G2E120-FV56-16](#) [G2E160-AY47-57](#) [QR06A-2/106349](#) [R1G250-AQ21-52](#) [R1G250-AQ37-52](#) [R2E180CH0312](#) [R2E225-BD92-36](#) [R3G175-AF25-02](#) [LZ27](#) [REF100-11/12](#) [RG125-19/12N/2](#) [RH31M-6/104372](#) [RH56M-6/204689](#) [RLF100-11/18](#) [D2E097-BI56-48](#) [55416.30320](#) [3314U](#) [K3G097-AK34-43](#) [D4E180-BA02-02](#) [4112NHH](#) [412FH-132](#) [W2E200-CI38-01](#) [W2E300-CP02-37](#)