

D1G133-DC17-52

# EC centrifugal fan

forward-curved, dual-intake  
with housing (without flange)



## ebm-papst Mulfingen GmbH & Co. KG

Bachmühle 2 · D-74673 Mulfingen

Phone +49 7938 81-0

Fax +49 7938 81-110

info1@de.ebmpapst.com

www.ebmpapst.com

Limited partnership · Headquarters Mulfingen

Amtsgericht (court of registration) Stuttgart · HRA 590344

General partner Elektrobau Mulfingen GmbH · Headquarters Mulfingen

Amtsgericht (court of registration) Stuttgart · HRB 590142

## Nominal data

Type	D1G133-DC17-52	
Motor	M1G074-CF	
Nominal voltage	VDC	48
Nominal voltage range	VDC	36 .. 57
Frequency	Hz	-
Method of obtaining data		fa
Speed (rpm)	min <sup>-1</sup>	1580
Power consumption	W	118
Current draw	A	3.0
Min. ambient temperature	°C	-25
Max. ambient temperature	°C	60

ml = Max. load · me = Max. efficiency · fa = Free air · cs = Customer specification · ce = Customer equipment  
Subject to change



# EC centrifugal fan

forward-curved, dual-intake  
with housing (without flange)

## Technical description

<b>Weight</b>	3.39 kg
<b>Fan size</b>	133 mm
<b>Rotor surface</b>	Painted black
<b>Impeller material</b>	Sheet steel, hot-dip galvanized
<b>Housing material</b>	Sheet steel, hot-dip galvanized
<b>Motor suspension</b>	Motor vibration-damped on both sides
<b>Direction of rotation</b>	Clockwise, viewed toward rotor
<b>Degree of protection</b>	IP42
<b>Insulation class</b>	"B"
<b>Moisture (F) / Environmental (H) protection class</b>	F0
<b>Max. permitted ambient temp. for motor (transport/storage)</b>	+ 80 °C
<b>Min. permitted ambient temp. for motor (transport/storage)</b>	- 40 °C
<b>Installation position</b>	Any
<b>Condensation drainage holes</b>	None
<b>Mode</b>	S1
<b>Motor bearing</b>	Ball bearing
<b>Technical features</b>	<ul style="list-style-type: none"> <li>- Control input 0-10 VDC / PWM</li> <li>- Tach output</li> <li>- Motor current limitation</li> <li>- Soft start</li> </ul>
<b>EMC immunity to interference</b>	According to EN 61000-6-2 (industrial environment)
<b>EMC interference emission</b>	According to EN 55022 (Class B)
<b>Motor protection</b>	Reverse polarity and locked-rotor protection
<b>With cable</b>	Variable
<b>Conformity with standards</b>	EN 60950-1
<b>Approval</b>	EAC; UL 1004-1; CSA C22.2 No. 77

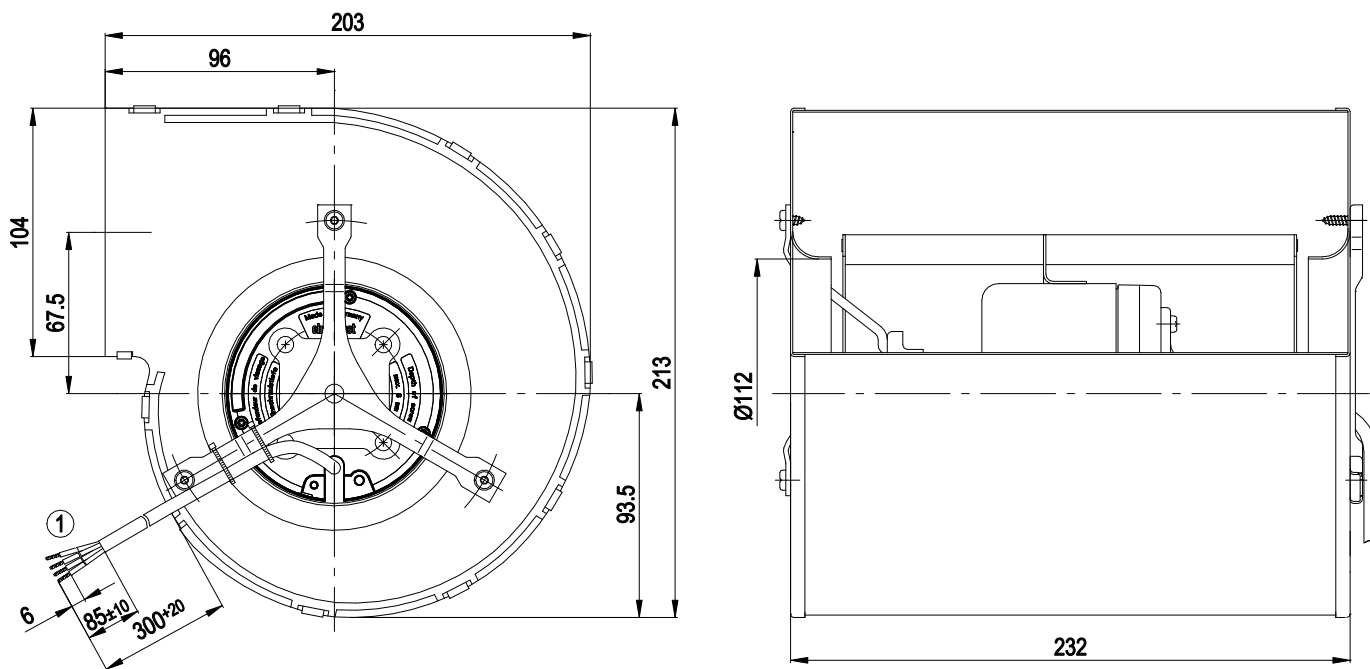


D1G133-DC17-52

# EC centrifugal fan

forward-curved, dual-intake  
with housing (without flange)

## Product drawing



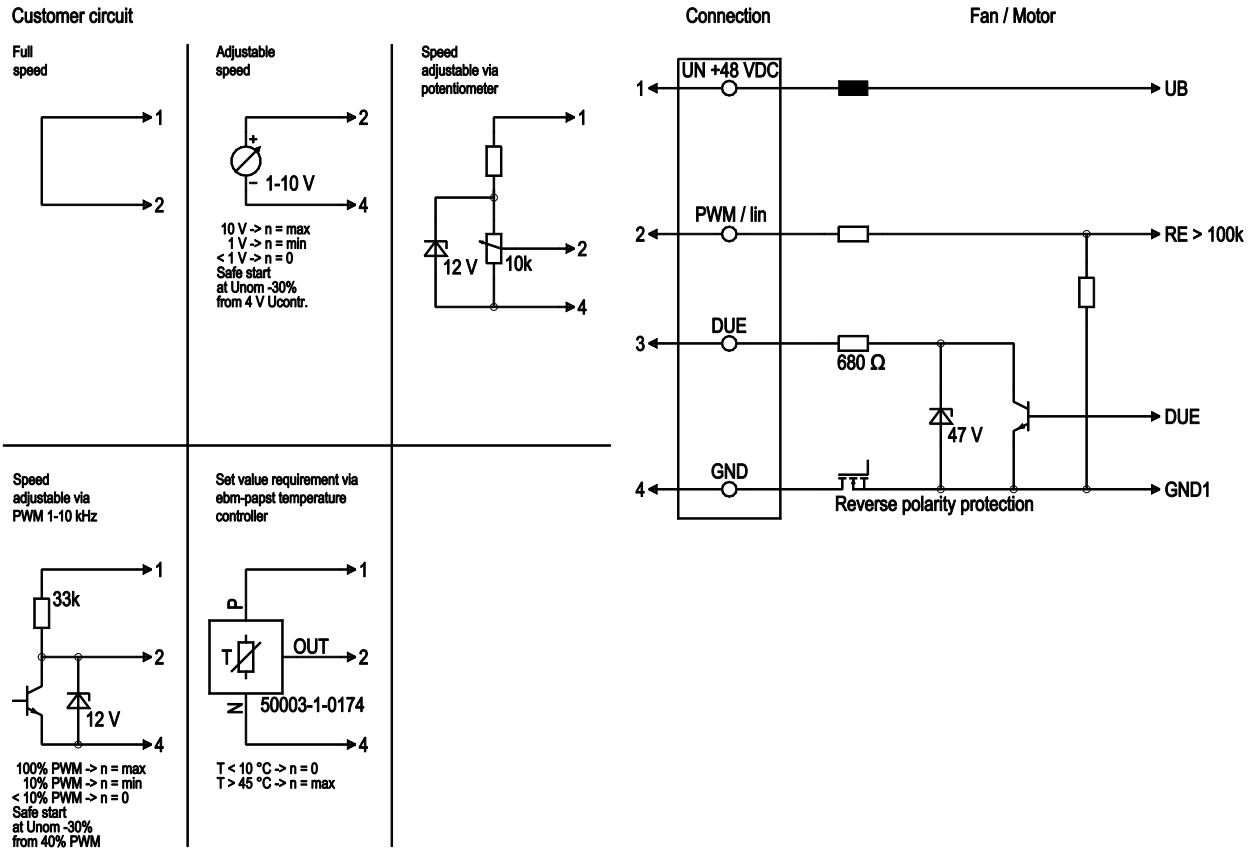
1 Cable PVC AWG20, 4x crimped splices



# EC centrifugal fan

forward-curved, dual-intake  
with housing (without flange)

## Connection diagram



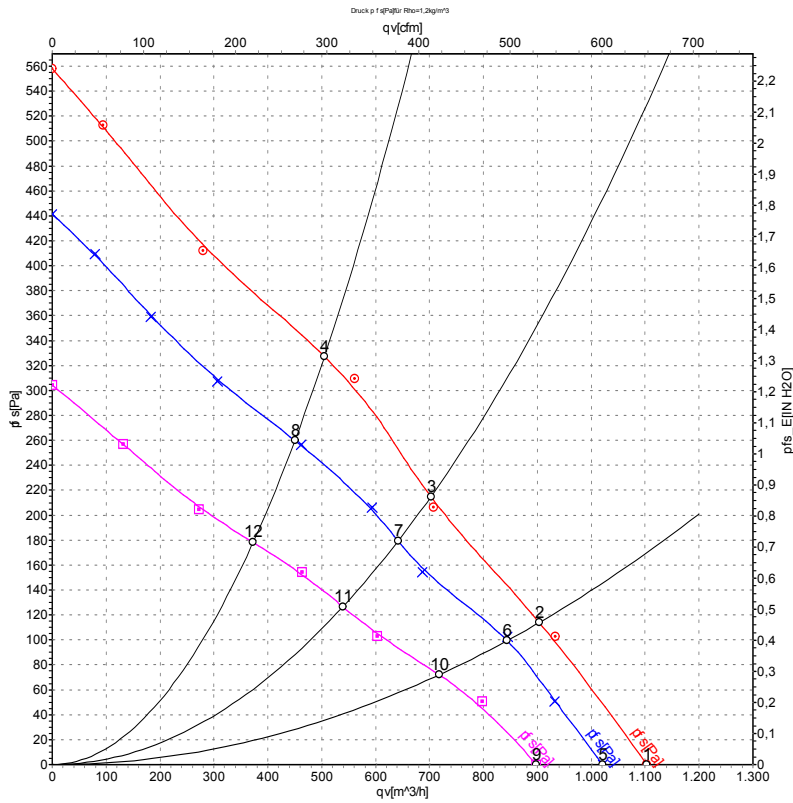
No.	Conn.	Designation	Color	Function/assignment
1	1	Un +48 VDC	red	Power supply 48 VDC, maximum ripple 3.5%
1	2	PWM / lin	yellow	PWM / lin. Control input 0-10 V
1	3	Tach	white	Tach output, 3 pulses per revolution, Isink max = 10 mA
1	4	GND	blue	Reference ground



# EC centrifugal fan

forward-curved, dual-intake  
with housing (without flange)

## Curves: Air performance



Measurement: LU-51340-1  
Measurement: LU-51339-1  
Measurement: LU-51341-1

Air performance measured according to ISO 5801 installation category A. For detailed information on the measurement setup, contact ebm-papst. Intake sound level: Sound power level according to ISO 13347 / sound pressure level measured at 1 m distance from fan axis. The values given are valid under the specified measuring conditions and may vary due to conditions of installation. For deviations from the standard configuration, the parameters have to be checked on the installed unit.

## Measured values

	U	n	P <sub>ed</sub>	I	qv	p <sub>fs</sub>	qv	p <sub>fs</sub>
	V	min <sup>-1</sup>	W	A	m <sup>3</sup> /h	Pa	CFM	inH <sub>2</sub> O
1	57	1700	145	3.32	1105	0	650	0.00
2	57	1925	134	2.94	905	117	530	0.47
3	57	2200	125	2.63	705	210	415	0.84
4	57	2520	114	2.34	505	330	295	1.32
5	48	1580	118	3.00	1020	0	600	0.00
6	48	1785	108	2.65	845	100	495	0.40
7	48	2040	99	2.40	640	180	380	0.72
8	48	2275	83	2.02	450	260	265	1.04
9	36	1405	79	2.50	900	0	530	0.00
10	36	1575	70	2.23	720	72	425	0.29
11	36	1725	59	1.90	540	126	315	0.51
12	36	1890	50	1.64	375	178	220	0.71

U = Power supply · n = Speed (rpm) · P<sub>ed</sub> = Power consumption · I = Current draw · qv = Air flow · p<sub>fs</sub> = Pressure increase



## X-ON Electronics

Largest Supplier of Electrical and Electronic Components

*Click to view similar products for [Blowers & Centrifugal Fans](#) category:*

*Click to view products by [ebm papst](#) manufacturer:*

Other Similar products are found below :

[MKEL-DRB](#) [R2D140-AB02-14](#) [R2D160-AC02-13](#) [R4D310-AS18-01](#) [R4D400-AD22-06](#) [R4E180-AS11-09](#) [R4S175-AA16-12](#) [AIF60112](#)  
[AIF801724](#) [RLF35-812N2P-103](#) [DOP-EXI014RAE](#) [BR300W400](#) [KFB1724VHT-AF00](#) [KFC1048DS-S45D](#) [AIF641714](#) [CME-COP01](#)  
[R1G220-AB07-09](#) [R2E180CH0312](#) [R2S150-AD08-09](#) [RD20S-4/210660](#) [RH56M-6/204689](#) [D2E146-CD51-09](#) [TP04G-AS2](#) [TP05G-BT2](#)  
[TP-PCC](#) [BR200W250](#) [D4E133-AA01-51](#) [D4E133-DH61-D1](#) [DFD0612H/SPECTRA](#) [DOP-EXI028RAE](#) [55462.19890](#) [K1G200-AA73-02](#)  
[G2D160-AF02-01](#) [G2E150-BA52-07](#) [G2S150-AB56-42](#) [D4E225-BC01-02](#) [R2D225-AV02-14](#) [D2E146-HT67-63](#) [K1G220-AA67-02](#)  
[55462.19140](#) [G2E140-AG02-05](#) [R3G190-AB23-02](#) [55410.91750](#) [55462.19891](#) [G3G160-AC70-01](#) [R1G120-AD17-11](#) [R3G250-AM70-01](#)  
[R2E225-RA02-47](#) [RER225-63/18/2TDMP](#) [R4E310-AO12-14](#)