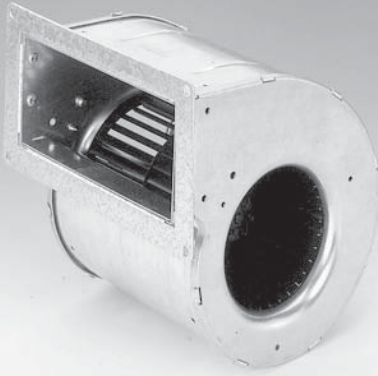


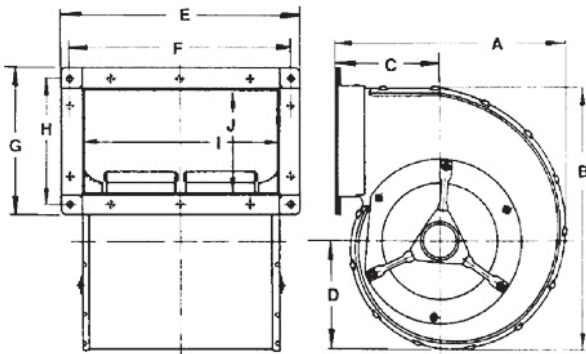
# D2E097 Series Centrifugal Blower

Ø 97mm



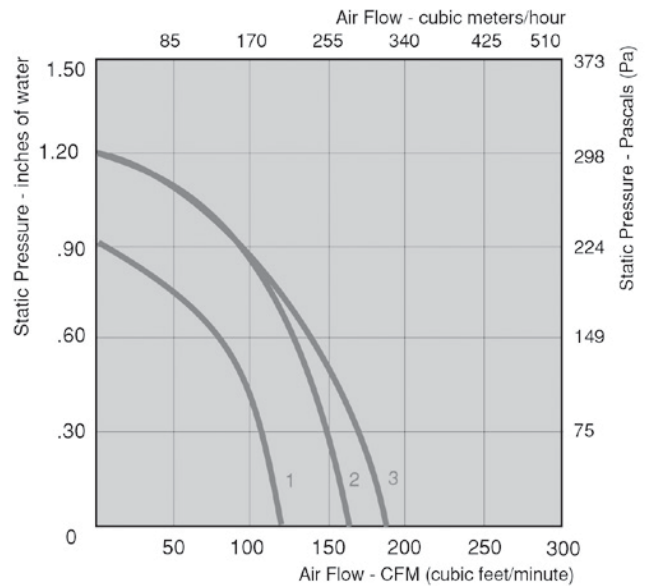
- AC dual inlet, forward curved centrifugal blower. Via a bracket, the integrated external-rotor motor is mounted on one side of the housing.
- Direction of rotation is CW as seen from inlet opposite the cable exit. Insulation class "B".
- Housing and impeller made of galvanised sheet-steel. Forward curved impellers are directly press-fitted onto the rotor of the external-rotor motor.
- Maintenance-free ball bearings.
- UL, CSA, VDE approvals on some models, please contact application engineering.

Part Number	Curve	CFM @ 0	VAC	Hertz	Power (W)	dB(A)	Max Amb. Temp. C	Bearing Type	Features	Capacitor (µF)	Wgt. (lbs)
D2E097-CB11-26	2	120	115	60	43	47	60	Ball	Leads	5	2.69
D2E097-CB11-32	2	120	115	50/60	43	47	60	Ball	Leads	5	2.69
D2E097-BE11-77	3	156	115	60	50	45	45	Ball	Leads	6	3.50
D2E097-CB01-02	1	106	230	50/60	42	47	60	Ball	Leads	1.5	2.88
D2E097-CB01-12	1	106	230	50/60	42	47	60	Ball	Leads	1.5	2.88
D2E097-BE01-65	3	156	230	50/60	54	47	50	Ball	Leads	2	3.31



DIMENSIONS - Inches (mm)

PART NUMBER	A	B	C	D	E	F	G	H	I	J
D2E097-CB	5.67 (144)	5.39 (137)	2.99 (76)	2.44 (62)	5.51 (140)	5.04 (128)	3.07 (78)	2.60 (66)	4.25 (108)	1.81 (46)
D2E097-BE	6.38 (162)	6.50 (165)	3.39 (86)	2.68 (68)	7.09 (180)	6.61 (168)	3.94 (100)	3.46 (88)	5.75 (146)	2.64 (67)



## X-ON Electronics

Largest Supplier of Electrical and Electronic Components

*Click to view similar products for [Blowers & Centrifugal Fans](#) category:*

*Click to view products by [ebm papst](#) manufacturer:*

Other Similar products are found below :

[MKEL-DRB](#) [R2D140-AB02-14](#) [R2D160-AC02-13](#) [R4D310-AS18-01](#) [R4D400-AD22-06](#) [R4E180-AS11-09](#) [R4S175-AA16-12](#) [AIF60112](#)  
[AIF801724](#) [RLF35-812N2P-103](#) [DOP-EXI014RAE](#) [BR300W400](#) [KFB1724VHT-AF00](#) [KFC1048DS-S45D](#) [AIF641714](#) [CME-COP01](#)  
[R1G220-AB07-09](#) [R2E180CH0312](#) [R2S150-AD08-09](#) [RD20S-4/210660](#) [RH56M-6/204689](#) [D2E146-CD51-09](#) [TP04G-AS2](#) [TP05G-BT2](#)  
[TP-PCC](#) [BR200W250](#) [D4E133-AA01-51](#) [D4E133-DH61-D1](#) [DFD0612H/SPECTRA](#) [DOP-EXI028RAE](#) [55462.19890](#) [K1G200-AA73-02](#)  
[G2D160-AF02-01](#) [G2E150-BA52-07](#) [G2S150-AB56-42](#) [D4E225-BC01-02](#) [R2D225-AV02-14](#) [D2E146-HT67-63](#) [K1G220-AA67-02](#)  
[55462.19140](#) [G2E140-AG02-05](#) [R3G190-AB23-02](#) [55410.91750](#) [55462.19891](#) [G3G160-AC70-01](#) [R1G120-AD17-11](#) [R3G250-AM70-01](#)  
[R2E225-RA02-47](#) [RER225-63/18/2TDMP](#) [R4E310-AO12-14](#)