

AC centrifugal fan

forward-curved, dual-intake

with housing (flange)

ebm-papst Mulfingen GmbH & Co. KG

Bachmühle 2 · D-74673 Mulfingen

Phone +49 7938 81-0

Fax +49 7938 81-110

info1@de.ebmpapst.com

www.ebmpapst.com

Limited partnership · Headquarters Mulfingen

Amtsgericht (court of registration) Stuttgart · HRA 590344

General partner Elektrobau Mulfingen GmbH · Headquarters Mulfingen

Amtsgericht (court of registration) Stuttgart · HRB 590142

Nominal data

Type	D2E133-DM47-94		
Motor	M2E068-DF		
Phase		1~	1~
Nominal voltage	VAC	230	230
Frequency	Hz	50	60
Method of obtaining data		fa	fa
Valid for approval/standard		-	-
Speed (rpm)	min ⁻¹	1150	1550
Power consumption	W	190	195
Current draw	A	0.84	0.85
Capacitor	µF	3	3
Capacitor voltage	VDB	450	450
Capacitor standard		S0 (CE)	S0 (CE)
Min. back pressure	Pa	0	100
Min. back pressure	in. wg	0	0.4
Min. ambient temperature	°C	-25	-25
Max. ambient temperature	°C	30	30

ml = Max. load · me = Max. efficiency · fa = Free air · cs = Customer specification · ce = Customer equipment
Subject to change



AC centrifugal fan

forward-curved, dual-intake
with housing (flange)

Technical description

Weight	4.2 kg
Fan size	133 mm
Rotor surface	Unpainted
Impeller material	Sheet steel, galvanized
Housing material	Sheet steel, galvanized
Motor suspension	Motor vibration-damped on both sides
Direction of rotation	Clockwise, viewed toward rotor
Degree of protection	IP44; installation- and position-dependent
Insulation class	"B"
Moisture (F) / Environmental (H) protection class	H0 - dry environment
Max. permitted ambient temp. for motor (transport/storage)	+ 80 °C
Min. permitted ambient temp. for motor (transport/storage)	- 40 °C
Installation position	Any
Condensation drainage holes	None
Mode	S1
Motor bearing	Ball bearing
Touch current according to IEC 60990 (measuring circuit Fig. 4, TN system)	< 0.75 mA
Motor protection	Thermal overload protector (TOP) internally connected
With cable	Axial
Protection class	I (with customer connection of protective earth)
Conformity with standards	EN 60335-1

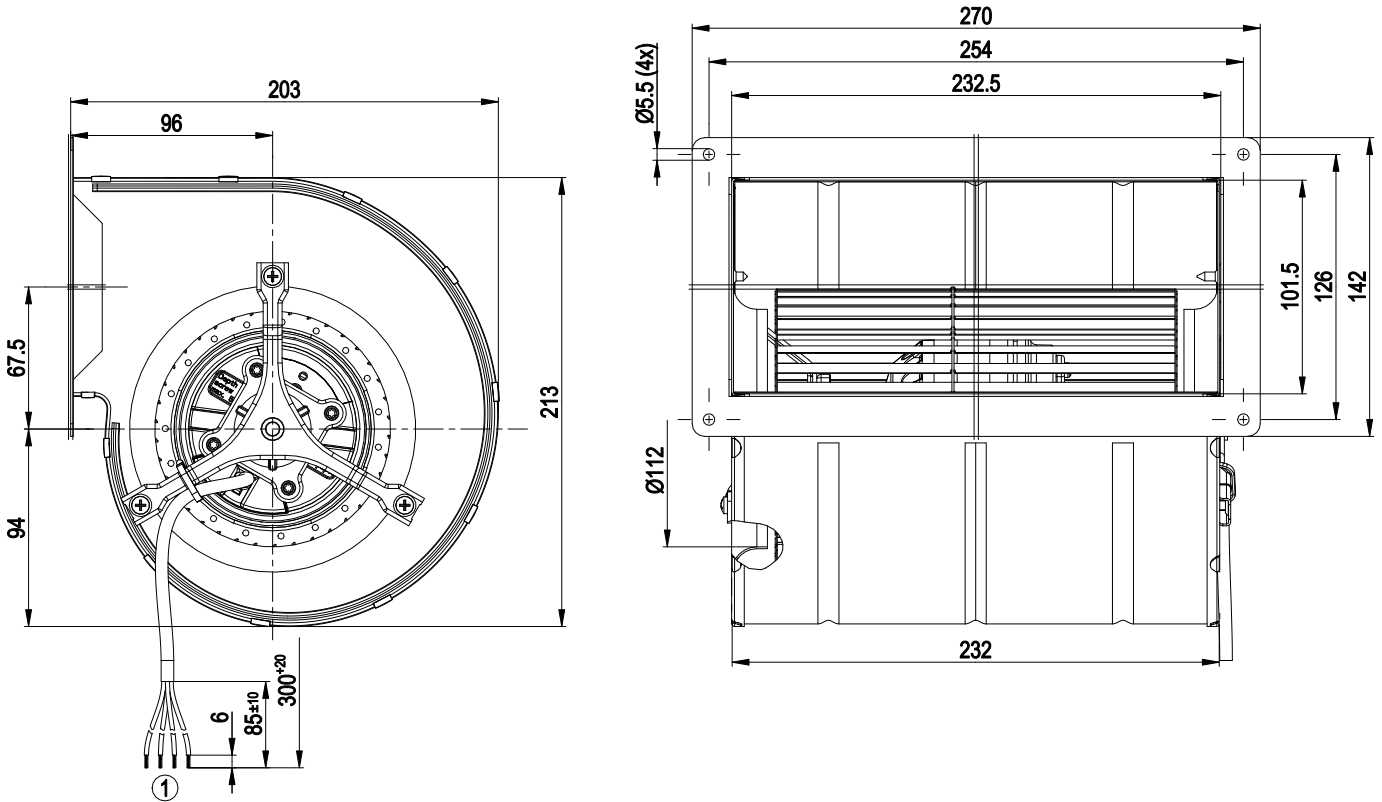


D2E133-DM47-94

AC centrifugal fan

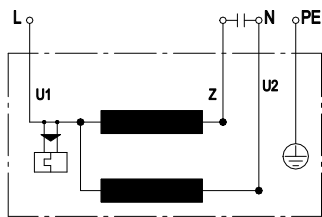
forward-curved, dual-intake
with housing (flange)

Product drawing



1 Cable PVC 4G 0.5 mm², 4x crimped splices

Connection diagram



U1	blue	Z	brown	U2	black
PE	green/yellow				

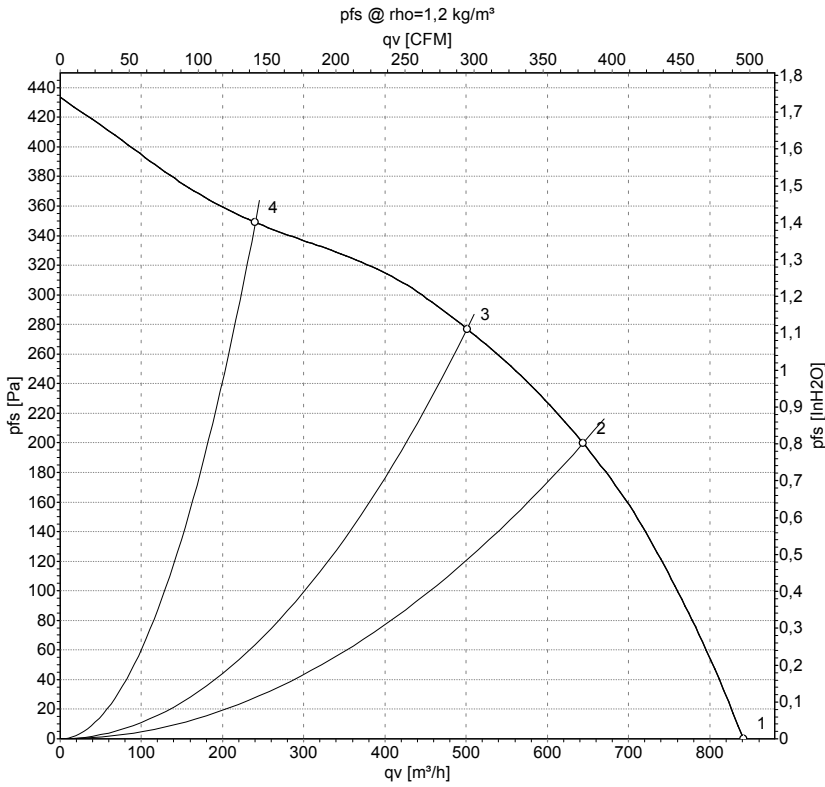


AC centrifugal fan

forward-curved, dual-intake

with housing (flange)

Curves: Air performance 50 Hz



Measurement: LU-105266-1

Air performance measured according to ISO 5801 installation category A. For detailed information on the measurement setup, contact ebm-papst. Intake sound level: Sound power level according to ISO 13347 / sound pressure level measured at 1 m distance from fan axis. The values given are valid under the specified measuring conditions and may vary due to conditions of installation. For deviations from the standard configuration, the parameters have to be checked on the installed unit.

Measured values

	U	f	n	P _e	I	q _v	p _{fs}	q _v	p _{fs}
	V	Hz	min ⁻¹	W	A	m ³ /h	Pa	cfm	in. wg
1	230	50	1150	190	0.84	840	0	495	0.00
2	230	50	1980	162	0.70	645	200	380	0.80
3	230	50	2275	146	0.63	500	275	295	1.10
4	230	50	2530	125	0.54	240	350	140	1.41

U = Power supply · f = Frequency · n = Speed (rpm) · P_e = Power consumption · I = Current draw · q_v = Air flow · p_{fs} = Pressure increase

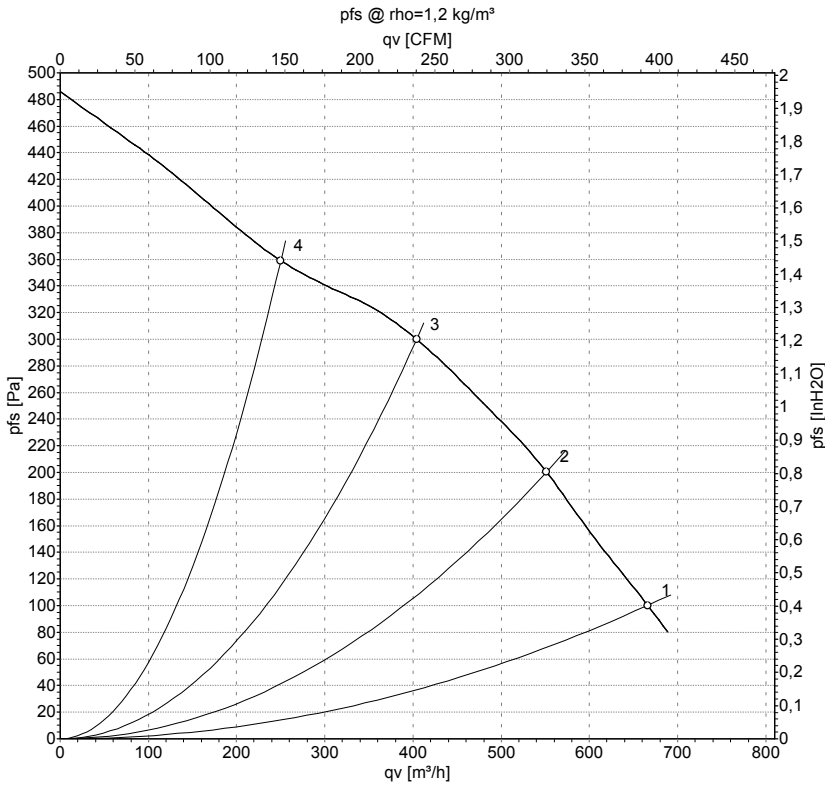


AC centrifugal fan

forward-curved, dual-intake

with housing (flange)

Curves: Air performance 60 Hz



Measurement: LU-105267-1

Air performance measured according to ISO 5801 installation category A. For detailed information on the measurement setup, contact ebm-papst. Intake sound level: Sound power level according to ISO 13347 / sound pressure level measured at 1 m distance from fan axis. The values given are valid under the specified measuring conditions and may vary due to conditions of installation. For deviations from the standard configuration, the parameters have to be checked on the installed unit.

Measured values

	U	f	n	P _e	I	q _v	p _{fs}	q _v	p _{fs}
	V	Hz	min ⁻¹	W	A	m ³ /h	Pa	cfm	in. wg
1	230	60	1550	195	0.85	665	100	390	0.40
2	230	60	1960	188	0.82	550	200	325	0.80
3	230	60	2355	181	0.78	405	300	240	1.20
4	230	60	2575	174	0.76	250	360	145	1.45

U = Power supply · f = Frequency · n = Speed (rpm) · P_e = Power consumption · I = Current draw · q_v = Air flow · p_{fs} = Pressure increase



X-ON Electronics

Largest Supplier of Electrical and Electronic Components

Click to view similar products for [Blowers](#) category:

Click to view products by [ebm papst](#) manufacturer:

Other Similar products are found below :

[G2E120-CR21-13](#) [R2D160-AC02-13](#) [R2D220-AA24-13](#) [RLF35-812N2P-103](#) [KFB1724VHT-AF00](#) [D4E133-AA01-51](#) [D4E133-DH61-D1](#)
[D4E180-BA04-18](#) [Z4.802.1680.0](#) [G3G120-BB13-02](#) [1398425-1](#) [R4E355-AK05-06](#) [D4E225-BC01-02](#) [R2D225-AV02-14](#) [D2E146-HT67-63](#)
[BFB0524HH-R00](#) [K1G220-AA67-02](#) [R3G133-AE17-02](#) [R3G190-AB23-02](#) [RER101-36/14N/2HHA-184](#) [G3G160-AC70-01](#) [R3G250-AM70-](#)
[01](#) [R2E160-AY47-10](#) [R2E180-AS77-40](#) [R87B-PF01](#) [R87F-A3A83H](#) [R87F-A4A15MP](#) [R87F-A6A93HP](#) [R87T-A6A07H](#) [MF50151VX-](#)
[B00U-A99](#) [BFB0512HH-T50F](#) [109BD12HA2](#) [109BD24HD2](#) [109BF12MA2](#) [109BF24HC2](#) [109BD12MC2](#) [109BF12HA2](#) [109BF12HC2](#)
[109BF24HD2](#) [R3G280-AF45-81](#) [BFB0724H-T500](#) [R87F-A3A15HP](#) [R87F-A4A93HP](#) [R87F-A3A93HP](#) [R2E140-AS77-05](#) [R2E180-AS77-22](#)
[R2E180-CB28-01](#) [14539GA-12N-AA-00](#) [R87F-A1A85HP](#) [R87F-A4A85HP](#)