

D2E160-AH02-15

AC centrifugal fan

forward-curved, dual-intake
with housing (without flange)

ebm-papst Mulfingen GmbH & Co. KG

Bachmühle 2 · D-74673 Mulfingen

Phone +49 7938 81-0

Fax +49 7938 81-110

info1@de.ebmpapst.com

www.ebmpapst.com

Limited partnership · Headquarters Mulfingen

Amtsgericht (court of registration) Stuttgart · HRA 590344

General partner Elektrobau Mulfingen GmbH · Headquarters Mulfingen

Amtsgericht (court of registration) Stuttgart · HRB 590142

Nominal data

| | | | |
|-----------------------------|-------------------|------|------|
| Type | D2E160-AH02-15 | | |
| Motor | M2E074-LA | | |
| Phase | | 1~ | 1~ |
| Nominal voltage | VAC | 230 | 230 |
| Frequency | Hz | 50 | 60 |
| Method of obtaining data | | ml | ml |
| Valid for approval/standard | | - | - |
| Speed (rpm) | min ⁻¹ | 2500 | 2400 |
| Power consumption | W | 550 | 730 |
| Current draw | A | 2.45 | 3.2 |
| Capacitor | µF | 12 | 12 |
| Capacitor voltage | VDB | 400 | 400 |
| Min. back pressure | Pa | 400 | 390 |
| Min. back pressure | in. wg | 1.61 | 1.57 |
| Min. ambient temperature | °C | -25 | -25 |
| Max. ambient temperature | °C | 90 | 50 |

ml = Max. load · me = Max. efficiency · fa = Free air · cs = Customer specification · ce = Customer equipment
Subject to change



AC centrifugal fan

forward-curved, dual-intake
with housing (without flange)

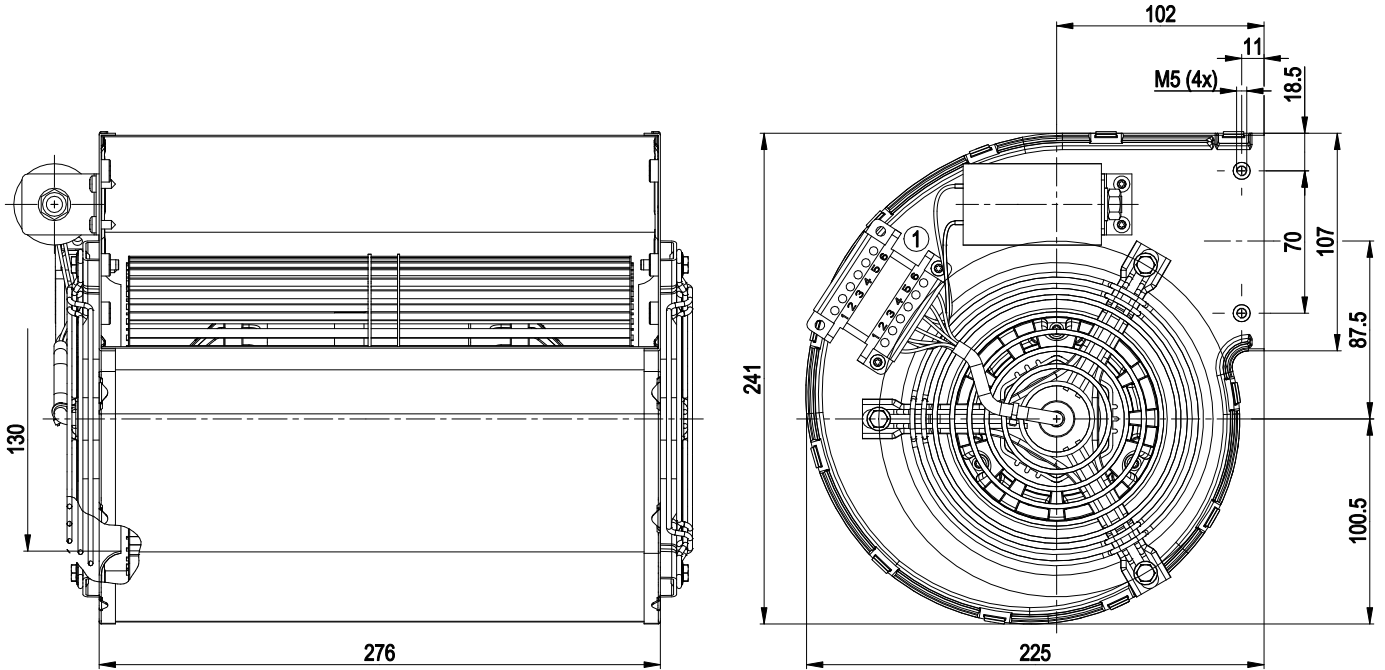
Technical description

| | |
|--|---|
| Weight | 9.7 kg |
| Size | 160 mm |
| Motor size | 74 |
| Rotor surface | Painted black |
| Impeller material | Sheet steel, galvanized |
| Housing material | Sheet steel, galvanized |
| Guard grille material | Steel, phosphated and coated with white-aluminum plastic (RAL 9006) |
| Motor suspension | Motor vibration-damped on both sides |
| Direction of rotation | Counterclockwise, viewed toward rotor |
| Degree of protection | IP00 |
| Insulation class | "F" |
| Moisture (F) / Environmental (H) protection class | F2-1 |
| Max. permitted ambient temp. for motor (transport/storage) | + 80 °C |
| Min. permitted ambient temp. for motor (transport/storage) | - 40 °C |
| Installation position | Shaft horizontal |
| Condensation drainage holes | None, open rotor |
| Mode | S1 |
| Motor mounting | Ball bearing |
| Touch current according to IEC 60990 (measuring circuit Fig. 4, TN system) | < 0.75 mA |
| Electrical hookup | Via terminal strip, capacitor connected |
| Motor protection | Thermal overload protector (TOP) with basic insulation |
| With cable | Axial |
| Pollution degree | 2 |
| Protection class | I (with customer connection of protective earth) |
| Motor capacitor according to EN 60252-1 in safety protection class | S0 |
| Conformity with standards | EN 60335-1 |
| Approval | CCC |
| Comment | Thermal overload protector with basic insulation |

AC centrifugal fan

forward-curved, dual-intake
with housing (without flange)

Product drawing



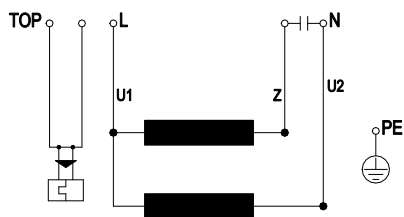
| No. | Conn. | Designation | Function/assignment |
|-----|-------|-------------|---|
| 1 | | | Header Weidmüller 1612070000 & header connector Weidmüller 1612080000 |
| | | | Terminal assignment: |
| | 1 | PE | green/yellow |
| | 2 | | brown + capacitor |
| | 3 | L | blue |
| | 4 | N | black + capacitor |
| | 5 | TOP | gray |
| | 6 | TOP | gray |



AC centrifugal fan

forward-curved, dual-intake
with housing (without flange)

Connection diagram

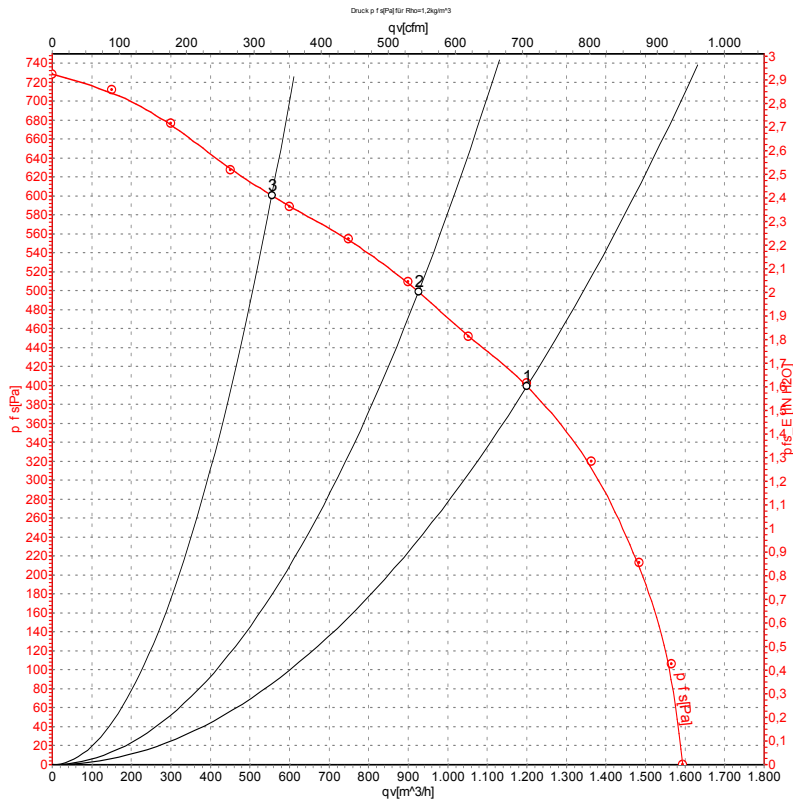


| | | | | | |
|-----|---------|----|--------------|---|-------|
| TOP | 2x gray | U1 | blue | Z | brown |
| U2 | black | PE | green/yellow | | |

AC centrifugal fan

forward-curved, dual-intake
with housing (without flange)

Curves: Air performance 50 Hz



Measurement: LU-109474-1

Air performance measured according to ISO 5801 installation category A. For detailed information on the measurement setup, contact ebm-papst. Intake sound level: Sound power level according to ISO 13347 / sound pressure level measured at 1 m distance from fan axis. The values given are valid under the specified measuring conditions and may vary due to conditions of installation. For deviations from the standard configuration, the parameters have to be checked on the installed unit.

Measured values

| | U | f | n | P _e | I | q _v | p _{fs} | q _v | p _{fs} |
|---|-----|----|-------------------|----------------|------|-------------------|-----------------|----------------|-----------------|
| | V | Hz | min ⁻¹ | W | A | m ³ /h | Pa | cfm | in. wg |
| 1 | 230 | 50 | 2500 | 550 | 2.45 | 1200 | 400 | 705 | 1.61 |
| 2 | 230 | 50 | 2630 | 515 | 2.35 | 925 | 500 | 545 | 2.01 |
| 3 | 230 | 50 | 2715 | 456 | 2.18 | 555 | 600 | 325 | 2.41 |

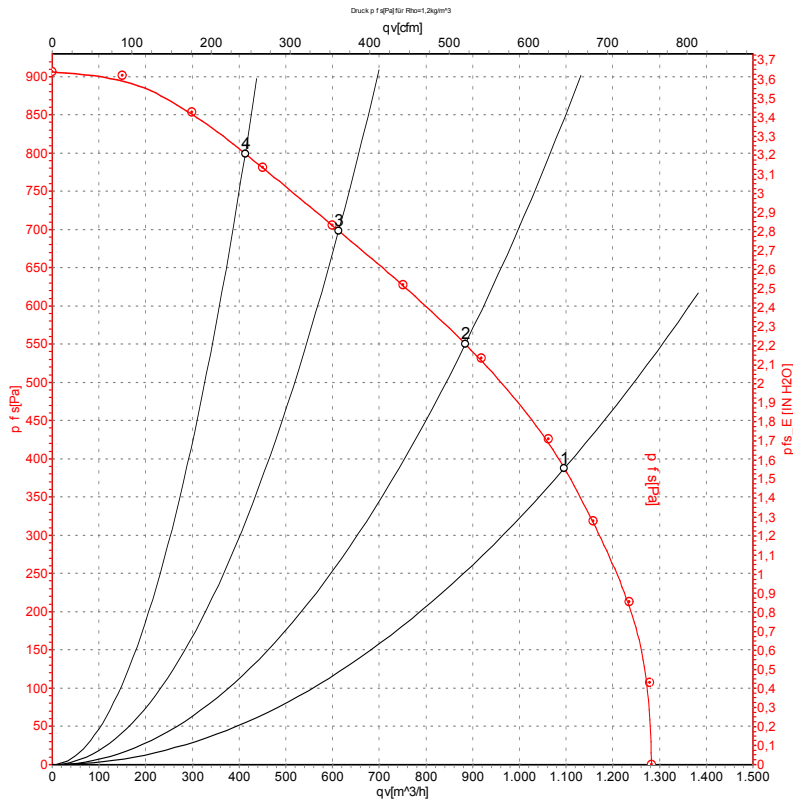
U = Power supply · f = Frequency · n = Speed (rpm) · P_e = Power consumption · I = Current draw · q_v = Air flow · p_{fs} = Pressure increase



AC centrifugal fan

forward-curved, dual-intake
with housing (without flange)

Curves: Air performance 60 Hz



Measurement: LU-109478-1

Air performance measured according to ISO 5801 installation category A. For detailed information on the measurement setup, contact ebm-papst. Intake sound level: Sound power level according to ISO 13347 / sound pressure level measured at 1 m distance from fan axis. The values given are valid under the specified measuring conditions and may vary due to conditions of installation. For deviations from the standard configuration, the parameters have to be checked on the installed unit.

Measured values

| | U | f | n | P _e | I | q _v | P _{fs} | q _v | P _{fs} |
|---|-----|----|-------------------|----------------|------|-------------------|-----------------|----------------|-----------------|
| | V | Hz | min ⁻¹ | W | A | m ³ /h | Pa | cfm | in. wg |
| 1 | 230 | 60 | 2400 | 730 | 3.20 | 1095 | 390 | 645 | 1.57 |
| 2 | 230 | 60 | 2715 | 698 | 3.05 | 885 | 550 | 520 | 2.21 |
| 3 | 230 | 60 | 2940 | 663 | 2.94 | 615 | 700 | 360 | 2.81 |
| 4 | 230 | 60 | 3050 | 640 | 2.88 | 415 | 800 | 245 | 3.21 |

U = Power supply · f = Frequency · n = Speed (rpm) · P_e = Power consumption · I = Current draw · q_v = Air flow · P_{fs} = Pressure increase



X-ON Electronics

Largest Supplier of Electrical and Electronic Components

Click to view similar products for [Blowers & Centrifugal Fans](#) category:

Click to view products by [ebm papst](#) manufacturer:

Other Similar products are found below :

[MKEL-DRB](#) [R2D140-AB02-14](#) [R2D160-AC02-13](#) [R4D310-AS18-01](#) [R4D400-AD22-06](#) [R4E180-AS11-09](#) [R4S175-AA16-12](#) [AIF60112](#)
[AIF801724](#) [RLF35-812N2P-103](#) [DOP-EXI014RAE](#) [BR300W400](#) [KFB1724VHT-AF00](#) [KFC1048DS-S45D](#) [AIF641714](#) [CME-COP01](#)
[R1G220-AB07-09](#) [R2E180CH0312](#) [R2S150-AD08-09](#) [RD20S-4/210660](#) [RH56M-6/204689](#) [D2E146-CD51-09](#) [TP04G-AS2](#) [TP05G-BT2](#)
[TP-PCC](#) [BR200W250](#) [D4E133-AA01-51](#) [D4E133-DH61-D1](#) [DFD0612H/SPECTRA](#) [DOP-EXI028RAE](#) [55462.19890](#) [K1G200-AA73-02](#)
[G2D160-AF02-01](#) [G2E150-BA52-07](#) [G2S150-AB56-42](#) [D4E225-BC01-02](#) [R2D225-AV02-14](#) [D2E146-HT67-63](#) [K1G220-AA67-02](#)
[55462.19140](#) [G2E140-AG02-05](#) [R3G190-AB23-02](#) [55410.91750](#) [55462.19891](#) [G3G160-AC70-01](#) [R1G120-AD17-11](#) [R3G250-AM70-01](#)
[R2E225-RA02-47](#) [RER225-63/18/2TDMP](#) [R4E310-AO12-14](#)