

D4E180-CA02-36

AC centrifugal fan

forward-curved, dual-intake

with housing (large flange)

ebm-papst Mulfingen GmbH & Co. KG

Bachmühle 2 · D-74673 Mulfingen

Phone +49 7938 81-0

Fax +49 7938 81-110

info1@de.ebmpapst.com

www.ebmpapst.com

Limited partnership · Headquarters Mulfingen

Amtsgericht (court of registration) Stuttgart · HRA 590344

General partner Elektrobau Mulfingen GmbH · Headquarters Mulfingen

Amtsgericht (court of registration) Stuttgart · HRB 590142

Nominal data

| | | |
|-----------------------------|-------------------|------|
| Type | D4E180-CA02-36 | |
| Motor | M4E068-LA | |
| Phase | | 1~ |
| Nominal voltage | VAC | 230 |
| Frequency | Hz | 60 |
| Method of obtaining data | | fa |
| Valid for approval/standard | | CE |
| Speed (rpm) | min ⁻¹ | 1300 |
| Power consumption | W | 495 |
| Current draw | A | 2.15 |
| Capacitor | µF | 10 |
| Capacitor voltage | VDB | 400 |
| Min. back pressure | Pa | 0 |
| Min. back pressure | in. wg | 0 |
| Min. ambient temperature | °C | -25 |
| Max. ambient temperature | °C | 35 |

ml = Max. load · me = Max. efficiency · fa = Free air · cs = Customer specification · ce = Customer equipment
Subject to change



AC centrifugal fan

forward-curved, dual-intake
with housing (large flange)

Technical description

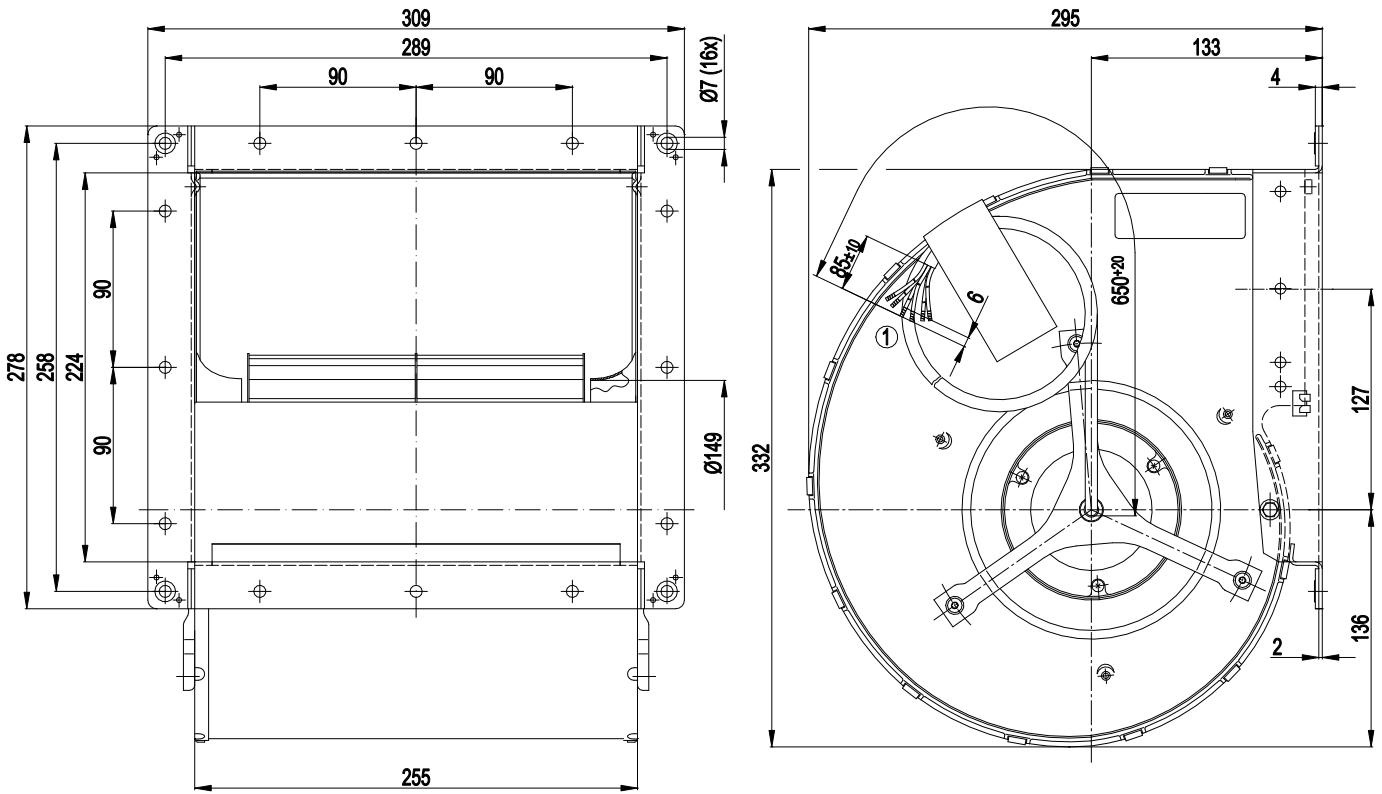
| | |
|--|--|
| Weight | 10.3 kg |
| Size | 180 mm |
| Motor size | 68 |
| Rotor surface | Painted black |
| Impeller material | Sheet steel, hot-dip galvanized |
| Housing material | Sheet steel, hot-dip galvanized |
| Direction of rotation | Counterclockwise, viewed toward rotor |
| Degree of protection | IP44; installation- and position-dependent |
| Insulation class | "B" |
| Moisture (F) / Environmental (H) protection class | F3-1; H1+ |
| Max. permitted ambient temp. for motor (transport/storage) | + 80 °C |
| Min. permitted ambient temp. for motor (transport/storage) | - 40 °C |
| Installation position | Any |
| Condensation drainage holes | None |
| Mode | S1 |
| Motor bearing | Ball bearing |
| Touch current according to IEC 60990 (measuring circuit Fig. 4, TN system) | < 0.75 mA |
| Motor protection | Thermal overload protector (TOP) with basic insulation |
| With cable | Axial |
| Protection class | I (with customer connection of protective earth) |
| Conformity with standards | EN 60335-1; CE |
| Approval | UL 1004-1; CSA C22.2 No. 100; CCC |



AC centrifugal fan

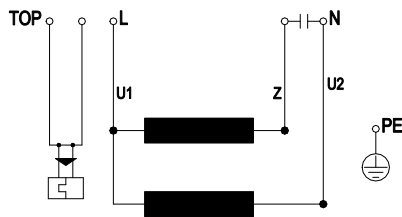
forward-curved, dual-intake
with housing (large flange)

Product drawing



1 Cable PFA AWG 20 (green/yellow AWG 18), 6x crimped splices; taped to housing for transport.

Connection diagram



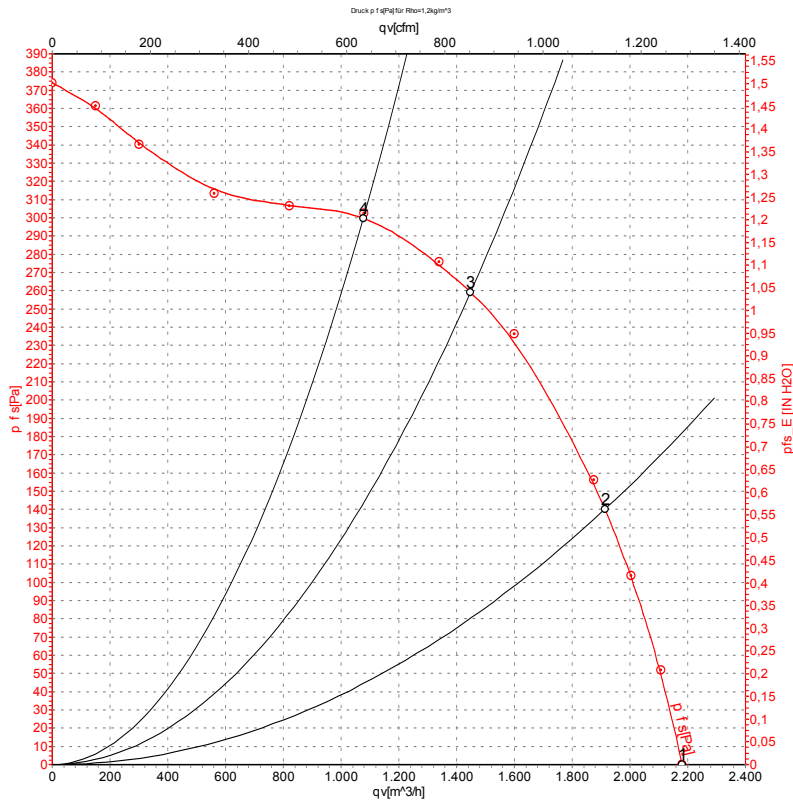
| | | | | | |
|-----|---------|----|--------------|---|-------|
| TOP | 2x gray | U1 | blue | Z | brown |
| U2 | black | PE | green/yellow | | |



AC centrifugal fan

forward-curved, dual-intake
with housing (large flange)

Curves: Air performance 60 Hz



Measurement: LU-105032-1

Air performance measured according to ISO 5801 installation category A. For detailed information on the measurement setup, contact ebm-papst. Intake sound level: Sound power level according to ISO 13347 / sound pressure level measured at 1 m distance from fan axis. The values given are valid under the specified measuring conditions and may vary due to conditions of installation. For deviations from the standard configuration, the parameters have to be checked on the installed unit.

Measured values

| | U | f | n | P _e | I | q _v | p _{fs} | q _v | p _{fs} |
|---|-----|----|-------------------|----------------|------|-------------------|-----------------|----------------|-----------------|
| | V | Hz | min ⁻¹ | W | A | m ³ /h | Pa | cfm | in. wg |
| 1 | 230 | 60 | 1280 | 495 | 2.16 | 2180 | 0 | 1285 | 0.00 |
| 2 | 230 | 60 | 1470 | 410 | 1.79 | 1915 | 140 | 1125 | 0.56 |
| 3 | 230 | 60 | 1600 | 331 | 1.48 | 1450 | 260 | 850 | 1.04 |
| 4 | 230 | 60 | 1660 | 280 | 1.29 | 1075 | 300 | 635 | 1.20 |

U = Voltage · f = Frequency · n = Speed (rpm) · P_e = Power consumption · I = Current draw · q_v = Air flow · p_{fs} = Pressure increase



X-ON Electronics

Largest Supplier of Electrical and Electronic Components

Click to view similar products for [Blowers & Centrifugal Fans](#) category:

Click to view products by [ebm papst](#) manufacturer:

Other Similar products are found below :

[MKEL-DRB](#) [R2D140-AB02-14](#) [R2D160-AC02-13](#) [R4D310-AS18-01](#) [R4D400-AD22-06](#) [R4E180-AS11-09](#) [R4S175-AA16-12](#) [AIF60112](#)
[AIF801724](#) [RLF35-812N2P-103](#) [DOP-EXI014RAE](#) [BR300W400](#) [KFB1724VHT-AF00](#) [KFC1048DS-S45D](#) [AIF641714](#) [CME-COP01](#)
[R1G220-AB07-09](#) [R2E180CH0312](#) [R2S150-AD08-09](#) [RD20S-4/210660](#) [RH56M-6/204689](#) [D2E146-CD51-09](#) [TP04G-AS2](#) [TP05G-BT2](#)
[TP-PCC](#) [BR200W250](#) [D4E133-AA01-51](#) [D4E133-DH61-D1](#) [DFD0612H/SPECTRA](#) [DOP-EXI028RAE](#) [55462.19890](#) [K1G200-AA73-02](#)
[G2D160-AF02-01](#) [G2E150-BA52-07](#) [G2S150-AB56-42](#) [D4E225-BC01-02](#) [R2D225-AV02-14](#) [D2E146-HT67-63](#) [K1G220-AA67-02](#)
[55462.19140](#) [G2E140-AG02-05](#) [R3G190-AB23-02](#) [55410.91750](#) [55462.19891](#) [G3G160-AC70-01](#) [R1G120-AD17-11](#) [R3G250-AM70-01](#)
[R2E225-RA02-47](#) [RER225-63/18/2TDMP](#) [R4E310-AO12-14](#)