

Max. 320 m<sup>3</sup>/h

# DC diagonal fan

□ 127 x 38 mm



- **Material:** Housing: GRP<sup>1)</sup> (PBT)  
Available in Die-cast aluminum  
Metal flange  
Impeller: GRP<sup>1)</sup> (PA)
  - **Direction of air flow:** Exhaust over struts
  - **Direction of rotation:** Counterclockwise, looking towards rotor
  - **Connection:** Via single wires AWG 22, TR 64
  - **Highlights:** Housing with grounding lug for screw M4 x 8 (Torx)
  - **Weight:** 415 g (with metal housing: 490 g)
- **Possible special versions:** (See chapter DC fans - specials)
    - Speed signal
    - Go / NoGo alarm
    - Alarm with speed limit
    - External temperature sensor
    - Internal temperature sensor
    - PWM control input
    - Analog control input
    - Moisture protection
    - Salt spray protection
    - Degree of protection: IP 54

1) Fiberglass-reinforced plastic

Series DV 5200

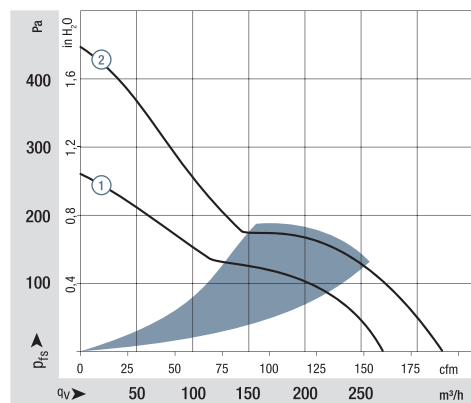
## Nominal data

Type	Air flow		Nominal voltage	Voltage range	Sound pressure level	Sound power level	Sinter sleeve bearings Ball bearings	Power consumption*	Nominal speed	Temperature range	Service life L <sub>10</sub> (40 °C) ebm-papst standard	Service life L <sub>10</sub> (T <sub>max</sub> ) ebm-papst standard	Life expectancy L <sub>10</sub> (IPC (40 °C) see page 17	Curve
	m <sup>3</sup> /h	cfm												
DV 5212 N	270	159	12	9...15	56	6.4	■	21.0	5 000	-20...+65	70 000 / 40 000	117 500	①	
DV 5214 N	270	159	24	16...30	56	6.4	■	20.4	5 000	-20...+65	70 000 / 40 000	117 500	①	
DV 5218 N	270	159	48	36...60	56	6.4	■	18.5	5 000	-20...+65	70 000 / 40 000	117 500	①	
<b>Standard model comes with speed signal and PWM control input. Other versions by request.</b>														
DV 5214/2 HP	320	188	24	16...30	62	7.2	■	38.5	6 000	-20...+65	62 500 / 35 000	105 000	②	

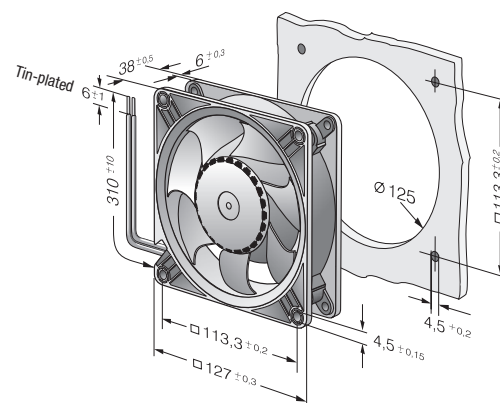
Subject to change

Speed control range from 1000 rpm<sup>-1</sup> up to maximum nominal speed.  
Standstill at 0% PWM, maximum speed if control cable is interrupted.

\* Power consumption at free air flow. These values can be significantly higher in the operating point.



Air performance measured according to: ISO 5801.  
Installation category A, without contact protection.  
Noise: Total sound power level L<sub>WA</sub> ISO 103002 measured on a hemisphere with a radius of 2 m.  
Sound pressure level L<sub>pA</sub> measured at 1 m distance from fan axis.  
The values given are applicable only under the specified measuring conditions and may differ depending on the installation conditions.  
In the event of deviation from the standard configuration, the parameters must be checked after installation!  
For detailed information see <http://www.ebmpapst.com/general-conditions>



## X-ON Electronics

Largest Supplier of Electrical and Electronic Components

*Click to view similar products for [DC Fans](#) category:*

*Click to view products by [ebm papst](#) manufacturer:*

Other Similar products are found below :

[614R](#) [6424/2HP-210](#) [8312R](#) [DV4118/2NP-183](#) [AFB0948HH-S687](#) [PFB0824DHE-8B72](#) [G2E085-AA05-10](#) [RD20S-4/210660](#) [4318/12T](#)  
[4418HH](#) [AUB0912H-F00](#) [3412N/2ME](#) [K2E225-RA92-09](#) [6222N](#) [3610KL-04W-B40-D00](#) [A-FLT84](#) [8412NGL-12](#) [4114N/12HHR-297](#)  
[4656](#) [ZWR-903](#) [4112N12GL-175](#) [KD2406PKB2.\(2\).GN](#) [AFB1248HHE](#) [AFB1212LE-F00](#) [FAN-SCH-1](#) [EF92252S1-1000U-G99](#)  
[PF80252V1-1000U-G99](#) [4114N/17-251](#) [6212NH](#) [622/2N](#) [712F-011](#) [8218J/2NP-181](#) [W1G180-AB47-15](#) [6318N/2H3PU](#) [6318HU](#) [424JMU](#)  
[PMD1206PTVX-A.U.GN](#) [PF80251B2-000U-F99](#) [AD1224LB-A71GL](#) [9GA0924L4021](#) [9GA0924M4021](#) [9GA0924M4011](#) [9GA0824B20011](#)  
[9GA0812A2D0011](#) [9GA0912M4D011](#) [9GA0924W4D01](#) [9GA0912F4021](#) [9GA0912F402](#) [9GA0912H4D011](#) [9GA0824L20021](#)  
[9GA0824L20011](#)