

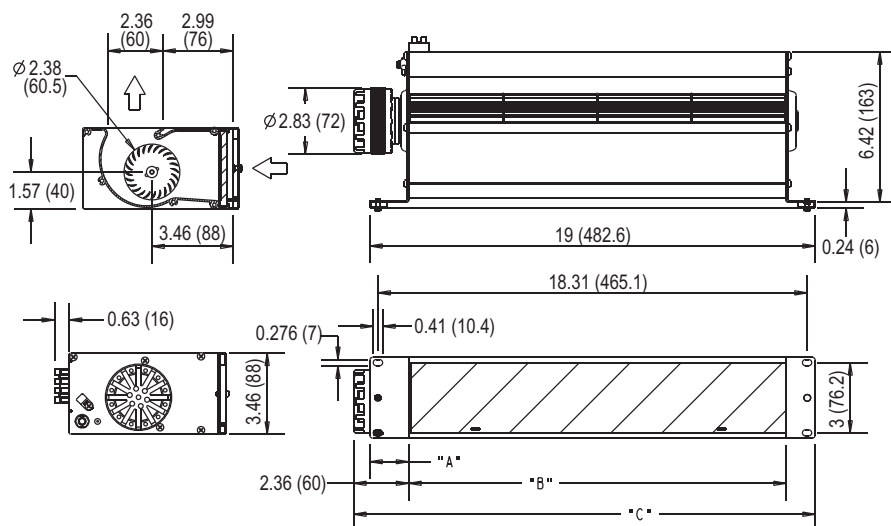
FE1Q060 Series Crossflow Blower

380... 409mm x Ø 60mm Impeller

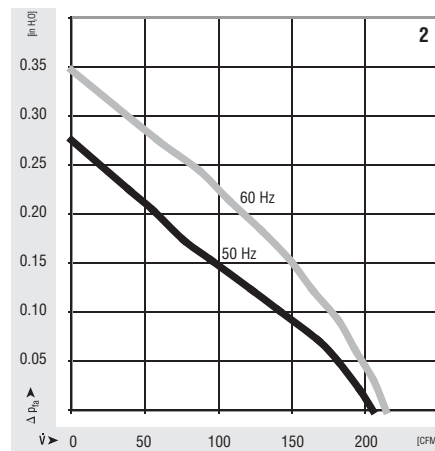
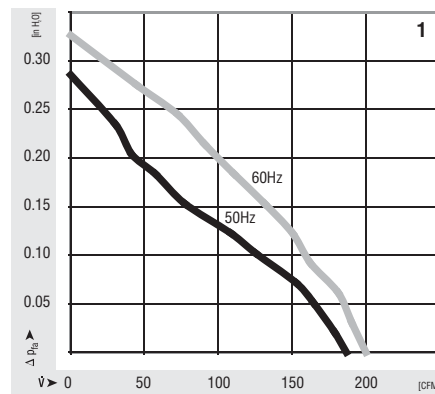


- Impeller made of aluminum
- PSC (permanent split capacitor) motor. Bearings in motor and counter-bearing are all ball-bearing.
- Extrusion made of aluminum
- End plates finished in black powder coat paint
- UL recognition, CE
- Electrical connections via a terminal block
- Blowers with grill include filter media

Part Number	Curve	VAC	Hertz	Airflow (CFM)*	Power Input (W)*	Noise (dBA)	Max Amb. Temp. °C	Weight (lbs.)	Grill	in.(mm)		
										A	B	C
FE1Q-115-060-01	2	115	60	215	32	55	60	5.0	Yes	1.65(42)	16.10(409)	19.69(500)
FE1Q-115-060-02	1	115	60	200	31	56	60	5.0	Yes	1.65(42)	14.96(380)	19.69(500)
FE1Q-230-060-01	2	230	50/60	205/215	30/39	55	60	4.5	No	1.65(42)	16.10(409)	19.69(500)
FE1Q-230-060-02	2	230	50/60	205/215	30/39	55	60	5.0	Yes	1.65(42)	16.10(409)	19.69(500)
FE1Q-230-060-03	1	230	50/60	188/200	29/38	54/56	60	4.5	No	3.03(77)	14.96(380)	18.54(471)
FE1Q-230-060-04	1	230	50/60	188/200	29/38	54/56	60	5.0	Yes	3.03(77)	14.96(380)	18.54(471)



* Data based on free delivery conditions. Subject to alterations.



FE1Q060 Series Crossflow Blower

Accessories - Grill

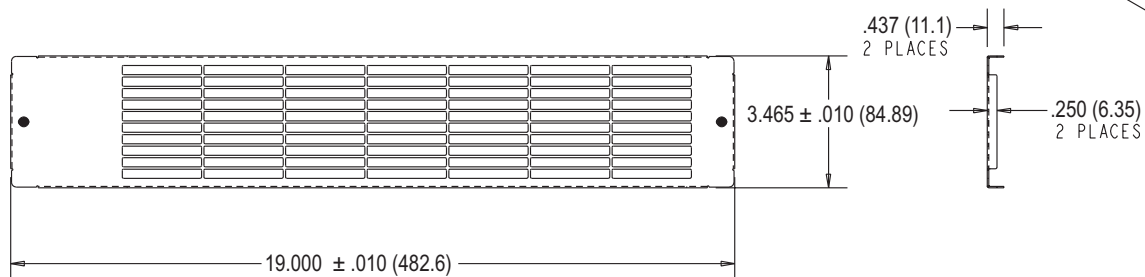
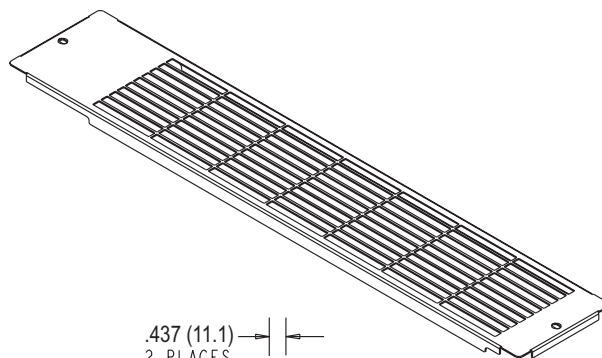


■ Available accessories:

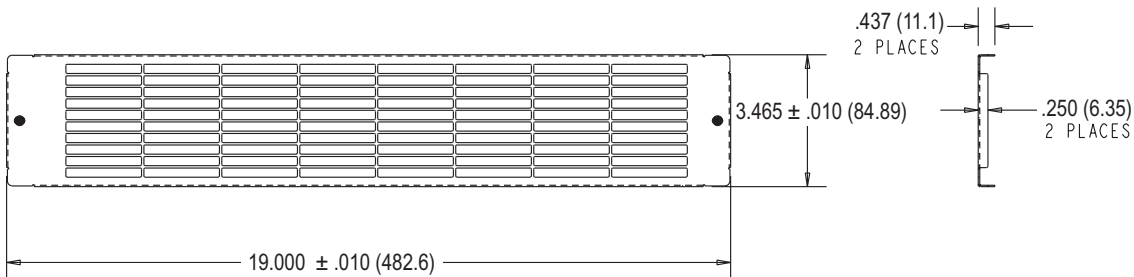
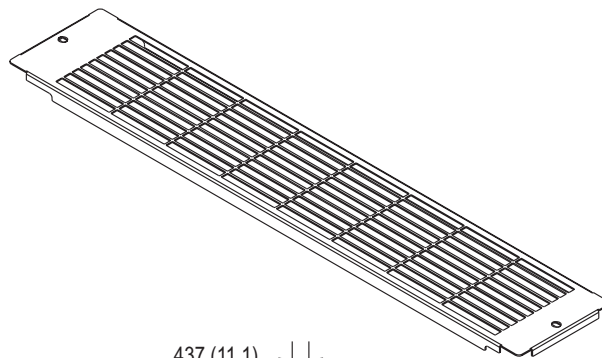
PN	Desc.
HX0F-000-060-01	Grill & Fasteners for 380mm CrossFlow Blower
HX0F-000-060-02	Grill & Fasteners for 409mm CrossFlow Blower
715-00-0062	Replacement 380mm filter
715-00-0060	Replacement 409mm filter

■ Filter: 0.31 inches thick, 25 PPI, open cell
black polyurethane foam rated UL900 Class 2

HX0F-000-060-01



HX0F-000-060-02



X-ON Electronics

Largest Supplier of Electrical and Electronic Components

Click to view similar products for [Blowers & Centrifugal Fans](#) category:

Click to view products by [ebm papst](#) manufacturer:

Other Similar products are found below :

[MKEL-DRB](#) [R2D140-AB02-14](#) [R2D160-AC02-13](#) [R4D310-AS18-01](#) [R4D400-AD22-06](#) [R4E180-AS11-09](#) [R4S175-AA16-12](#) [AIF60112](#)
[AIF801724](#) [RLF35-812N2P-103](#) [DOP-EXI014RAE](#) [BR300W400](#) [KFB1724VHT-AF00](#) [KFC1048DS-S45D](#) [AIF641714](#) [CME-COP01](#)
[R1G220-AB07-09](#) [R2E180CH0312](#) [R2S150-AD08-09](#) [RD20S-4/210660](#) [RH56M-6/204689](#) [D2E146-CD51-09](#) [TP04G-AS2](#) [TP05G-BT2](#)
[TP-PCC](#) [BR200W250](#) [D4E133-AA01-51](#) [D4E133-DH61-D1](#) [DFD0612H/SPECTRA](#) [DOP-EXI028RAE](#) [55462.19890](#) [K1G200-AA73-02](#)
[G2D160-AF02-01](#) [G2E150-BA52-07](#) [G2S150-AB56-42](#) [D4E225-BC01-02](#) [R2D225-AV02-14](#) [D2E146-HT67-63](#) [K1G220-AA67-02](#)
[55462.19140](#) [G2E140-AG02-05](#) [R3G190-AB23-02](#) [55410.91750](#) [55462.19891](#) [G3G160-AC70-01](#) [R1G120-AD17-11](#) [R3G250-AM70-01](#)
[R2E225-RA02-47](#) [RER225-63/18/2TDMP](#) [R4E310-AO12-14](#)