

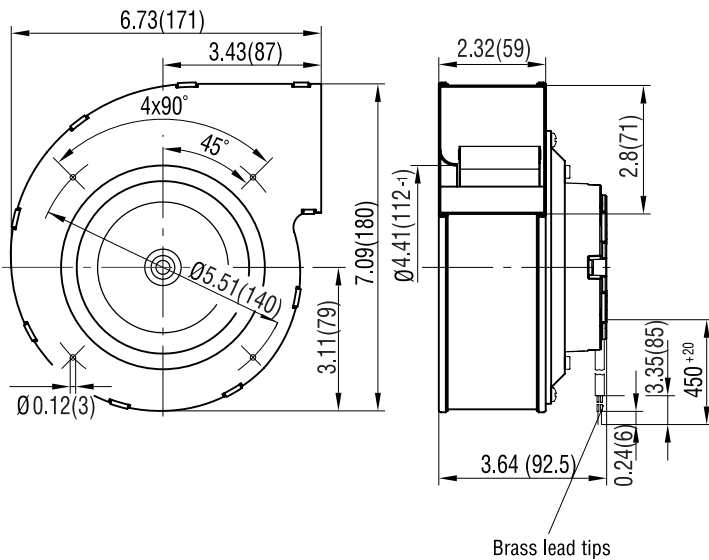
G3G133 Series Centrifugal Blower

Ø 133mm, EC-i



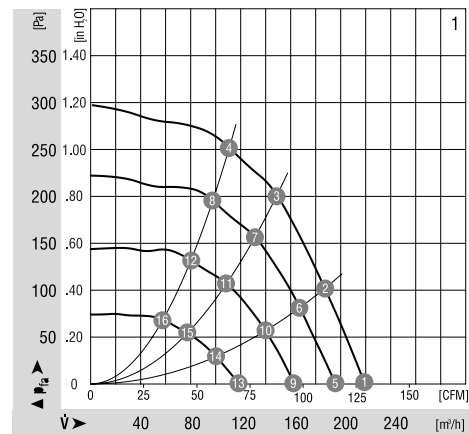
- AC input, single inlet, forward-curved centrifugal blower with integrated electronics.
- Cable exit: variable
- Housing of die-cast aluminium; impeller of galvanised sheet-steel.
- Variable mounting position.
- Direction of rotation is CW as seen from intake side.
- Maintenance-free ball bearings.
- Technical features: integrated electronics, PWM/Lin input, speed output.
- UL and CSA approvals on request.

Part Number	Curve	CFM @ 0	VAC	Hertz	Power (W)	dBA	Max Amb. Temp. C	Bearing Type	Features	Wgt. (lbs)
G3G133-DD05-02	1	129.5	230	50/60	41	64	60	Ball	Leads	3.31



	n [RPM]	P _i [W]	η _{IL} [%]	Lp _A [dBA]		n [RPM]	P _i [W]	η _{IL} [%]	Lp _A [dBA]	
1	1970	41	—	64	1	9	1500	18	—	55
1	2090	36	45	62	1	10	1570	16	45	54
1	2240	30	53	60	1	11	1640	13	53	51
1	2400	23	51	59	1	12	1730	10	51	50
1	1780	30	—	60	1	13	1100	9	—	49
1	1870	26	45	59	1	14	1140	8	45	47
1	2000	21	53	56	1	15	1200	7	53	44
1	2120	17	51	56	1	16	1250	6	51	41

Curve



X-ON Electronics

Largest Supplier of Electrical and Electronic Components

Click to view similar products for [AC Fans](#) category:

Click to view products by [ebm papst](#) manufacturer:

Other Similar products are found below :

[M2E068-DF13-79](#) [F1238H24B-FHR](#) [8850A](#) [G9225S05B2-FSR](#) [A2D200-AA04-41](#) [A2E165-AA17-01](#) [R2D140-AB02-14](#) [R4D310-AS18-01](#)
[R4D400-AD22-06](#) [R4E180-AS11-09](#) [AD0912HB-A7BGL](#) [25.001.1856.0](#) [25.320.1153.1](#) [25.320.1353.1](#) [25.320.4753.1](#) [25.320.5453.1](#)
[25.330.1353.1](#) [25.330.4853.1](#) [25.330.5153.1](#) [25.330.5353.1](#) [25.340.1053.1](#) [25.350.5253.0](#) [25.600.4053.0](#) [272DL-2LP11-000](#) [S2E250-AL06-](#)
[70](#) [A2D210-AB10-05](#) [A2D240-AA02-02](#) [A2D250-AE22-06](#) [A2E170-AF23-01](#) [F1238S24BT-FSR](#) [25.000.1856.0](#) [25.000.2056.0](#)
[25.010.1856.0](#) [25.220.3953.1](#) [25.332.2453.1](#) [25.340.0453.1](#) [25.345.5353.0](#) [25.352.1853.0](#) [281DS-2LP11-000B](#) [281DY-1LP14-000B](#) [298DM-](#)
[2LP11-000](#) [298DS-2LP11-000A](#) [R2S150-AD08-09](#) [344DY-1LP11-000](#) [D2E146-CD51-09](#) [39.703.0253.0](#) [USTF1203224VHW](#)
[3G2C7MC224](#) [W2D300-CP02-48](#) [W2E300-DA01-52](#)