

# Compact Diagonal

Series K2E200-AD Ø 200 mm



## Highlights:

– Thermal overload protector (TOP) internally connected

**Material:** Impeller: PA plastic

Housing: PP plastic

**Mounting position:** Shaft horizontal or rotor on top; rotor on bottom on request

**Condensate discharge holes:** None

**Direction of rotation:** Clockwise, seen on rotor

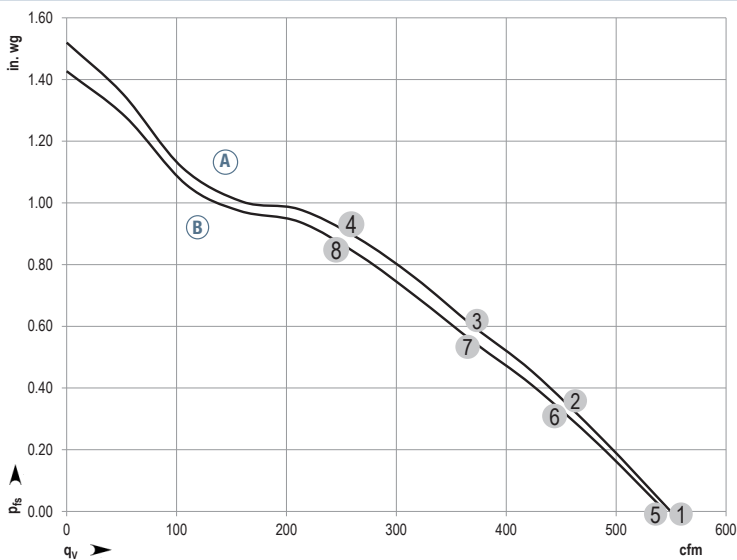
## Nominal Data

Type	Motor	Air flow cfm	Phase	Voltage VAC	Frequency Hz	Power input (1) W	Speed (1) rpm	Current draw (1) A	Max back pressure in. H <sub>2</sub> O	Temperature range (1) °C	Mass lbs	Bearing	Ingress protection rating	UL	Chart
K2E200-AD08-02	M2E068-CF	550	1~	115V	50/60	90	3200	0.80	0.844	-25...85	5.73	Ball	IP44*	Yes	Ⓐ
K2E200-AD20-01	M2E068-CF	544	1~	230V	50/60	85	3150	0.38	0.844	-25...65	5.73	Ball	IP44*	Yes	Ⓑ

(1) Nominal data at free air.

\* Depending on installation and position.

## Curves



Air performance measured as per: ISO 5801, Installation category A, without protection against accidental contact.

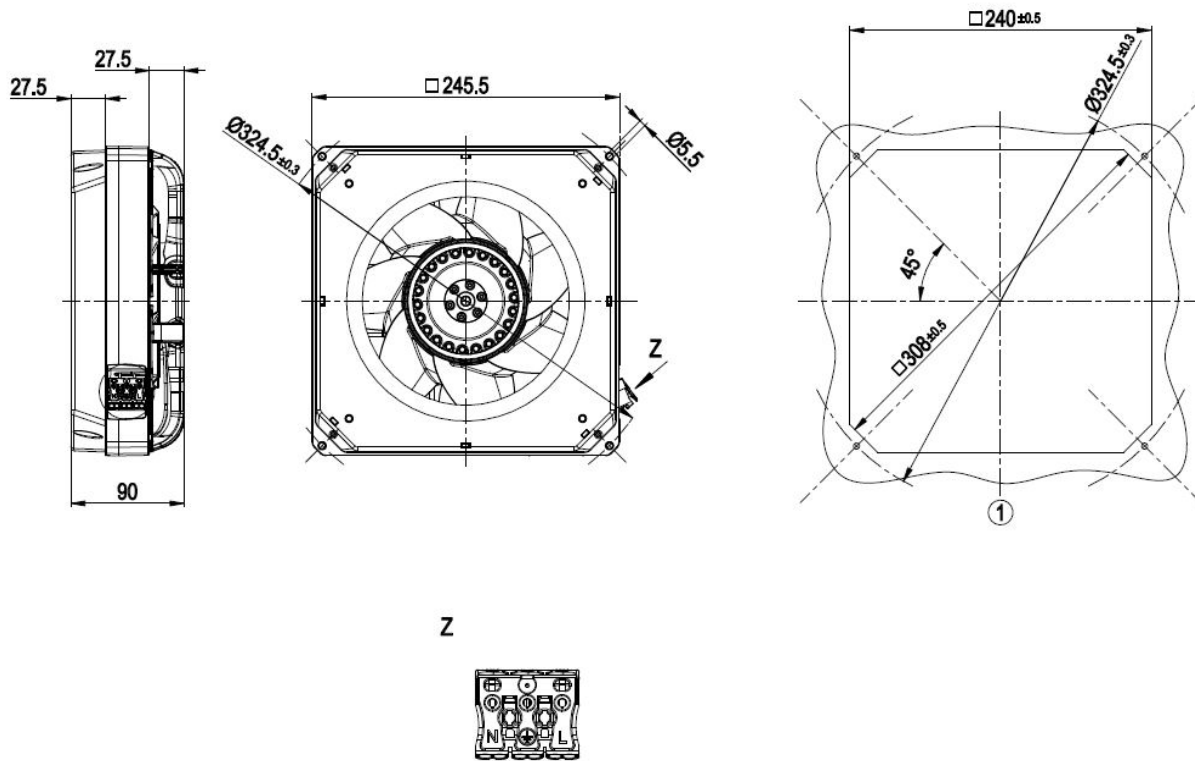
Suction-side noise levels: L<sub>WA</sub> as per ISO 13347, L<sub>pA</sub> measured at 1m distance to fan axis.

The values given are valid under the measuring conditions mentioned and may vary according to the actual installation situation.

With any deviation to the standard set-up, the specific values have to be checked and reviewed once installed or fitted.

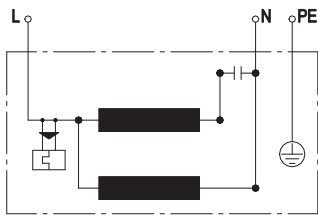
For detailed information on the measuring set-up, please contact ebm-papst.

	n rpm	Pe W	I A	L <sub>pA</sub> in dB(A)	L <sub>WA</sub> in dB(A)
1	3200	90	0.80	64	72
7	3120	95	0.83	63	71
3	3080	99	0.87	61	69
4	3095	97	0.85	61	69
5	3150	85	0.38	64	72
2	3065	90	0.40	63	71
8	3015	95	0.41	62	70
6	3035	92	0.40	62	70



1 Mounting dimensions

Connection screen



L	black	N	blue	PE	green/yellow
---	-------	---	------	----	--------------

## X-ON Electronics

Largest Supplier of Electrical and Electronic Components

*Click to view similar products for [Blowers & Centrifugal Fans](#) category:*

*Click to view products by [ebm papst](#) manufacturer:*

Other Similar products are found below :

[MKEL-DRB](#) [R2D140-AB02-14](#) [R2D160-AC02-13](#) [R4D310-AS18-01](#) [R4D400-AD22-06](#) [R4E180-AS11-09](#) [R4S175-AA16-12](#) [AIF60112](#)  
[AIF801724](#) [RLF35-812N2P-103](#) [DOP-EXI014RAE](#) [BR300W400](#) [KFB1724VHT-AF00](#) [KFC1048DS-S45D](#) [AIF641714](#) [CME-COP01](#)  
[R1G220-AB07-09](#) [R2E180CH0312](#) [R2S150-AD08-09](#) [RD20S-4/210660](#) [RH56M-6/204689](#) [D2E146-CD51-09](#) [TP04G-AS2](#) [TP05G-BT2](#)  
[TP-PCC](#) [BR200W250](#) [D4E133-AA01-51](#) [D4E133-DH61-D1](#) [DFD0612H/SPECTRA](#) [DOP-EXI028RAE](#) [55462.19890](#) [K1G200-AA73-02](#)  
[G2D160-AF02-01](#) [G2E150-BA52-07](#) [G2S150-AB56-42](#) [D4E225-BC01-02](#) [R2D225-AV02-14](#) [D2E146-HT67-63](#) [K1G220-AA67-02](#)  
[55462.19140](#) [G2E140-AG02-05](#) [R3G190-AB23-02](#) [55410.91750](#) [55462.19891](#) [G3G160-AC70-01](#) [R1G120-AD17-11](#) [R3G250-AM70-01](#)  
[R2E225-RA02-47](#) [RER225-63/18/2TDMP](#) [R4E310-AO12-14](#)