

K3G097-AK34-65

EC dual centrifugal fan

forward-curved, with brushless DC motor
with housing, Automotive



ebm-papst Mulfingen GmbH & Co. KG

Bachmühle 2 · D-74673 Mulfingen

Phone +49 7938 81-0

Fax +49 7938 81-110

info1@de.ebmpapst.com

www.ebmpapst.com

Limited partnership · Headquarters Mulfingen

Amtsgericht (court of registration) Stuttgart · HRA 590344

General partner Elektrobau Mulfingen GmbH · Headquarters Mulfingen

Amtsgericht (court of registration) Stuttgart · HRB 590142



Nominal data

Type	K3G097-AK34-65	
Motor	M3G074-CF	
Nominal voltage	VDC	26
Nominal voltage range	VDC	16 .. 32
Method of obtaining data		ml
Speed (rpm)	min ⁻¹	3830
Power consumption	W	394
Current draw	A	15.2
Min. ambient temperature	°C	-40
Max. ambient temperature	°C	70

ml = Max. load · me = Max. efficiency · fa = Free air · cs = Customer specification · ce = Customer equipment
Subject to change

Data according to ErP Directive

		Actual	Req. 2015
01 Overall efficiency η_{es}	%	45.5	33.9
02 Measurement category		A	
03 Efficiency category		Static	
04 Efficiency grade N		55.6	44
05 Variable speed drive		Yes	

Data obtained at optimum efficiency level.
The ErP data is determined using a motor-impeller combination in a standardized measurement setup.

09 Power consumption P_e	kW	0.25
09 Air flow q_v	m ³ /h	705
09 Pressure increase p_{fs}	Pa	526
10 Speed (rpm) n	min ⁻¹	4505
11 Specific ratio*		1.01

* Specific ratio = $1 + p_{fs} / 100\,000\text{ Pa}$

LU-74436



EC dual centrifugal fan

forward-curved, with brushless DC motor
with housing, Automotive

Technical description

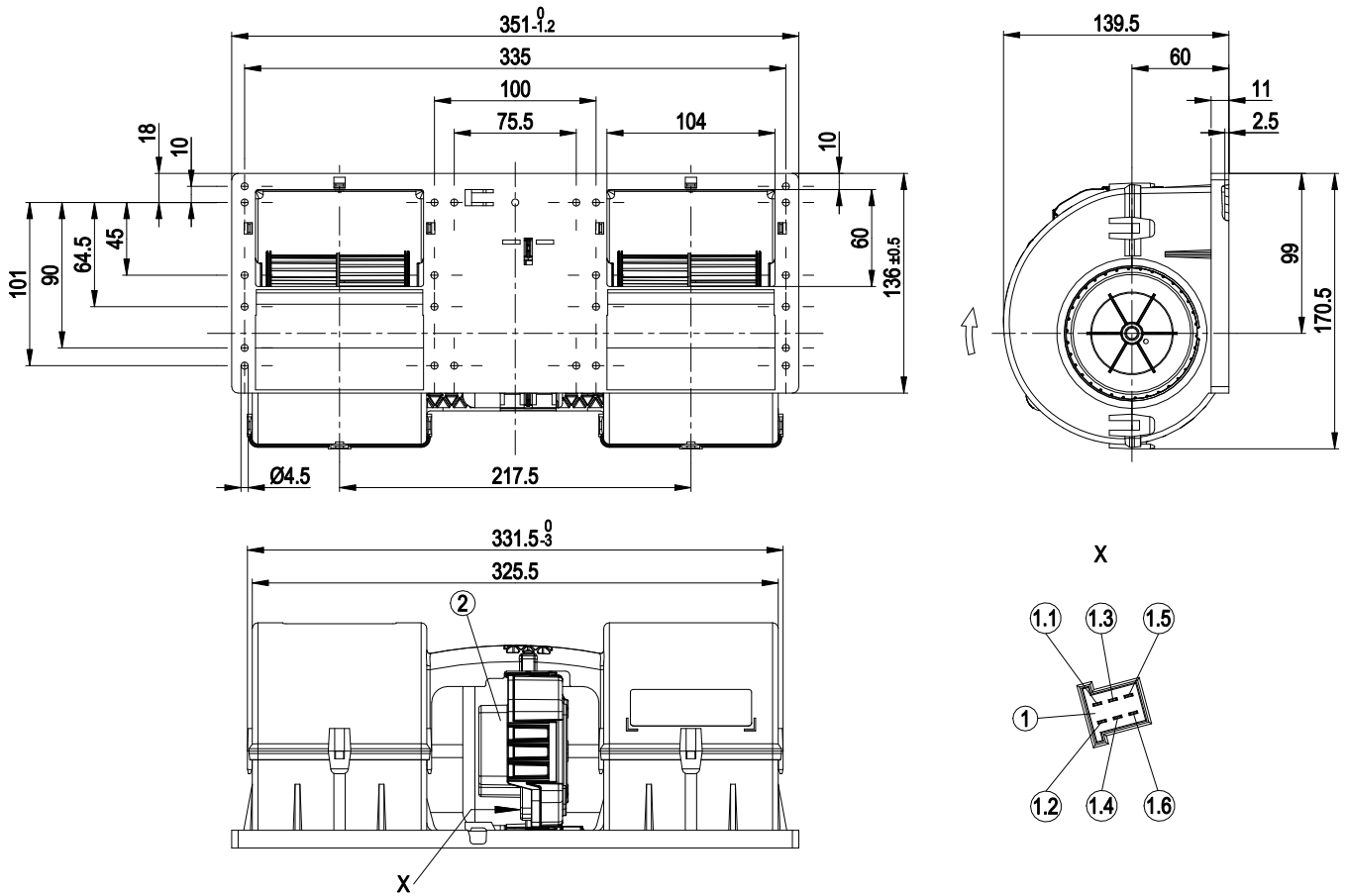
Weight	2 kg
Fan size	97 mm
Impeller material	PA plastic UL94 HB (black)
Housing material	PP plastic (black)
Balancing grade according to DIN ISO 1940-1	G 2.5
Direction of rotation	Clockwise, viewed toward rotor
Degree of protection	IP24 KM
Insulation class	"B"
Moisture (F) / Environmental (H) protection class	F3-2
Max. permitted ambient temp. for motor (transport/storage)	+70 °C
Min. permitted ambient temp. for motor (transport/storage)	-40 °C
Installation position	Any
Condensation drainage holes	None, open rotor
Cooling hole/opening	On rotor side
Mode	S1
Motor bearing	Ball bearing
Life expectancy	40,000 h (typical)
Technical features	<ul style="list-style-type: none"> - Start at 85 °C (2 min) permitted - Load dump (58 V) - Motor current limitation - Soft start - Control input 0-10 VDC / PWM - Overvoltage detection - Thermal overload protection for electronics - Line undervoltage detection
EMC regulations	According to ECE R10 Rev. 3
Electrical hookup	With plug; Standby current less than 500 µA
Motor protection	Reverse polarity and locked-rotor protection
Approval	E1; EAC
Sound level	76 dB(A), sound power level according to ISO 13347
Comment	Not approved for continuous operation at maximum back pressure and 85 °C; type approval number – 036432



EC dual centrifugal fan

forward-curved, with brushless DC motor
with housing, Automotive

Product drawing



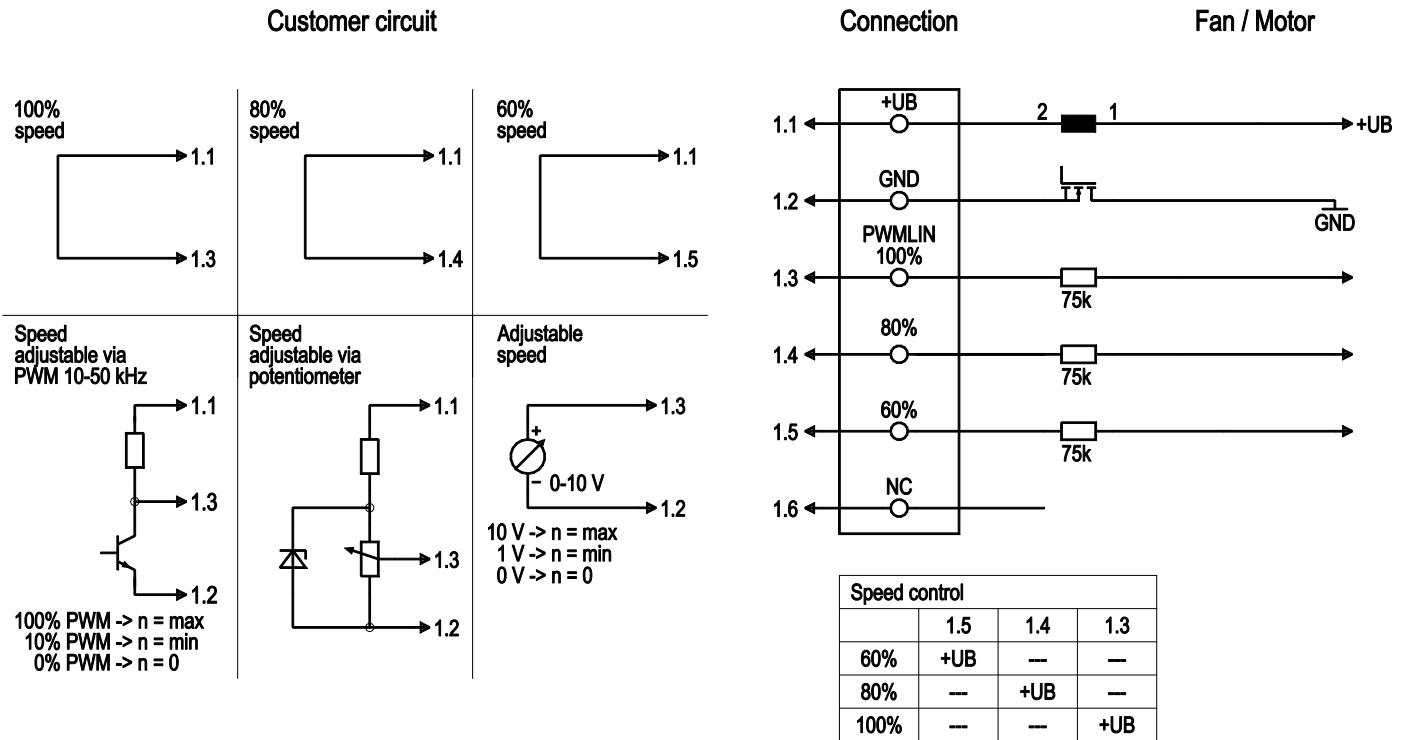
1	6-pole coded header tyco Junior Power Timer cable (460 mm) with mating connector, part no. 02001-4-1021 not included in scope of delivery
1.1	+ UB
1.2	GND
1.3	PWM/LIN, 100% speed
1.4	80% speed
1.5	60% speed
1.6	Not used / no function
2	Electronics cover blue (RAL 5015)



EC dual centrifugal fan

forward-curved, with brushless DC motor
with housing, Automotive

Connection diagram



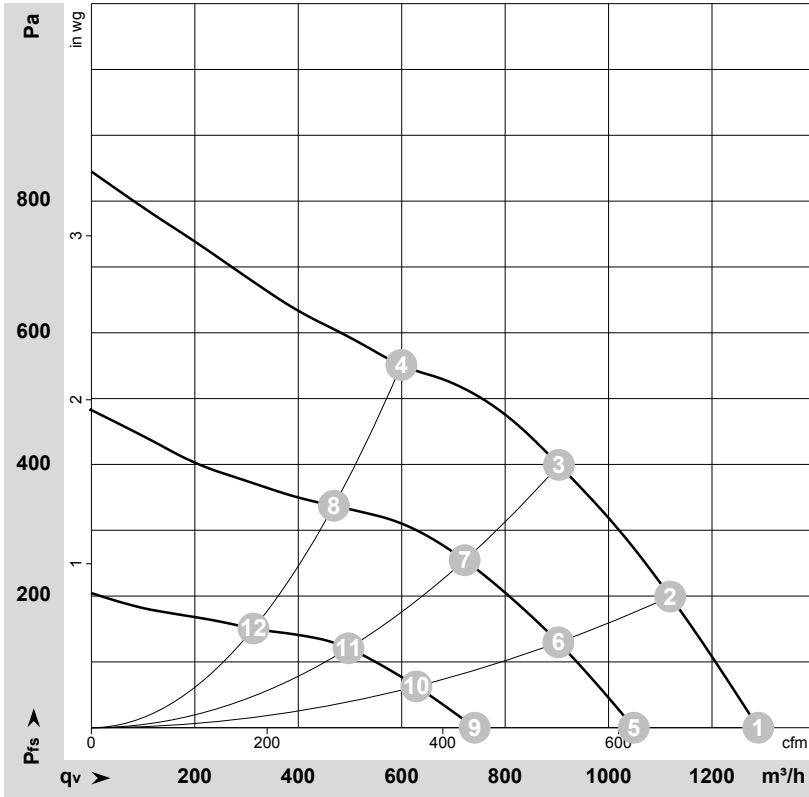
No.	Conn.	Designation	Function/assignment
	1.1	+UB	Power supply
	1.2	GND	Power supply GND, reference ground
	1.3	100%, PWM/LIN	100% speed, analog voltage control input 0-10 V or PWM
	1.4	80%	80% speed
	1.5	60%	60% speed
	1.6	NC	Not used / no function



EC dual centrifugal fan

forward-curved, with brushless DC motor
with housing, Automotive

Curves: Air performance



$\rho = 1.15 \text{ kg/m}^3 \pm 2 \%$

Measurement: LU-74436-1
Measurement: LU-74437-1
Measurement: LU-74438-1

Air performance measured according to ISO 5801 installation category A. For detailed information on the measurement setup, contact ebm-papst. Intake sound level: Sound power level according to ISO 13347 / sound pressure level measured at 1 m distance from fan axis. The values given are valid under the specified measuring conditions and may vary due to conditions of installation. For deviations from the standard configuration, the parameters have to be checked on the installed unit.

Measured values

	Stage	U	n	P _{ed}	I	qv	p _{fs}	qv	p _{fs}
		V	min ⁻¹	W	A	m ³ /h	Pa	CFM	inH ₂ O
1	100%	26	3830	394	15.20	1290	0	760	0.00
2	100%	26	4075	353	13.53	1120	200	660	0.80
3	100%	26	4320	294	11.29	905	400	530	1.61
4	100%	26	4670	233	8.92	600	550	355	2.21
5	80%	26	3145	215	8.28	1050	0	615	0.00
6	80%	26	3315	188	7.24	905	130	530	0.52
7	80%	26	3470	155	5.97	720	255	425	1.02
8	80%	26	3670	118	4.51	470	337	275	1.35
9	60%	26	2245	79	3.06	740	0	435	0.00
10	60%	26	2325	68	2.61	630	63	370	0.25
11	60%	26	2415	56	2.15	495	121	295	0.49
12	60%	26	2490	42	1.63	315	150	185	0.60

U = Power supply · n = Speed (rpm) · P_{ed} = Power consumption · I = Current draw · qv = Air flow · p_{fs} = Pressure increase



X-ON Electronics

Largest Supplier of Electrical and Electronic Components

Click to view similar products for [Blowers & Centrifugal Fans](#) category:

Click to view products by [ebm papst](#) manufacturer:

Other Similar products are found below :

[MKEL-DRB](#) [R2D140-AB02-14](#) [R2D160-AC02-13](#) [R4D310-AS18-01](#) [R4D400-AD22-06](#) [R4E180-AS11-09](#) [R4S175-AA16-12](#) [AIF60112](#)
[AIF801724](#) [RLF35-812N2P-103](#) [DOP-EXI014RAE](#) [BR300W400](#) [KFB1724VHT-AF00](#) [KFC1048DS-S45D](#) [AIF641714](#) [CME-COP01](#)
[R1G220-AB07-09](#) [R2E180CH0312](#) [R2S150-AD08-09](#) [RD20S-4/210660](#) [RH56M-6/204689](#) [D2E146-CD51-09](#) [TP04G-AS2](#) [TP05G-BT2](#)
[TP-PCC](#) [BR200W250](#) [D4E133-AA01-51](#) [D4E133-DH61-D1](#) [DFD0612H/SPECTRA](#) [DOP-EXI028RAE](#) [55462.19890](#) [K1G200-AA73-02](#)
[G2D160-AF02-01](#) [G2E150-BA52-07](#) [G2S150-AB56-42](#) [D4E225-BC01-02](#) [R2D225-AV02-14](#) [D2E146-HT67-63](#) [K1G220-AA67-02](#)
[55462.19140](#) [G2E140-AG02-05](#) [R3G190-AB23-02](#) [55410.91750](#) [55462.19891](#) [G3G160-AC70-01](#) [R1G120-AD17-11](#) [R3G250-AM70-01](#)
[R2E225-RA02-47](#) [RER225-63/18/2TDMP](#) [R4E310-AO12-14](#)