

EC centrifugal fan combination

forward-curved, dual-intake

with housing, Automotive

ebm-papst Mulfingen GmbH & Co. KG

Bachmühle 2 · D-74673 Mulfingen

Phone +49 7938 81-0

Fax +49 7938 81-110

info1@de.ebmpapst.com

www.ebmpapst.com

Limited partnership · Headquarters Mulfingen

Amtsgericht (court of registration) Stuttgart · HRA 590344

General partner Elektrobau Mulfingen GmbH · Headquarters Mulfingen

Amtsgericht (court of registration) Stuttgart · HRB 590142

Nominal data

Type	K3G097-AP46-01	
Motor	M3G084-BF	
Nominal voltage	VDC	26
Nominal voltage range	VDC	16 .. 32
Method of obtaining data		fa
Status		prelim.
Speed (rpm)	min ⁻¹	3500
Power consumption	W	320
Current draw	A	12.2
Min. back pressure	Pa	0
Min. back pressure	in. wg	0
Min. ambient temperature	°C	-40
Max. ambient temperature	°C	85

ml = Max. load · me = Max. efficiency · fa = Free air · cs = Customer specification · ce = Customer equipment
Subject to change

Data according to Commission Regulation (EU) 327/2011

		Actual	Req. 2015			
01 Overall efficiency η_{es}	%	49.4	33.1	09 Power consumption P_e	kW	0.18
02 Measurement category		A		09 Air flow q_v	m ³ /h	500
03 Efficiency category		Static		09 Pressure increase p_{fs}	Pa	592
04 Efficiency grade N		60.3	44	10 Speed (rpm) n	min ⁻¹	4600
05 Variable speed drive		Yes		11 Specific ratio [*]		1.01

Data obtained at optimum efficiency level.

The ErP data is determined using a motor-impeller combination in a standardized measurement setup.

^{*} Specific ratio = $1 + p_{fs} / 100\,000\text{ Pa}$

LU-201080



EC centrifugal fan combination

forward-curved, dual-intake

with housing, Automotive

Technical description

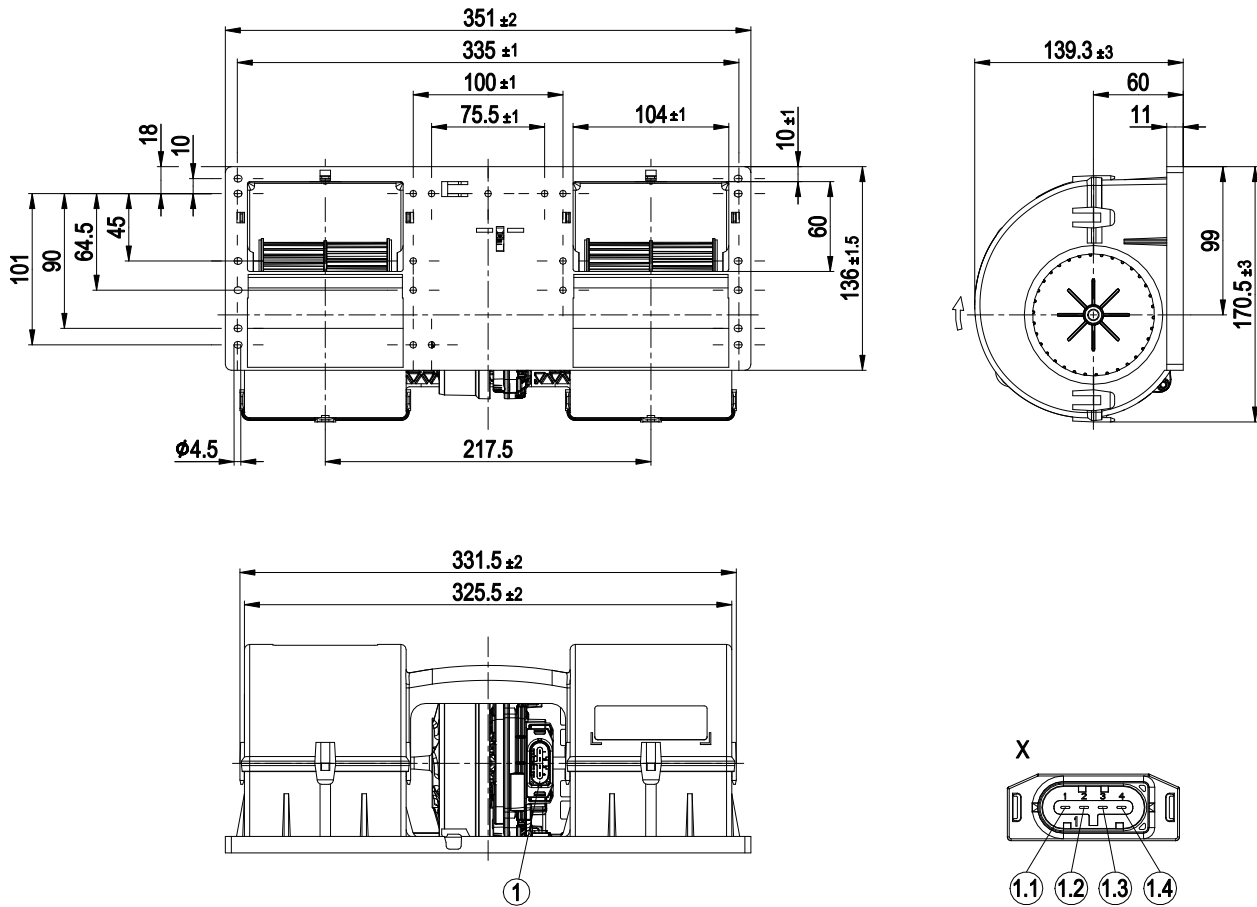
Weight	2 kg
Size	97 mm
Motor size	84
Impeller material	PA plastic
Housing material	PP plastic
Balancing grade according to DIN ISO 1940-1	G 2.5
Direction of rotation	Clockwise, viewed toward rotor
Degree of protection	Motor IP24 KM, electronics IP6K9K (mating connector installed)
Insulation class	"B"
Moisture (F) / Environmental (H) protection class	H4
Ambient temperature note	Over +75°C with power derating
Max. permitted ambient temp. for motor (transport/storage)	+85 °C
Min. permitted ambient temp. for motor (transport/storage)	-40 °C
Installation position	Any
Condensation drainage holes	None, open rotor
Mode	S1
Motor bearing	Ball bearing; (sealed)
Life expectancy	40,000 h (typical)
Technical features	<ul style="list-style-type: none"> - Fault output (open collector) - Power limiter - Load dump (58 V) - Motor current limitation - Soft start - Control input 0-10 VDC / PWM - Temperature derating - Thermal overload protection for electronics - Reverse polarity protection
Electrical hookup	Plug; Standby current less than 500 µA
Approval	EAC



EC centrifugal fan combination

forward-curved, dual-intake
with housing, Automotive

Product drawing



1	4-pole plug, pluggable with cable from accessories
1.1	Diagnostic output
1.2	PWM/LIN
1.3	+ UB
1.4	GND
Accessory part: Cable (460 mm) with mating connector, part no. 02040-4-1021 not included in scope of delivery 4-pole mating connector TE 1-1718628-1, 2x plug contact TE 1-968857-1, 2x plug contact TE 1-968855-1, 2x seal TE 828905-1, 2x seal TE 828904-1	

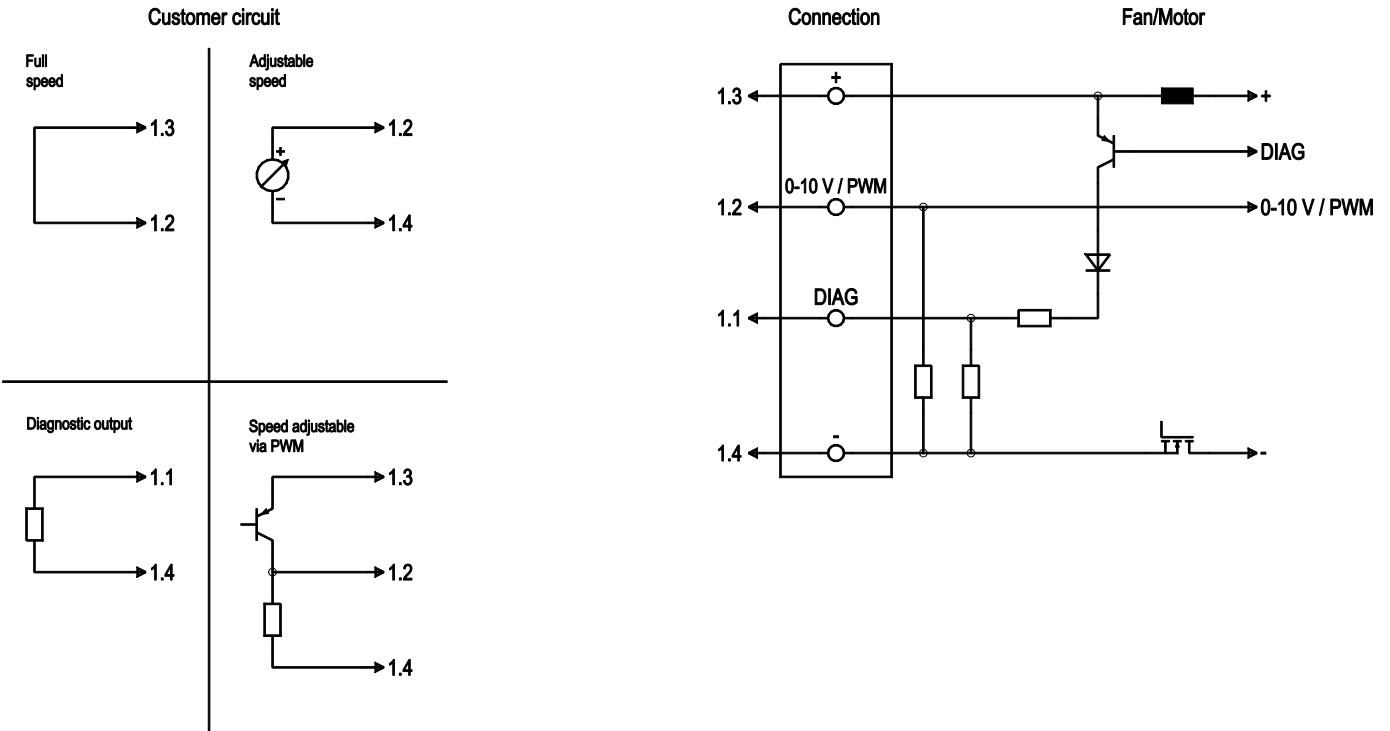


EC centrifugal fan combination

forward-curved, dual-intake

with housing, Automotive

Connection diagram



No.	Conn.	Designation	Function/assignment
	1.3	+	Power supply +
	1.4	-	Power supply -
	1.2	0-10 V / PWM	Control input: $R_i > 27\text{ k}\Omega$ 0-10 V: (typ. 0.5 V -> Standby; 1.5 V -> n = min.; 9.5 V -> n = max.) or PWM: (12 V - U_b ; 1 kHz - 10 kHz; typ. < 1% -> standby; 10% -> n = min.; 95% -> n = max.)
	1.1	DIAG	Diagnostic output: Open Collector, $I_{source\ max} = 10\text{ mA}$, $R_{source} = 2\text{ k}\Omega$; $R_{sink} = 100\text{ k}\Omega$ fan OK -> low; fan error -> high

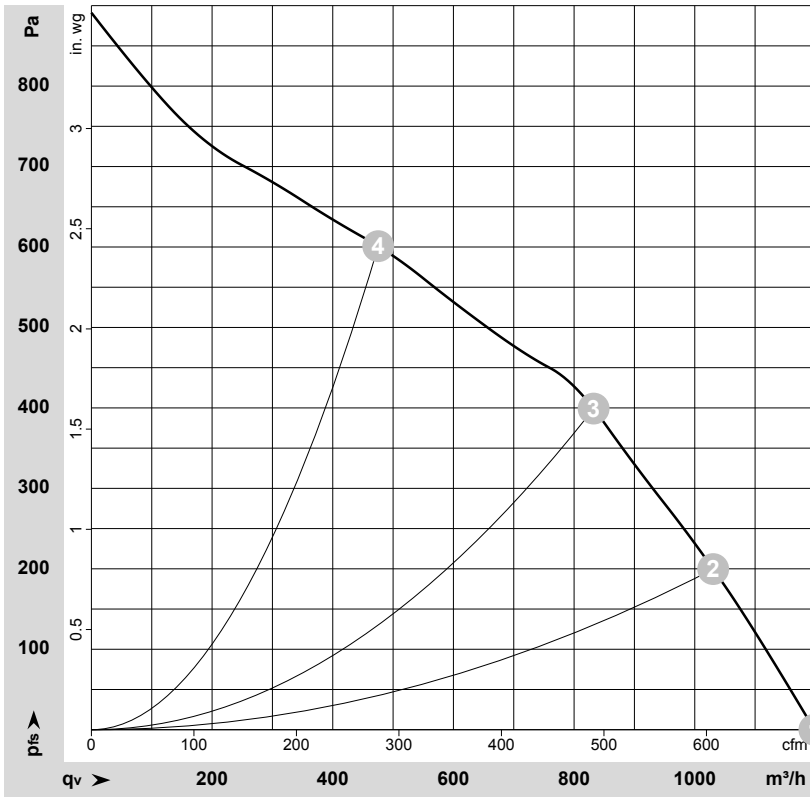


EC centrifugal fan combination

forward-curved, dual-intake

with housing, Automotive

Curves: Air performance



$\rho = 1.15 \text{ kg/m}^3 \pm 2 \%$

Measurement: LU-201080-1

Air performance measured according to ISO 5801 installation category A. For detailed information on the measurement setup, contact ebmpapst. Intake sound level: Sound power level according to ISO 13347 / sound pressure level measured at 1 m distance from fan axis. The values given are valid under the specified measuring conditions and may vary due to conditions of installation. For deviations from the standard configuration, the parameters have to be checked on the installed unit.

Measured values

	U	n	P _{ed}	I	LpA _{in}	LwA _{in}	q _v	p _{fs}	q _v	p _{fs}
	V	min ⁻¹	W	A	dB(A)	dB(A)	m ³ /h	Pa	cfm	in. wg
1	26	3500	320	12.20	70	81	1200	0	705	0.00
2	26	3780	284	10.90	68	78	1030	200	605	0.80
3	26	4100	246	9.43	66	77	830	400	490	1.61
4	26	4630	183	7.03	67	77	475	600	280	2.41

U = Voltage · n = Speed (rpm) · P_{ed} = Power consumption · I = Current draw · LpA_{in} = Sound pressure level intake side · LwA_{in} = Sound power level intake side · q_v = Air flow
p_{fs} = Pressure increase



X-ON Electronics

Largest Supplier of Electrical and Electronic Components

Click to view similar products for [Blowers & Centrifugal Fans](#) category:

Click to view products by [ebm papst](#) manufacturer:

Other Similar products are found below :

[R2D140-AB02-14](#) [R2D160-AC02-13](#) [R2D220-AA24-13](#) [R4D310-AS18-01](#) [R4D400-AD22-06](#) [R4E180-AS11-09](#) [R4S175-AA16-12](#)
[AIF60112](#) [AIF801724](#) [BR300W100](#) [AIF641714](#) [R1G220-AB07-09](#) [R2E180CH0312](#) [R2S150-AD08-09](#) [RD20S-4/210660](#) [RH56M-6/204689](#)
[D2E146-CD51-09](#) [D2E160-AH02-15](#) [TP04G-AS2](#) [D4E133-AA01-51](#) [D4E180-BA04-18](#) [Z4.802.1680.0](#) [55462.19890](#) [K1G200-AA73-02](#)
[G2D160-AF02-01](#) [G2S150-AB56-42](#) [R4E355-AK05-06](#) [D4E225-BC01-02](#) [D2E146-HT67-63](#) [K1G220-AA67-02](#) [R3G133-AE17-02](#)
[D4E225-BC01-23](#) [D4E225-CC01-48](#) [R3G190-AB23-02](#) [55410.91750](#) [55462.19891](#) [R1G120-AD17-11](#) [R3G250-AM70-01](#) [RER225-
63/18/2TDMP](#) [R4E310-AO12-14](#) [R2D225-AG02-12](#) [3612751](#) [G2D140-AC30-18](#) [55416.32](#) [55416.35](#) [55442.41](#) [R2E225-AB05-05](#)
[M39012/16-0101](#) [10025GA-12M-AA-00](#) [DB0870605H1A-BT0](#)