

Compact Diagonal

Series K3G200-AD Ø 200 mm



Highlights:

- Control Input: 0-10 VDC/PWM
- Output: 10 VDC, max 1.1 mA
- Tach Output
- Over-temperature protected electronics/motor
- Soft start, motor current limit
- Locked rotor protection

Material: Impeller: PA plastic

Housing: PP plastic

Mounting position: Any

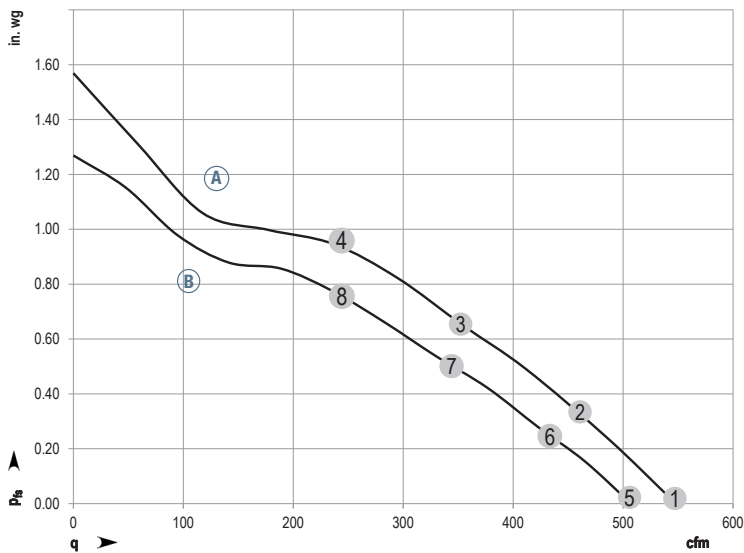
Condensate discharge holes: None, open rotor

Direction of rotation: Clockwise, seen on rotor

| Nominal Data | | Air flow | Phase | Voltage | Voltage range | Frequency | Power input (1) | Speed (1) | Current draw (1) | Max back pressure | Temperature range (1) | Mass | Bearing | Ingress protection rating | UL | Chart |
|----------------|-----------|----------|-------|---------|---------------|-----------|-----------------|-----------|----------------------|-------------------|-----------------------|------|---------|---------------------------|-----|-------|
| Type | Motor | cfm | VAC | VAC | Hz | W | rpm | A | in. H ₂ O | °C | lbs | | | | | |
| K3G200-AD21-01 | M3G055-BI | 547 | 1~ | 230V | 200...240 | 50/60 | 80 | 3100 | 0.7 | 0.884 | -25...60 | 4.41 | Ball | IP54 | Yes | (A) |
| K3G200-AD11-02 | M3G055-BI | 506 | 1~ | 115V | 100...130 | 50/60 | 65 | 2850 | 1.0 | 0.723 | -25...60 | 4.41 | Ball | IP54 | Yes | (B) |

(1) Nominal data at maximum load.

Curves



Air performance measured as per: ISO 5801, Installation category A, without protection against accidental contact.

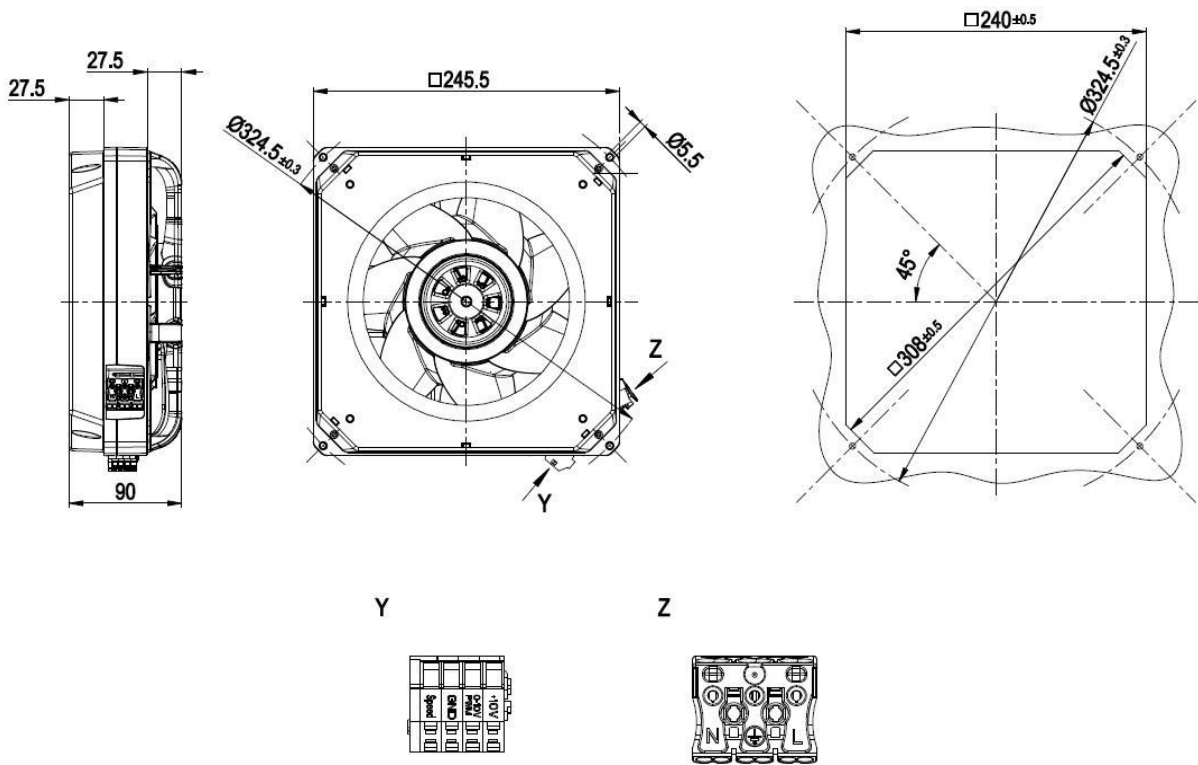
Suction-side noise levels: L_{WA} as per ISO 13347, L_{pA} measured at 1m distance to fan axis.

The values given are valid under the measuring conditions mentioned and may vary according to the actual installation situation.

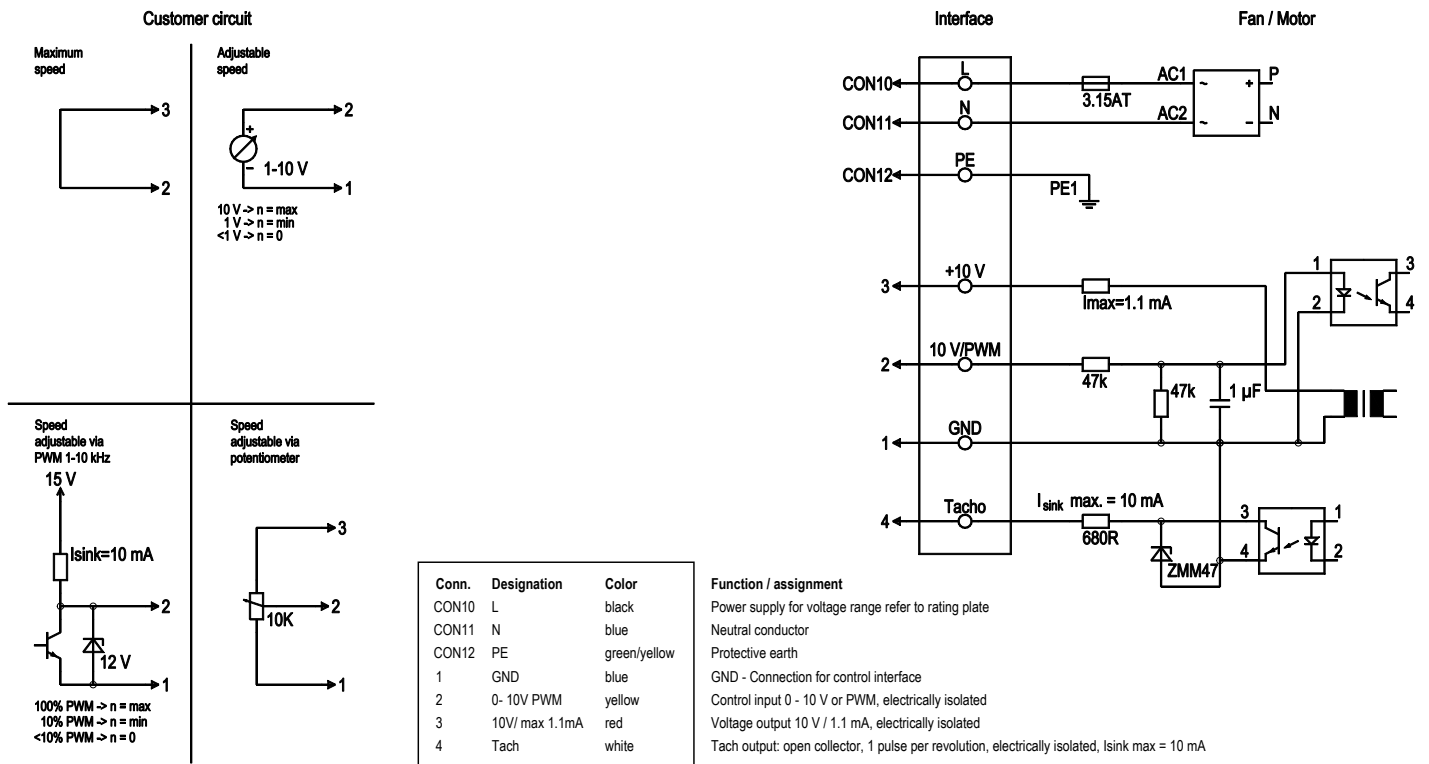
With any deviation to the standard set-up, the specific values have to be checked and reviewed once installed or fitted.

For detailed information on the measuring set-up, please contact ebm-papst.

| | n rpm | Pe W | I A | L _{pA} in dB(A) | L _{WA} in dB(A) |
|---|----------|---------|--------|-----------------------------|-----------------------------|
| 1 | 3160 | 69 | 0.63 | 64 | 72 |
| 2 | 3120 | 75 | 0.68 | 62 | 70 |
| 3 | 3100 | 80 | 0.70 | 61 | 69 |
| 4 | 3100 | 76 | 0.69 | 61 | 69 |
| 5 | 2945 | 59 | 0.96 | 62 | 70 |
| 6 | 2885 | 62 | 1.00 | 61 | 69 |
| 7 | 2850 | 65 | 1.00 | 59 | 68 |
| 8 | 2845 | 64 | 1.00 | 59 | 68 |



Connection screen



X-ON Electronics

Largest Supplier of Electrical and Electronic Components

Click to view similar products for [Blowers & Centrifugal Fans](#) category:

Click to view products by [ebm papst](#) manufacturer:

Other Similar products are found below :

[MKEL-DRB](#) [R2D140-AB02-14](#) [R2D160-AC02-13](#) [R4D310-AS18-01](#) [R4D400-AD22-06](#) [R4E180-AS11-09](#) [R4S175-AA16-12](#) [AIF60112](#)
[AIF801724](#) [RLF35-812N2P-103](#) [DOP-EXI014RAE](#) [BR300W400](#) [KFB1724VHT-AF00](#) [KFC1048DS-S45D](#) [AIF641714](#) [CME-COP01](#)
[R1G220-AB07-09](#) [R2E180CH0312](#) [R2S150-AD08-09](#) [RD20S-4/210660](#) [RH56M-6/204689](#) [D2E146-CD51-09](#) [TP04G-AS2](#) [TP05G-BT2](#)
[TP-PCC](#) [BR200W250](#) [D4E133-AA01-51](#) [D4E133-DH61-D1](#) [DFD0612H/SPECTRA](#) [DOP-EXI028RAE](#) [55462.19890](#) [K1G200-AA73-02](#)
[G2D160-AF02-01](#) [G2E150-BA52-07](#) [G2S150-AB56-42](#) [D4E225-BC01-02](#) [R2D225-AV02-14](#) [D2E146-HT67-63](#) [K1G220-AA67-02](#)
[55462.19140](#) [G2E140-AG02-05](#) [R3G190-AB23-02](#) [55410.91750](#) [55462.19891](#) [G3G160-AC70-01](#) [R1G120-AD17-11](#) [R3G250-AM70-01](#)
[R2E225-RA02-47](#) [RER225-63/18/2TDMP](#) [R4E310-AO12-14](#)