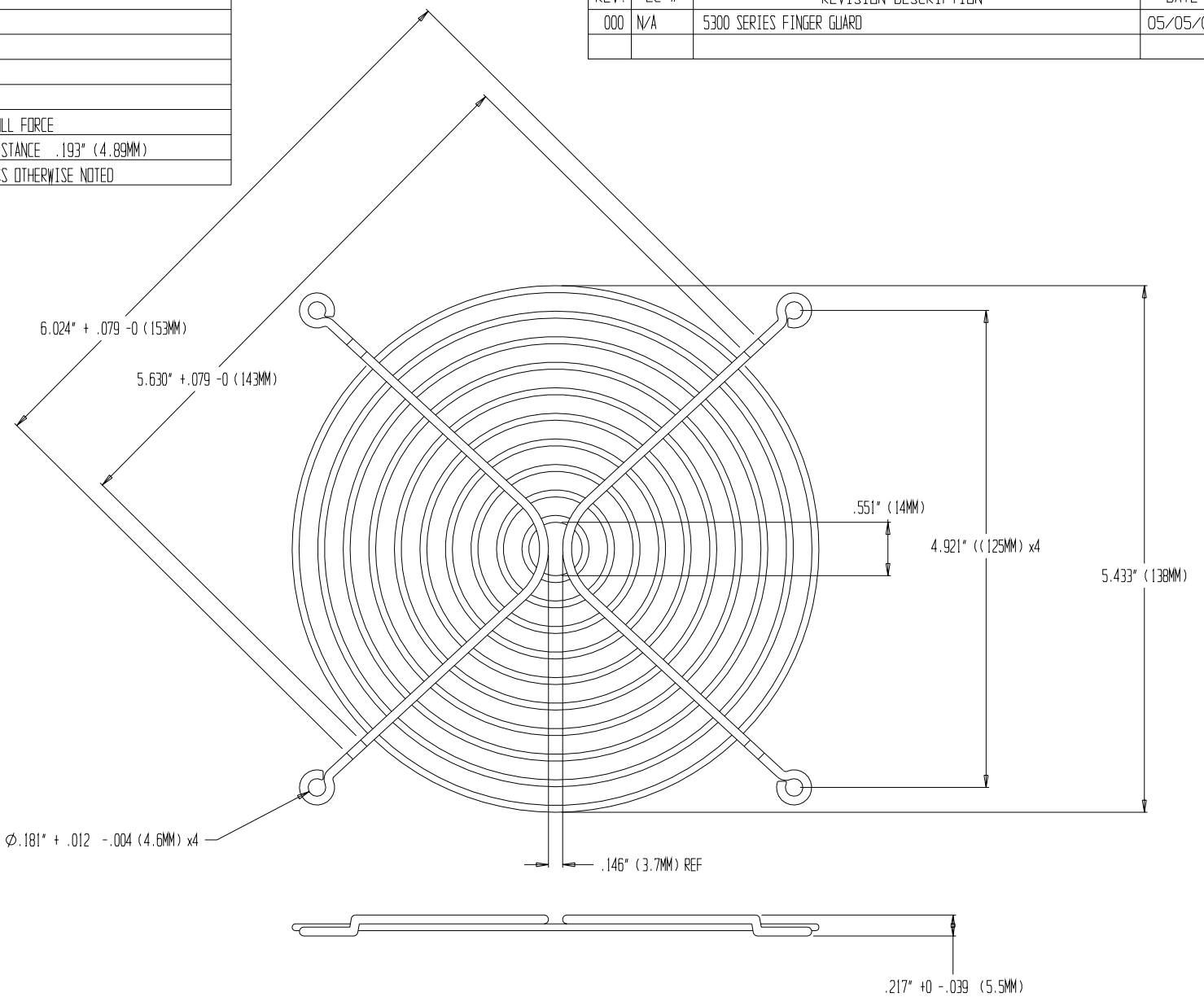


ebn-papst MFG. NOTES

1	MATERIAL: C1008 BRIGHT BASIC WIRE
2	FINISH: BRIGHT NICKEL CHROME
3	RINGS: .071" DIA. (1.8MM) X 10
4	RIBS: .091" DIA (2.3MM) X2
5	WELDED JOINTS TO WITHSTAND 88 LBS PULL FORCE
6	SPACING BETWEEN RINGS TO BE EQUAL DISTANCE .193" (4.89MM)
7	TOLERANCES ARE ± .020" (.5MM) UNLESS OTHERWISE NOTED

REV.	EC #	REVISION DESCRIPTION	DATE	D.ENG.	CHECKER
000	N/A	5300 SERIES FINGER GUARD	05/05/08	DTM	DTM



<p>ebn-papst Inc. DISCLOSURE</p> <p>THIS DOCUMENT IS THE PROPERTY OF ebn-papst Inc. ITS USE IS AUTHORIZED BY ebn-papst Inc. ONLY. ALL QUESTIONS MUST BE REFERRED TO ebn-papst Inc. PERSONNEL: DESIGN ENG., MFG.ENG., AND / OR PURCHASING.</p> <p>CAUTION: ANY PRINTED COPY IS UNCONTROLLED AND TO BE USED FOR REFERENCE ONLY. REFER TO ebn-papst In. CAD SYS. FOR VERIFICATION.</p> <p>Form No. 1073 Rev. H</p>	MATERIAL: SEE NOTES	BEND DEDUCTION N/A	PART NO. LZ53							
	FINISH: SEE NOTES	COSMETICS PER ebn-papst SPEC-Q-1	TITLE 5300 SERIES FINGER GUARD							
	IF APPLICABLE PLACE SECOND FINISH AND DESCRIPTION HERE	SEE CAD FOR DIMS. NOT SHOWN	FIRST USED ON LZ53							
	ALL INNER BEND RADII = 1mm BOTTOM BEND UNLESS OTHERWISE STATED	BREAK ALL SHARP EDGES								
TOLERANCES, UNLESS OTHERWISE STATED:	ALL DIMENSIONS ARE IN INCHES	DECIMAL .XXX ± .020	Holes .XXX ± .003	TOLERANCES FOR CNC FLAT .XXX EXCLUDING HOLE DIA. +/- .010		DESIGN ENG. DTM	ORIG. DATE 05/05/08	E# N/A	REVISION 000	SHEET 1 OF 1

X-ON Electronics

Largest Supplier of Electrical and Electronic Components

Click to view similar products for [Fan Accessories](#) category:

Click to view products by [ebm papst](#) manufacturer:

Other Similar products are found below :

[LZ31](#) [LZ32P-1](#) [63070-2-4013](#) [64442-1-7612](#) [71882-2-4053](#) [73816-2-3634](#) [854589-1](#) [95778-1-5171](#) [99485901](#) [1247-4-6254](#) [RF119](#) [2151-4-7320](#) [27453.32262](#) [95779-1-5171](#) [9614-2-4013](#) [99485906](#) [F92-B](#) [FG92-W2](#) [2170-4-7320](#) [27453.32241](#) [R88ACPU001M1](#) [R88ACPU001M2](#) [31570-2-4013](#) [LZ215](#) [LZ22-2](#) [LZ24-1](#) [LZ24B](#) [LZ30-9](#) [450-20-0021](#) [450-20-0025](#) [525-00-0009](#) [420-05-0276](#) [450-20-0017](#) [450-20-0020](#) [04.846.1353.0](#) [04.846.1453.0](#) [055032](#) [08121](#) [08188](#) [08195](#) [08196](#) [09576-2-4013](#) [54476-2-4013](#) [71883-2-4053](#) [52545-2-4037](#) [63071-2-4013](#) [52544-2-4037](#) [64445-1-7612](#) [66786-4-7320](#) [88601-2-2929](#)