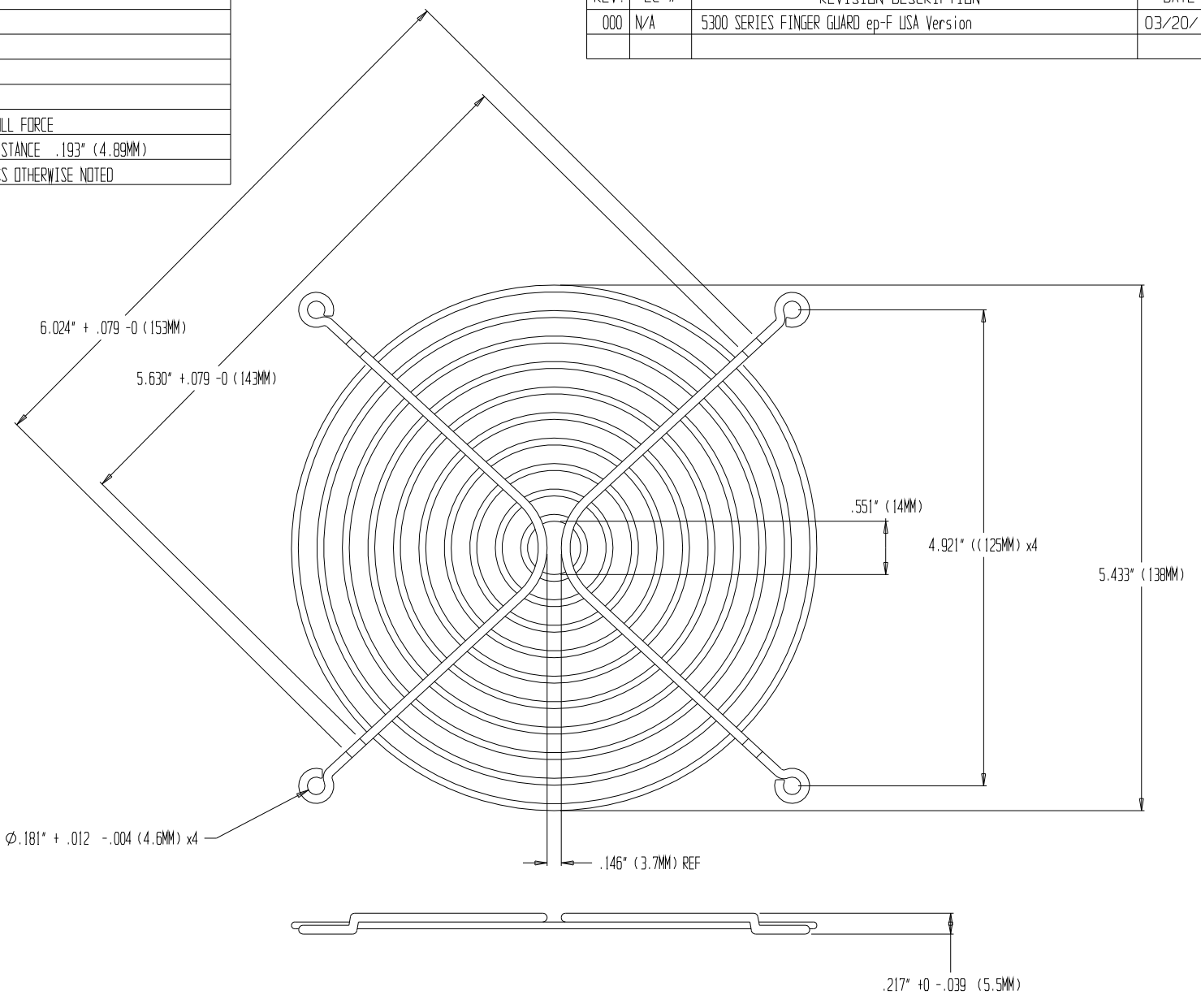


ebn-papst MFG. NOTES

1	MATERIAL: C1008 BRIGHT BASIC WIRE
2	FINISH: BRIGHT NICKEL CHROME
3	RINGS: .071" DIA. (1.8MM) X 10
4	RIBS: .091" DIA (2.3MM) X2
5	WELDED JOINTS TO WITHSTAND 88 LBS PULL FORCE
6	SPACING BETWEEN RINGS TO BE EQUAL DISTANCE .193" (4.89MM)
7	TOLERANCES ARE ± .020" (.5MM) UNLESS OTHERWISE NOTED

REV.	EC #	REVISION DESCRIPTION	DATE	D.ENG.	CHECKER
000	N/A	5300 SERIES FINGER GUARD ep-F USA Version	03/20/19	DTM	JPA



ebn-papst Inc. DISCLOSURE THIS DOCUMENT IS THE PROPERTY OF ebn-papst Inc. ITS USE IS AUTHORIZED BY ebn-papst Inc. ONLY. ALL QUESTIONS MUST BE REFERRED TO ebn-papst Inc. PERSONNEL: DESIGN ENG., MFG.ENG., AND / OR PURCHASING. CAUTION: ANY PRINTED COPY IS UNCONTROLLED AND TO BE USED FOR REFERENCE ONLY. REFER TO ebn-papst In. CAD SYS. FOR VERIFICATION. Form No. 1073 Rev. H		MATERIAL: SEE NOTES FINISH: SEE NOTES IF APPLICABLE PLACE SECOND FINISH AND DESCRIPTION HERE ALL INNER BEND RADII = 1mm BOTTOM BEND UNLESS OTHERWISE STATED TOLERANCES, UNLESS OTHERWISE STATED:		BEND DEDUCTION N/A COSMETICS PER ebn-papst SPEC-Q-1 SEE CAD FOR DIMS. NOT SHOWN BREAK ALL SHARP EDGES ALL DIMENSIONS ARE IN INCHES		PART NO. LZ53-EPF TITLE 5300 SERIES F. GUARD ep-F USA FIRST USED ON LZ53-EPF		
DECIMAL .XXX ± .020 TOLERANCE .XX ± .030		HOLES .XXX ± .003 ANGLES ± 1° REF		TOLERANCES FOR CNC FLAT .XXX EXCLUDING HOLE DIA. +/- .010		DESIGN ENG. DTM ORIG DATE 03/20/19 E# N/A		

X-ON Electronics

Largest Supplier of Electrical and Electronic Components

Click to view similar products for [Fan Accessories](#) category:

Click to view products by [ebm papst](#) manufacturer:

Other Similar products are found below :

[LZ31](#) [LZ32P-1](#) [63070-2-4013](#) [64442-1-7612](#) [71882-2-4053](#) [73816-2-3634](#) [854589-1](#) [95778-1-5171](#) [99485901](#) [1247-4-6254](#) [RF119](#) [2151-4-7320](#) [27453.32262](#) [95779-1-5171](#) [9614-2-4013](#) [99485906](#) [F92-B](#) [FG92-W2](#) [2170-4-7320](#) [27453.32241](#) [R88ACPU001M1](#) [R88ACPU001M2](#) [31570-2-4013](#) [LZ215](#) [LZ22-2](#) [LZ24-1](#) [LZ24B](#) [LZ30-9](#) [450-20-0021](#) [450-20-0025](#) [525-00-0009](#) [420-05-0276](#) [450-20-0017](#) [450-20-0020](#) [04.846.1353.0](#) [04.846.1453.0](#) [055032](#) [08121](#) [08188](#) [08195](#) [08196](#) [09576-2-4013](#) [54476-2-4013](#) [71883-2-4053](#) [52545-2-4037](#) [63071-2-4013](#) [52544-2-4037](#) [64445-1-7612](#) [66786-4-7320](#) [88601-2-2929](#)