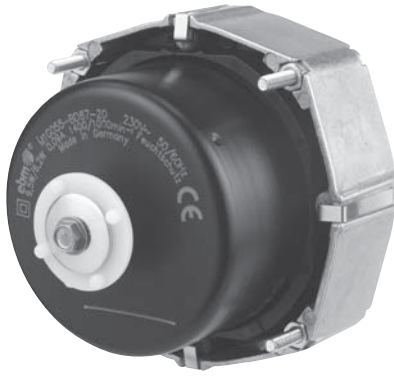


M1G055 Series

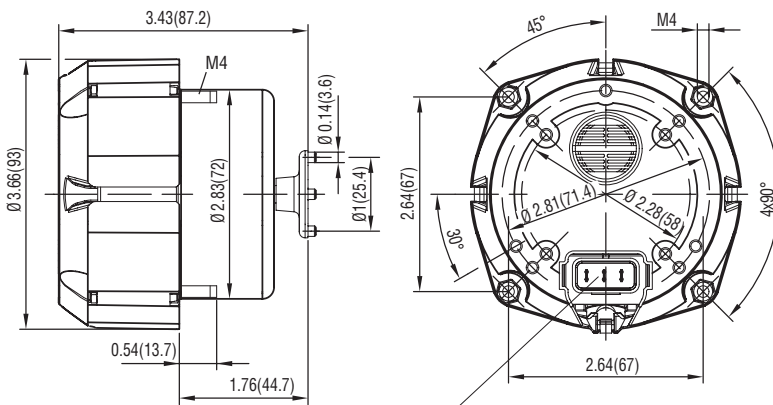
Motors

1/50 HP Refrigeration Fan Motor (ESM)

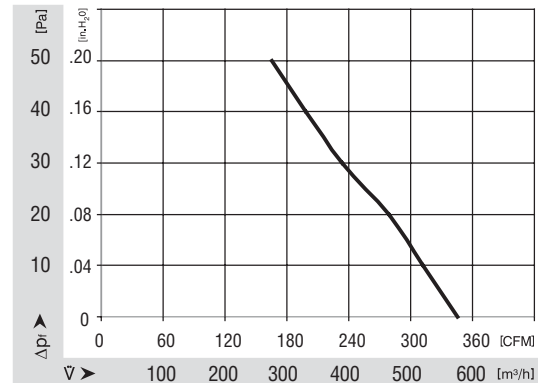
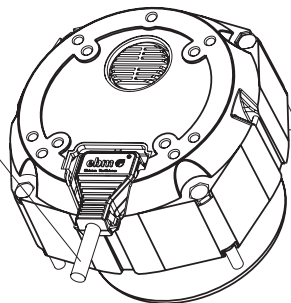


- EC-motor with completely integrated electronics
- AC-line operation
- Proven external rotor motor principle
- Power output up to 14 Watt at 1550 RPM
- Moisture protection suitable for commercial refrigeration
- Ball bearings
- High life expectancy > 40,000 hours

Part Number	CFM @ 0	VAC	Hertz	Power Output (W)	Max. Amb. Temp. C	Speed (RPM)	Wgt. (lbs)
M1G055-BD97-47	338*	115	50/60	14	40	1550	1.87



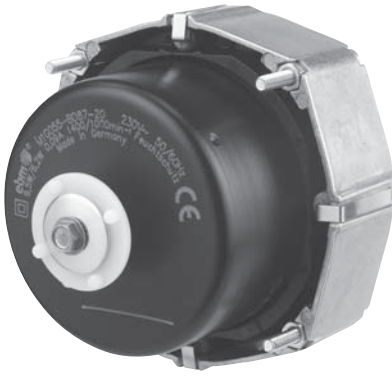
incl. mains cable with plug (450 mm length)



*Note: Measured with 5-bladed sheet metal impeller 9-inch/22°

M1G055 Series cont. Motors

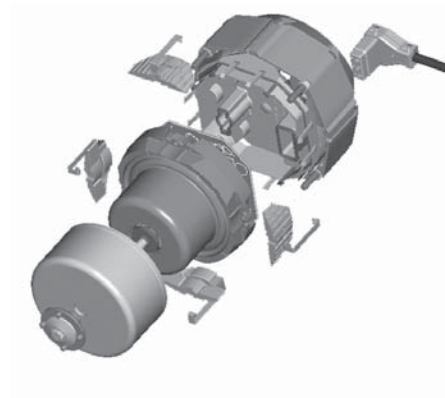
1/50 HP Refrigeration Fan Motor (ESM)



- Substitutes standard motors due to common footprint
- Use with standard sheet metal impellers
- Complete range of accessories:
 - ▶ Flat fan guards
 - ▶ Basket fan guards
 - ▶ Wall-rings with motor mounts

Technical Data

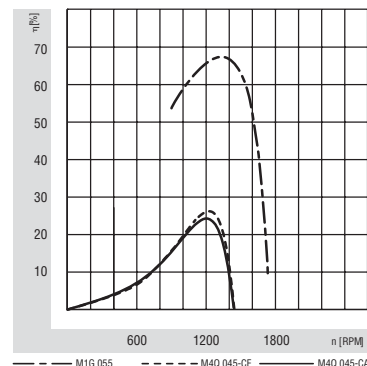
▶ Speed:	1550 RPM
▶ Rated Voltage:	115 VAC
▶ Mains Frequency:	50/60 Hz
▶ Approvals:	CE, VDE EN60335, UL1004
▶ Interference Emission:	EN50081-1
▶ Interference Immunity:	EN61000-6-2
▶ Protection Class:	2
▶ Type of Protection:	IP44
▶ Weight:	1.87 lbs (0.85 kg)
▶ Ambient Temperature:	-30° C - 40° C



Optimized Efficiency

- ▶ Efficiency > 65 %
- ▶ Only 1/3 of the power input of shaded-pole motors
- ▶ Little heat load
- ▶ Quick pay back

Comparison in efficiency curves of the ESM and standard shaded-pole motor



X-ON Electronics

Largest Supplier of Electrical and Electronic Components

Click to view similar products for [AC, DC & Servo Motors](#) category:

Click to view products by [ebm papst](#) manufacturer:

Other Similar products are found below :

[M2E068-DF13-79](#) [79207644](#) [805470B40040MY](#) [80807028](#) [808070Y01125Z](#) [808550Y00049Z](#) [823055C10001MWY](#) [82520405](#) [82664024](#)
[82802504](#) [R88MK10030H](#) [HG16-240-AB-00](#) [M4E068-EC03-01](#) [M4E068-CF01-01](#) [79265119](#) [80510503](#) [805470A40040MY](#)
[805470B40020MY](#) [80627003](#) [808070Y00250Y](#) [808070Y83.33Y](#) [823055A20001MW](#) [825140A40010MP](#) [825290C43.75MX](#) [82714023](#)
[82800003](#) [82830009](#) [82810017](#) [R88M-K90010F-S2](#) [R88M-K1K030H-S2](#) [89830012](#) [82840003](#) [82840004](#) [82869011](#) [82524021](#) [82862202](#)
[82869006](#) [82861013](#) [80803009](#) [80547015](#) [82862205](#) [R88M-K40030T-B](#) [80527006](#) [82330514](#) [81021118](#) [82524004](#) [89800008](#) [82867009](#)
[82662564](#) [82662515](#)