

ebm-papst Mulfingen GmbH & Co. KG

Bachmühle 2 · D-74673 Mulfingen

Phone +49 7938 81-0

Fax +49 7938 81-110

info1@de.ebmpapst.com

www.ebmpapst.com

Limited partnership · Headquarters Mulfingen

County court Stuttgart · HRA 590344

General partner Elektrobau Mulfingen GmbH · Headquarters Mulfingen

County court Stuttgart · HRB 590142

Nominal data

| | | | |
|-------------------------------|-----------------------|------|------|
| Type | M4Q045-CF01-01 | | |
| Motor | M4Q045-CF | | |
| Phase | | 1~ | 1~ |
| Nominal voltage | VAC | 230 | 230 |
| Frequency | Hz | 50 | 60 |
| Type of data definition | | me | me |
| Valid for approval / standard | | CE | CE |
| Speed | min ⁻¹ | 1300 | 1550 |
| Power input | W | 60 | 58 |
| Power output | W | 16 | 16 |
| Current draw | A | 0.42 | 0.36 |
| Min. ambient temperature | °C | -30 | -30 |
| Max. ambient temperature | °C | 40 | 40 |
| Starting current | A | 0.58 | 0.5 |

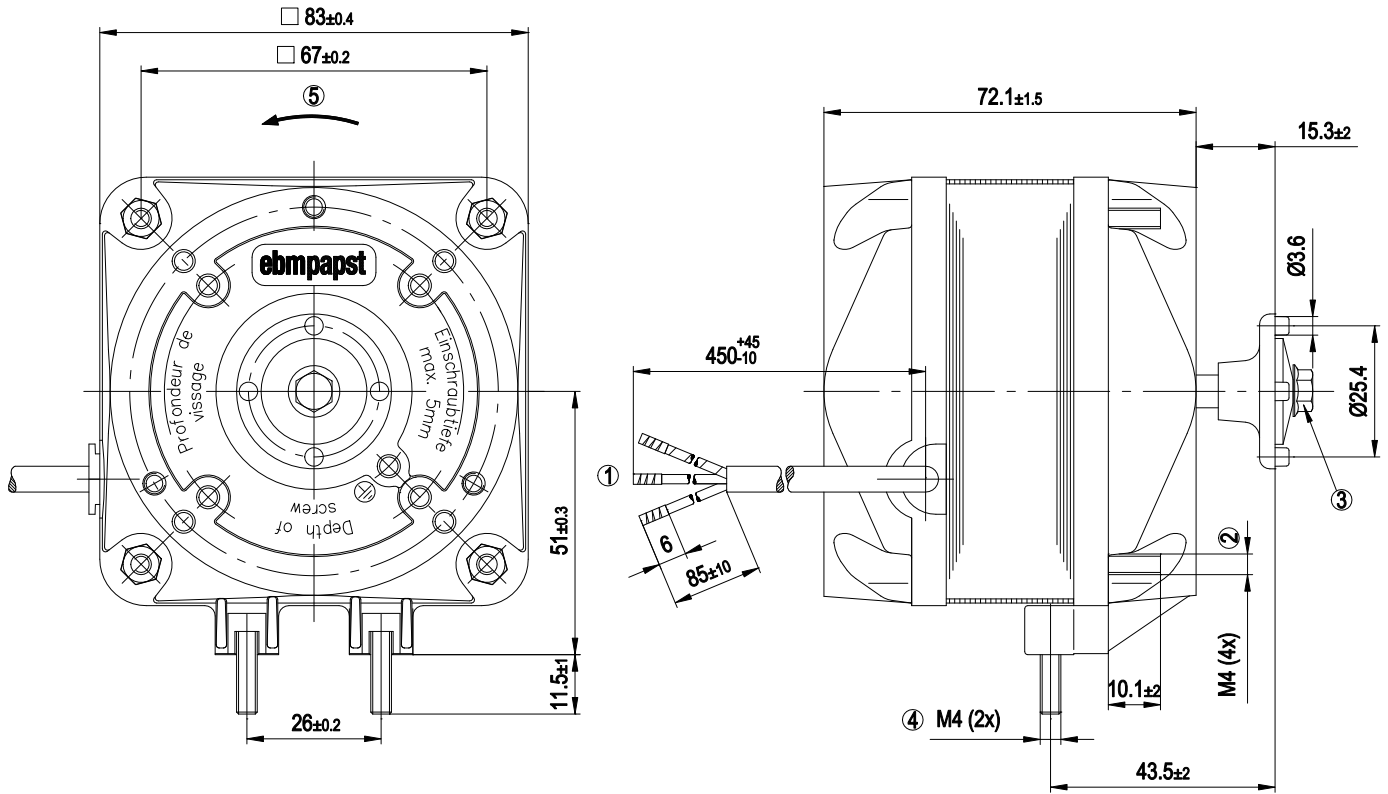
ml = max. load · me = max. efficiency · fa = running at free air · cs = customer specs · cu = customer unit
Subject to alterations



Technical features

| | |
|---|---|
| Mass | 1.3 kg |
| Size | 45 mm |
| Material of end shield | Die-cast aluminium |
| Direction of rotation | Counter-clockwise, seen on rotor |
| Type of protection | IP 42; Depending on installation and position |
| Insulation class | "B" |
| Max. permissible ambient motor temp. (transp./ storage) | + 80 °C |
| Min. permissible ambient motor temp. (transp./storage) | - 40 °C |
| Mounting position | Any |
| Condensate discharge holes | None |
| Operation mode | S1 |
| Motor bearing | Calotte bearing |
| Touch current acc. IEC 60990 (measuring network Fig. 4, TN system) | < 0.75 mA |
| Motor protection | Thermal overload protector (TOP) wired internally |
| Cable exit | Lateral |
| Protection class | I (if protective earth is connected by customer) |
| Product conforming to standard | EN 60335-1; CE |
| Approval | VDE |

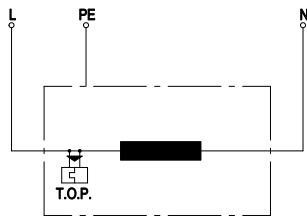
Product drawing



| | |
|---|--|
| 1 | Connection line PVC 0.5 mm ² , 3x brass lead tips crimped |
| 2 | Nut tightening torque, for fastening the wall ring or guard grille: 2,3 Nm |
| 3 | Screw tightening torque, for fastening the impeller: 1,4 Nm |
| 4 | Nut tightening torque, for fastening the mounting bracket: 2,3 Nm |
| 5 | Direction of rotation counter-clockwise, seen on shaft end |

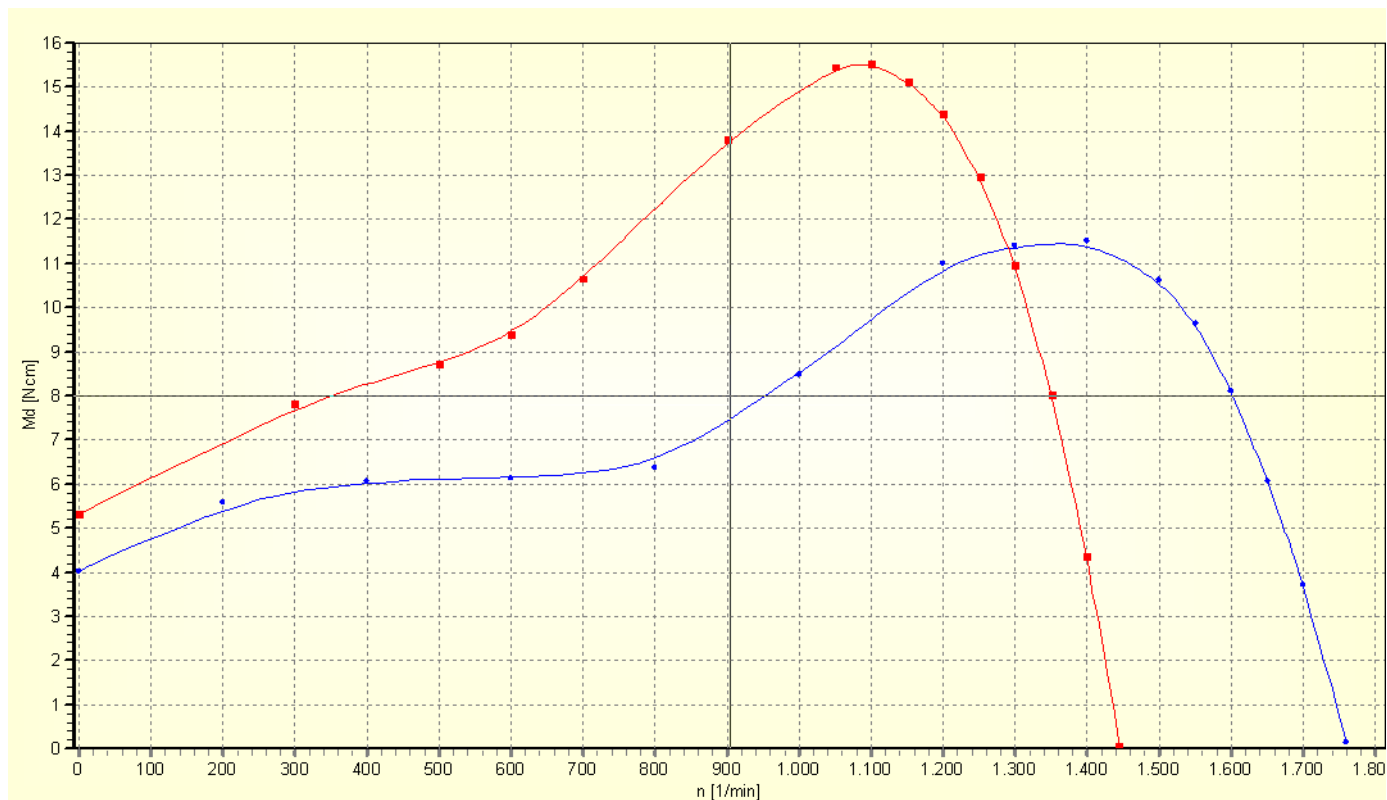


Connection screen



| | |
|-----|------------------------------|
| L | = blue |
| PE | = green / yellow |
| N | = brown |
| TOP | = Thermal overload protector |

Charts: Speed



X-ON Electronics

Largest Supplier of Electrical and Electronic Components

Click to view similar products for [AC, DC & Servo Motors](#) category:

Click to view products by [ebm papst](#) manufacturer:

Other Similar products are found below :

[M2E068-DF13-79](#) [79207644](#) [805470B40040MY](#) [80807028](#) [808070Y01125Z](#) [808550Y00049Z](#) [823055C10001MWY](#) [82520405](#) [82664024](#)
[82802504](#) [R88MK10030H](#) [M4E068-EC03-01](#) [M4E068-CF01-01](#) [79265119](#) [80510503](#) [805470A40040MY](#) [805470B40020MY](#) [80627003](#)
[808070Y00250Y](#) [808070Y83.33Y](#) [823055A20001MW](#) [825140A40010MP](#) [825290C43.75MX](#) [82714023](#) [82800003](#) [82830009](#) [82810017](#)
[R88M-K90010F-S2](#) [R88M-K1K030H-S2](#) [89830012](#) [82840003](#) [82840004](#) [82869011](#) [82524021](#) [82862202](#) [82869006](#) [82861013](#) [80803009](#)
[80547015](#) [82862205](#) [R88M-K40030T-B](#) [80527006](#) [82330514](#) [81021118](#) [82524004](#) [89800008](#) [82867009](#) [82662564](#) [82662515](#) [82600041](#)