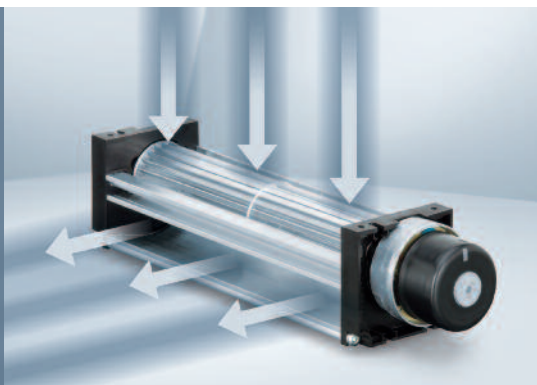


Max. 155 m³/h

DC tangential fans

201...413 x 50 x 48 mm



- **Material:** Housing: Aluminum
Housing side parts: Plastic
Impeller: Aluminum
- **Direction of air flow:** See photo
- **Connection:** via single wires AWG 24, TR 64
- **Highlights:** Motor with ball bearing system
Impeller retaining plate with sleeve bearing
- **Weight:** 235 / 290 / 380 / 415 g
- **Possible special versions:** (See chapter DC fans - specials)
 - Speed signal
 - Moisture protection

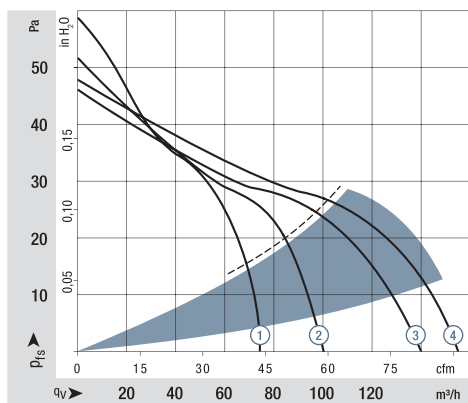
Nominal data	Air flow		Nominal voltage	Voltage range	Sound pressure level	Sound power level	Sinter sleeve bearings		Power consumption	Temperature range	Service life L ₁₀ (40 °C) ebm-papst standard	Service life L ₁₀ (T _{max}) ebm-papst standard	Life expectancy L ₁₀ IPC (40 °C) see page 17	Curve
	m ³ /h	cfm					VDC	VDC						
QG 030-148/12	75	44	12	8...14	49	5.7	□/■	6.2	-20...+60	30 000 / 20 000	50 000	①		
QG 030-198/12	100	59	12	8...14	51	5.8	□/■	8,0	-20...+60	30 000 / 20 000	50 000	②		
QG 030-303/12	140	82	12	8...14	51	5.8	□/■	8.7	-20...+60	30 000 / 20 000	50 000	③		
QG 030-353/12	155	91	12	8...14	51	5.9	□/■	9.6	-20...+60	30 000 / 20 000	50 000	④		
QG 030-148/14	75	44	24	16...28	49	5.7	□/■	6.2	-20...+60	30 000 / 20 000	50 000	①		
QG 030-198/14	100	59	24	16...28	51	5.8	□/■	8.0	-20...+60	30 000 / 20 000	50 000	②		
QG 030-303/14	140	82	24	16...28	51	5.8	□/■	8.7	-20...+60	30 000 / 20 000	50 000	③		
QG 030-353/14	155	91	24	16...28	51	5.9	□/■	9.6	-20...+60	30 000 / 20 000	50 000	④		

Subject to change

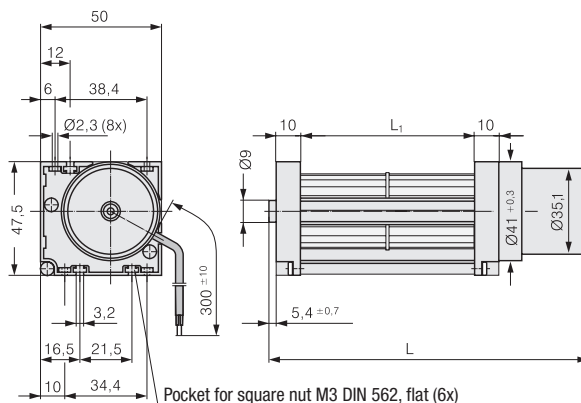
The values for service life were recorded with the fan installed horizontally.

Type	Dimension:	L	L ₁	Mass
QG 030-148/ ..		203.4 ^{+1.5}	148	235 g
QG 030-198/ ..		260.4 ^{+1.5}	198	290 g
QG 030-303/ ..		365.4 ^{+1.5}	303	380 g
QG 030-353/ ..		415.4 ^{+1.5}	353	415 g

----- Tangential fans are suitable only for operation with high air flow and low back-pressure.



Air performance measured according to: ISO 5801.
Installation category A, without contact protection.
Noise: Total sound power level LWA ISO 103002 measured on a hemisphere with a radius of 2 m.
Sound pressure level LpA measured at 1 m distance to fan axis.
The values given are applicable only under the specified measuring conditions and may differ depending on the installation conditions.
In the event of deviation from the standard configuration, the parameters must be checked after installation!
For detailed information see <http://www.ebmpapst.com/general conditions>



Pocket for square nut M3 DIN 562, flat (6x)

X-ON Electronics

Largest Supplier of Electrical and Electronic Components

Click to view similar products for [Blowers & Centrifugal Fans](#) category:

Click to view products by [ebm papst](#) manufacturer:

Other Similar products are found below :

[MKEL-DRB](#) [R2D140-AB02-14](#) [R2D160-AC02-13](#) [R4D310-AS18-01](#) [R4D400-AD22-06](#) [R4E180-AS11-09](#) [R4S175-AA16-12](#) [AIF60112](#)
[AIF801724](#) [RLF35-812N2P-103](#) [DOP-EXI014RAE](#) [BR300W400](#) [KFB1724VHT-AF00](#) [KFC1048DS-S45D](#) [AIF641714](#) [CME-COP01](#)
[R1G220-AB07-09](#) [R2E180CH0312](#) [R2S150-AD08-09](#) [RD20S-4/210660](#) [RH56M-6/204689](#) [D2E146-CD51-09](#) [TP04G-AS2](#) [TP05G-BT2](#)
[TP-PCC](#) [BR200W250](#) [D4E133-AA01-51](#) [D4E133-DH61-D1](#) [DFD0612H/SPECTRA](#) [DOP-EXI028RAE](#) [55462.19890](#) [K1G200-AA73-02](#)
[G2D160-AF02-01](#) [G2E150-BA52-07](#) [G2S150-AB56-42](#) [D4E225-BC01-02](#) [R2D225-AV02-14](#) [D2E146-HT67-63](#) [K1G220-AA67-02](#)
[55462.19140](#) [G2E140-AG02-05](#) [R3G190-AB23-02](#) [55410.91750](#) [55462.19891](#) [G3G160-AC70-01](#) [R1G120-AD17-11](#) [R3G250-AM70-01](#)
[R2E225-RA02-47](#) [RER225-63/18/2TDMP](#) [R4E310-AO12-14](#)