

R1G225-AF11-14

# EC centrifugal fan

backward-curved, single-intake



## ebm-papst Mulfingen GmbH & Co. KG

Bachmühle 2 · D-74673 Mulfingen

Phone +49 7938 81-0

Fax +49 7938 81-110

info1@de.ebmpapst.com

www.ebmpapst.com

Limited partnership · Headquarters Mulfingen

Amtsgericht (court of registration) Stuttgart · HRA 590344

General partner Elektrobau Mulfingen GmbH · Headquarters Mulfingen

Amtsgericht (court of registration) Stuttgart · HRB 590142

## Nominal data

Type	R1G225-AF11-14	
Motor	M1G074-BF	
Nominal voltage	VDC	48
Nominal voltage range	VDC	36 .. 57
Frequency	Hz	-
Method of obtaining data		fa
Speed (rpm)	min <sup>-1</sup>	2700
Power consumption	W	95
Current draw	A	2.2
Min. ambient temperature	°C	-25
Max. ambient temperature	°C	60

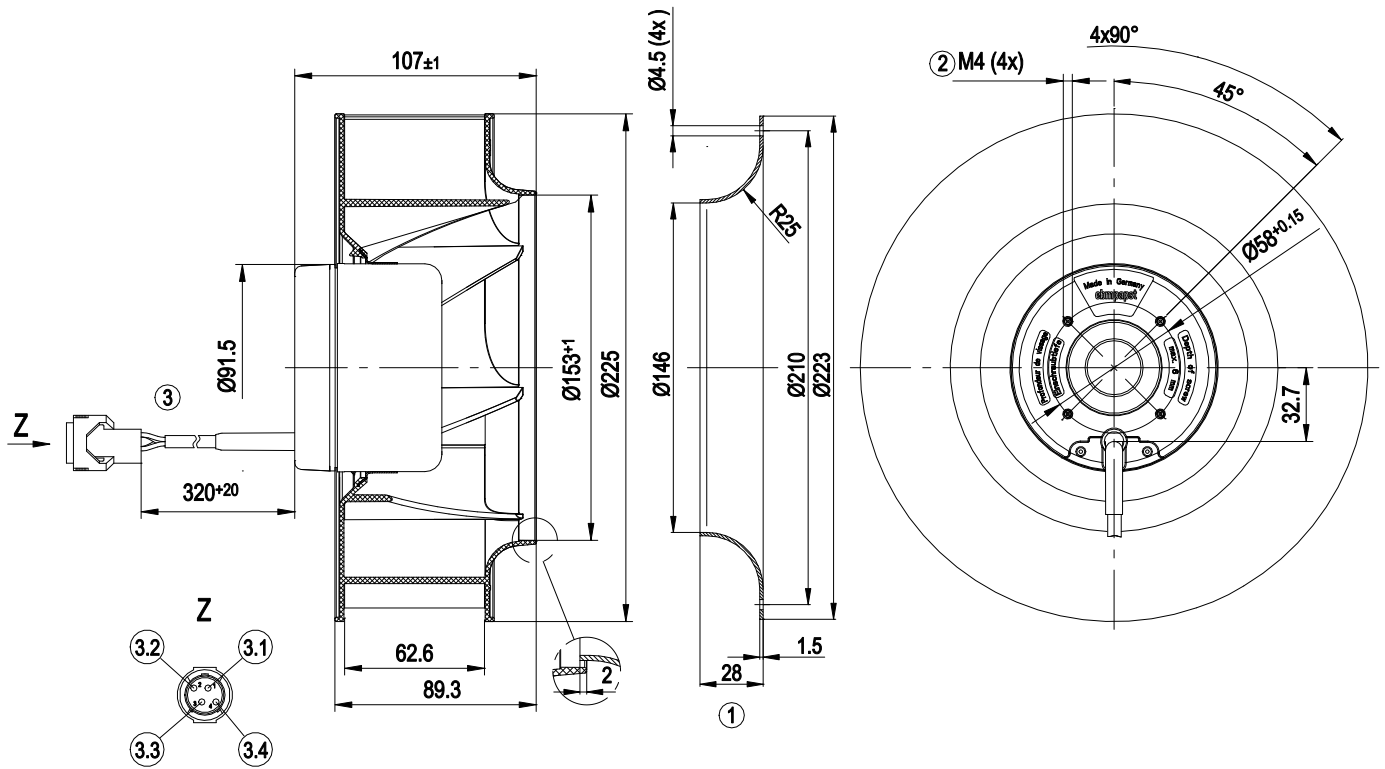
ml = Max. load · me = Max. efficiency · fa = Free air · cs = Customer specification · ce = Customer equipment  
Subject to change



## Technical description

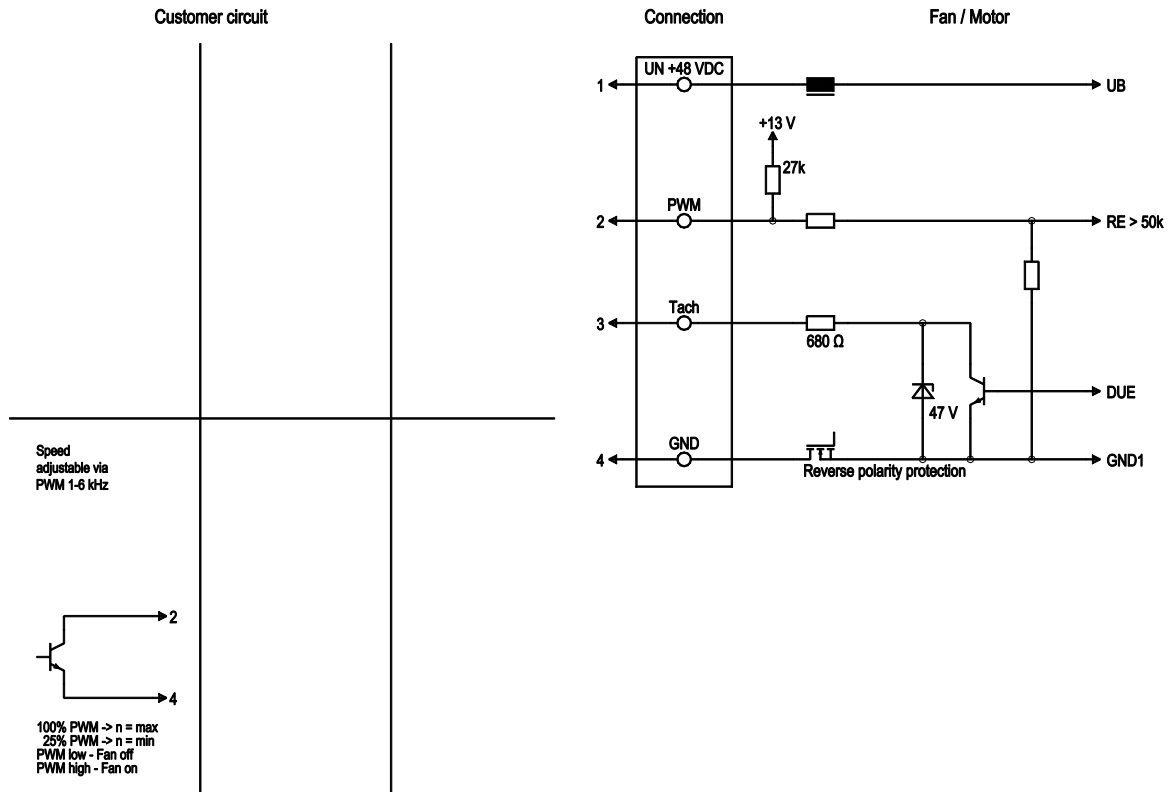
<b>Weight</b>	1.6 kg
<b>Size</b>	225 mm
<b>Motor size</b>	74
<b>Rotor surface</b>	Painted black
<b>Impeller material</b>	PA plastic
<b>Number of blades</b>	7
<b>Direction of rotation</b>	Clockwise, viewed toward rotor
<b>Degree of protection</b>	IP44
<b>Insulation class</b>	"B"
<b>Moisture (F) / Environmental (H) protection class</b>	F4-1
<b>Max. permitted ambient temp. for motor (transport/storage)</b>	+80 °C
<b>Min. permitted ambient temp. for motor (transport/storage)</b>	-40 °C
<b>Installation position</b>	Any
<b>Condensation drainage holes</b>	None
<b>Mode</b>	S1
<b>Motor mounting</b>	Ball bearing
<b>Technical features</b>	<ul style="list-style-type: none"> <li>- Tach output</li> <li>- Motor current limitation</li> <li>- Soft start</li> <li>- PWM control input</li> </ul>
<b>EMC immunity to interference</b>	According to EN 61000-6-2 (industrial environment)
<b>EMC interference emission</b>	According to EN 55022 (Class B, household environment)
<b>Electrical hookup</b>	Plug
<b>Motor protection</b>	Reverse polarity and locked-rotor protection
<b>With cable</b>	Variable
<b>Conformity with standards</b>	EN 60950-1
<b>Approval</b>	UL 1004-1; CSA C22.2 No. 77

Product drawing



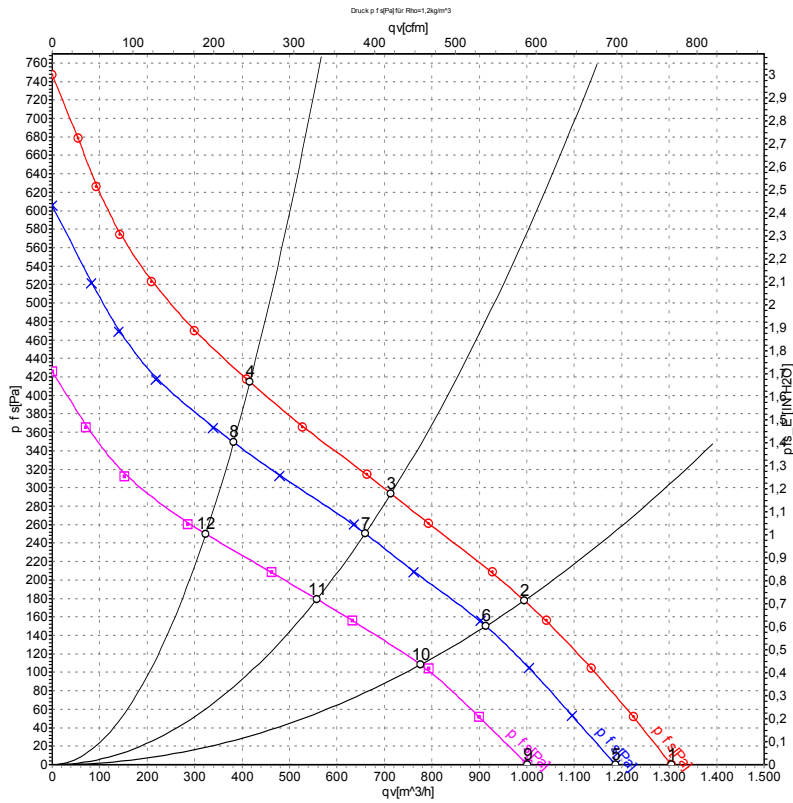
1	Accessory part: inlet ring 96358-2-4013 not included in scope of delivery
2	Max. clearance for screw 6 mm
3	Cable PVC AWG20 with 4-pole connector housing AMP 207571-1
3.1	UN +48 VDC (red)
3.2	GND (blue)
3.3	PWM (black)
3.4	Fan good / fan bad (white)

## Connection diagram



No.	Conn.	Designation	Color	Function/assignment
1	1	UN +48 VDC	red	Power supply 48 VDC, maximum ripple 3.5%
1	2	PWM	black	PWM control input
1	3	Tach	white	Fan good / fan bad evaluation, n < 1510 rpm = high (fan bad), n > 1620 rpm = low (fan good), Isink max = 10 mA
1	4	GND	blue	Reference ground

## Curves: Air performance



Measurement: LU-54451-1  
 Measurement: LU-54450-1  
 Measurement: LU-54452-1

Air performance measured according to ISO 5801 installation category A. For detailed information on the measurement setup, contact ebmpapst. Intake sound level: Sound power level according to ISO 13347 / sound pressure level measured at 1 m distance from fan axis. The values given are valid under the specified measuring conditions and may vary due to conditions of installation. For deviations from the standard configuration, the parameters have to be checked on the installed unit.

## Measured values

	U	n	P <sub>ed</sub>	I	q <sub>v</sub>	p <sub>fs</sub>	q <sub>v</sub>	p <sub>fs</sub>
	V	min <sup>-1</sup>	W	A	m <sup>3</sup> /h	Pa	cfm	in. wg
1	57	2865	118	2.52	1305	0	770	0.00
2	57	2690	123	2.68	995	178	585	0.71
3	57	2605	126	2.75	715	294	420	1.18
4	57	2705	123	2.66	415	414	245	1.66
5	48	2600	90	2.20	1185	0	700	0.00
6	48	2495	94	2.36	915	150	540	0.60
7	48	2405	99	2.49	660	250	390	1.00
8	48	2485	95	2.39	380	350	225	1.41
9	36	2200	53	1.75	1000	0	590	0.00
10	36	2105	58	1.93	775	110	455	0.44
11	36	2050	60	1.99	560	179	330	0.72
12	36	2110	58	1.92	325	249	190	1.00

U = Power supply · n = Speed (rpm) · P<sub>ed</sub> = Power consumption · I = Current draw · q<sub>v</sub> = Air flow · p<sub>fs</sub> = Pressure increase



## X-ON Electronics

Largest Supplier of Electrical and Electronic Components

*Click to view similar products for [Blowers & Centrifugal Fans](#) category:*

*Click to view products by [ebm papst](#) manufacturer:*

Other Similar products are found below :

[MKEL-DRB](#) [R2D140-AB02-14](#) [R2D160-AC02-13](#) [R4D310-AS18-01](#) [R4D400-AD22-06](#) [R4E180-AS11-09](#) [R4S175-AA16-12](#) [AIF60112](#)  
[AIF801724](#) [RLF35-812N2P-103](#) [DOP-EXI014RAE](#) [BR300W400](#) [KFB1724VHT-AF00](#) [KFC1048DS-S45D](#) [AIF641714](#) [CME-COP01](#)  
[R1G220-AB07-09](#) [R2E180CH0312](#) [R2S150-AD08-09](#) [RD20S-4/210660](#) [RH56M-6/204689](#) [D2E146-CD51-09](#) [TP04G-AS2](#) [TP05G-BT2](#)  
[TP-PCC](#) [BR200W250](#) [D4E133-AA01-51](#) [D4E133-DH61-D1](#) [DFD0612H/SPECTRA](#) [DOP-EXI028RAE](#) [55462.19890](#) [K1G200-AA73-02](#)  
[G2D160-AF02-01](#) [G2E150-BA52-07](#) [G2S150-AB56-42](#) [D4E225-BC01-02](#) [R2D225-AV02-14](#) [D2E146-HT67-63](#) [K1G220-AA67-02](#)  
[55462.19140](#) [G2E140-AG02-05](#) [R3G190-AB23-02](#) [55410.91750](#) [55462.19891](#) [G3G160-AC70-01](#) [R1G120-AD17-11](#) [R3G250-AM70-01](#)  
[R2E225-RA02-47](#) [RER225-63/18/2TDMP](#) [R4E310-AO12-14](#)