

ebm-papst Mulfingen GmbH & Co. KG

Bachmühle 2 · D-74673 Mulfingen

Phone +49 7938 81-0

Fax +49 7938 81-110

info1@de.ebmpapst.com

www.ebmpapst.com

Limited partnership · Headquarters Mulfingen

Amtsgericht (court of registration) Stuttgart · HRA 590344

General partner Elektrobau Mulfingen GmbH · Headquarters Mulfingen

Amtsgericht (court of registration) Stuttgart · HRB 590142

Nominal data

Type	R2E225-BA47-11		
Motor	M2E068-EC		
Phase		1~	1~
Nominal voltage	VAC	230	230
Frequency	Hz	50	60
Method of obtaining data		fa	fa
Valid for approval/standard		-	-
Speed (rpm)	min ⁻¹	2650	3000
Power consumption	W	145	205
Current draw	A	0.63	0.9
Capacitor	µF	5	5
Capacitor voltage	VDB	400	400
Min. back pressure	Pa	0	0
Min. back pressure	inH ₂ O	0	0
Min. ambient temperature	°C	-25	-25
Max. ambient temperature	°C	75	75

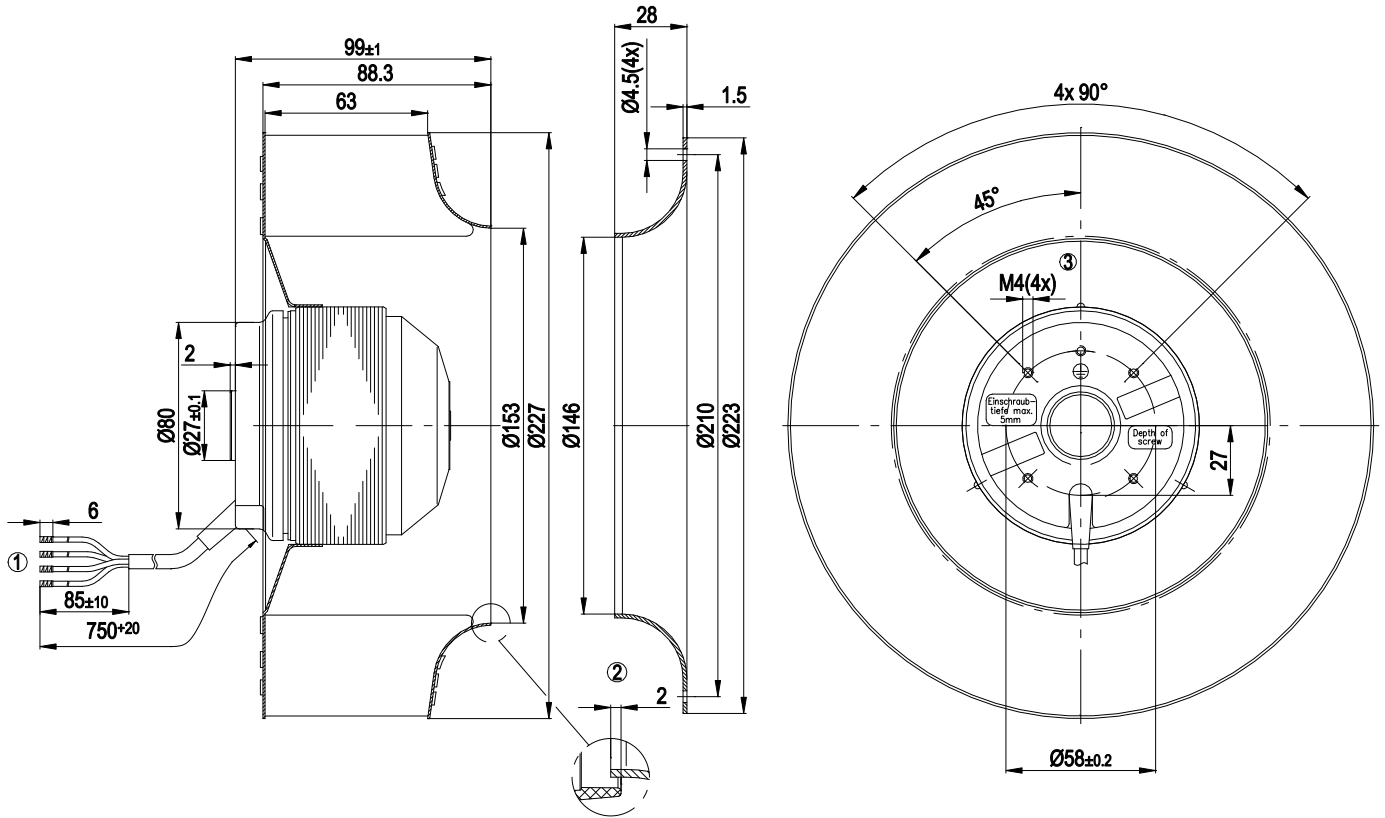
ml = Max. load · me = Max. efficiency · fa = Free air · cs = Customer specification · ce = Customer equipment
Subject to change



Technical description

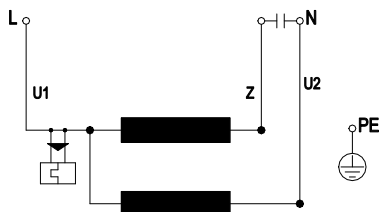
Weight	3.1 kg
Fan size	225 mm
Rotor surface	Painted black
Impeller material	Sheet steel, painted black
Number of blades	11
Direction of rotation	Clockwise, viewed toward rotor
Degree of protection	IP44; installation- and position-dependent
Insulation class	"F"
Moisture (F) / Environmental (H) protection class	H0 - dry environment
Max. permitted ambient temp. for motor (transport/storage)	+ 80 °C
Min. permitted ambient temp. for motor (transport/storage)	- 40 °C
Installation position	Any
Condensation drainage holes	None
Mode	S1
Motor bearing	Ball bearing
Touch current according to IEC 60990 (measuring circuit Fig. 4, TN system)	< 0.75 mA
Motor protection	Thermal overload protector (TOP) internally connected
With cable	Variable
Protection class	I (with customer connection of protective earth)
Conformity with standards	EN 60335-1
Approval	CCC

Product drawing



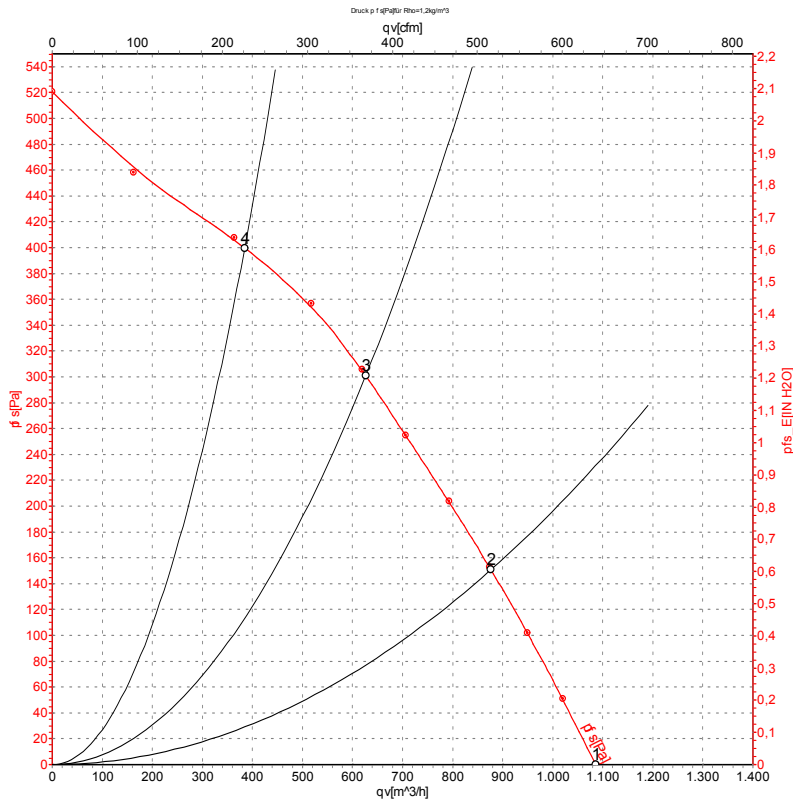
1	Cable silicone 4G0.5, 4x crimped splices
2	Accessory part: Inlet ring 96358-2-4013, not included in scope of delivery
3	Max. clearance for screw 5 mm

Connection diagram



U1	blue	Z	brown	U2	black
PE	green/yellow				

Curves: Air performance 50 Hz



Measurement: LU-30832-1

Air performance measured according to ISO 5801 installation category A. For detailed information on the measurement setup, contact ebm-papst. Intake sound level: Sound power level according to ISO 13347 / sound pressure level measured at 1 m distance from fan axis. The values given are valid under the specified measuring conditions and may vary due to conditions of installation. For deviations from the standard configuration, the parameters have to be checked on the installed unit.

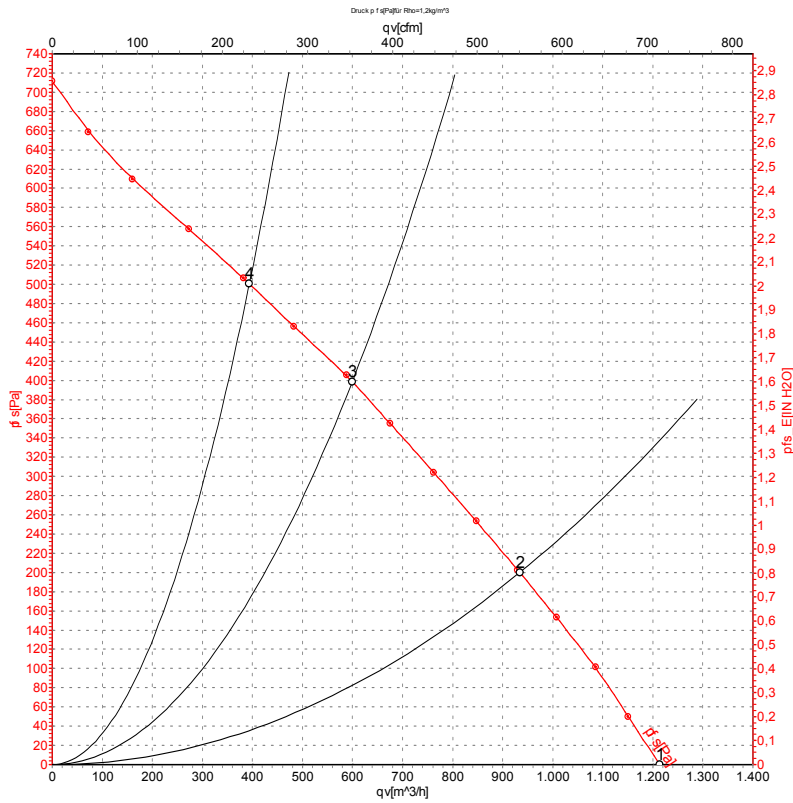
Measured values

	U	f	n	P _e	I	q _v	p _{fs}	q _v	p _{fs}
	V	Hz	min ⁻¹	W	A	m ³ /h	Pa	CFM	inH ₂ O
1	230	50	2650	145	0.63	1085	0	640	0.00
2	230	50	2630	156	0.67	875	150	515	0.60
3	230	50	2595	164	0.71	625	300	370	1.20
4	230	50	2645	152	0.66	385	400	225	1.61

U = Power supply · f = Frequency · n = Speed (rpm) · P_e = Power consumption · I = Current draw · q_v = Air flow · p_{fs} = Pressure increase



Curves: Air performance 60 Hz



Measurement: LU-30833-1

Air performance measured according to ISO 5801 installation category A. For detailed information on the measurement setup, contact ebm-papst. Intake sound level: Sound power level according to ISO 13347 / sound pressure level measured at 1 m distance from fan axis. The values given are valid under the specified measuring conditions and may vary due to conditions of installation. For deviations from the standard configuration, the parameters have to be checked on the installed unit.

Measured values

	U	f	n	P _e	I	qv	p _{fs}	qv	p _{fs}
	V	Hz	min ⁻¹	W	A	m³/h	Pa	CFM	inH2O
1	230	60	3000	205	0.90	1215	0	715	0.00
2	230	60	2870	221	0.97	935	200	550	0.80
3	230	60	2820	228	1.00	600	400	355	1.61
4	230	60	2935	211	0.93	395	500	230	2.01

U = Power supply · f = Frequency · n = Speed (rpm) · P_e = Power consumption · I = Current draw · qv = Air flow · p_{fs} = Pressure increase



X-ON Electronics

Largest Supplier of Electrical and Electronic Components

Click to view similar products for [ebm papst](#) manufacturer:

Other Similar products are found below :

[3312M](#) [M4Q045-DA05-E4](#) [4114N](#) [8218J/2H3](#) [W1G200-EA95-68](#) [DV6248U](#) [6224NT](#) [M4Q045-CA03-75](#) [M4Q045-CF01-75](#) [D2E133-DM27-D8](#) [8314S](#) [8506A](#) [G2E140-AL30-48](#) [R1G225-AG15-11](#) [R2D270-AB12-09](#) [R2E190-RA50-21](#) [R2E225-BD40-21](#) [R3G310-AL09-30](#) [R4E400-AP15-10](#) [REF100-11/14](#) [RER160-28/56S](#) [9496-2-4039-1](#) [A2D240-AA02-10](#) [A2D250-AA06-52](#) [G2E120-FV56-16](#) [G2E160-AY47-57](#) [G2S085-AA19-15](#) [QR06A-2/106349](#) [R1G250-AQ21-52](#) [R2E180CH0312](#) [R2E225-BD92-36](#) [R3G175-AF25-02](#) [LZ27](#) [RG125-19/12N/2](#) [RH31M-6/104372](#) [RH56M-6/204689](#) [3800](#) [RLF100-11/18](#) [D1G133-DC17-52](#) [D2E097-BI56-48](#) [55416.30320](#) [3314U](#) [D4E180-BA04-18](#) [4112NHH](#) [412/2H-048](#) [412FH-132](#) [W2E300-CP02-37](#) [W2G110-AK43-83](#) [W4D350-CA06-14](#) [422JM](#)