



# DC centrifugal fans

Series RER 175 TDU Ø175 x 69 mm



**Highlights:**

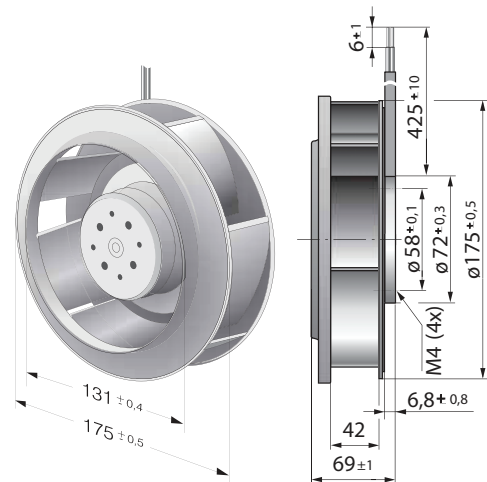
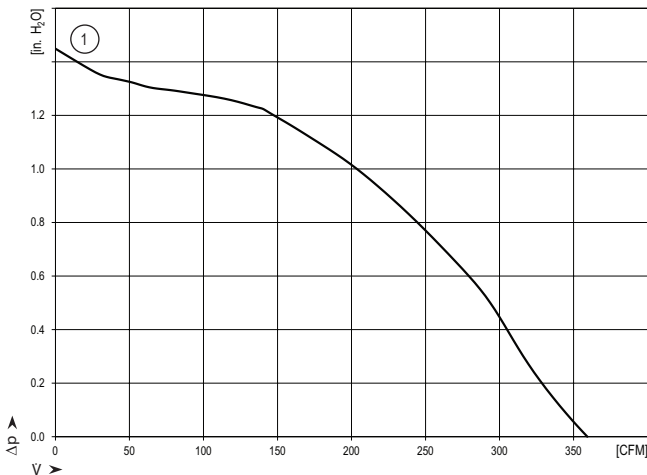
- Backward curved impeller with 3-phase motor
- Motor protection against reverse polarity and locking
- Direction of air flow: axial air intake, centrifugal air exhaust
- Connection via single strands AWG 22, TR 64, speed signal and control input AWG 22, bared and tin-plated
- Available as standard with PWM control input and speed signal
- Ingress protection rating of IP68

**Material:** Impeller: Fiberglass-reinforced composite

**Direction of rotation:** Clockwise, seen on rotor

Nominal Data		Air flow	Nominal voltage	Voltage range	Sound pressure level	Sound power level	Ball bearings	Power input	Speed	Temperature range	Mass	Ingress Protection Rating	UL Approval	Curves
Type		CFM	VDC	VDC	dB(A)	Bel(A)		Watts	RPM	°C	g			
RER 175-42/14/2TDMLPU		<b>353.0</b>	24	16...30	-	7.3	Yes	48	3400	-20...65	775	IP68	Yes	1

**Curves**



## X-ON Electronics

Largest Supplier of Electrical and Electronic Components

*Click to view similar products for [Blowers](#) category:*

*Click to view products by [ebm papst](#) manufacturer:*

Other Similar products are found below :

[G2E120-CR21-13](#) [R2D160-AC02-13](#) [R2D220-AA24-13](#) [RLF35-812N2P-103](#) [KFB1724VHT-AF00](#) [D4E133-AA01-51](#) [D4E133-DH61-D1](#)  
[D4E180-BA04-18](#) [G3G120-BB13-02](#) [1398425-1](#) [R4E355-AK05-06](#) [D4E225-BC01-02](#) [R2D225-AV02-14](#) [D2E146-HT67-63](#) [BFB0505HHA-](#)  
[CR00](#) [BFB0524HH-R00](#) [K1G220-AA67-02](#) [R3G133-AE17-02](#) [R3G190-AB23-02](#) [RER101-36/14N/2HHA-184](#) [G3G160-AC70-01](#) [R3G250-](#)  
[AM70-01](#) [R2E160-AY47-10](#) [R2E180-AS77-40](#) [R87B-PF01](#) [R87F-A3A83H](#) [R87F-A4A15MP](#) [R87F-A6A93HP](#) [R87T-A6A07H](#)  
[MF50151VX-B00U-A99](#) [BFB0512HH-T50F](#) [109BD12HA2](#) [109BD24HD2](#) [109BF12MA2](#) [109BF24HC2](#) [109BD12MC2](#) [109BF12HA2](#)  
[109BF12HC2](#) [109BF24HD2](#) [R3G280-AF45-81](#) [BFB0724H-T500](#) [R87F-A3A15HP](#) [R87F-A4A93HP](#) [R87F-A3A93HP](#) [R2E140-AS77-05](#)  
[R2E180-AS77-22](#) [R2E180-CB28-01](#) [14539GA-12N-AA-00](#) [R87F-A1A85HP](#) [R87F-A4A85HP](#)