

max. 1600 m<sup>3</sup>/h

## DC centrifugal fans

Series RER 225 TD 225 Ø x 99 mm



### Highlights:

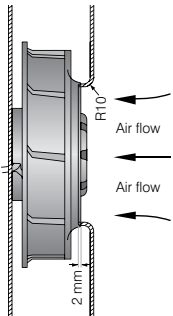
- 3-phase fan drive with high degree of running smoothness.
- Very high pressure build-up.
- TDM and TDML model with backward-curved RadiCal impeller with maximum efficiency.
- Standard models available with multifunctional control input for analogue, PWM and speed signal.

### General characteristics:

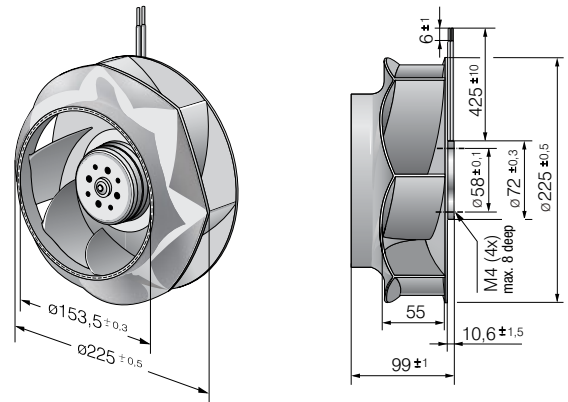
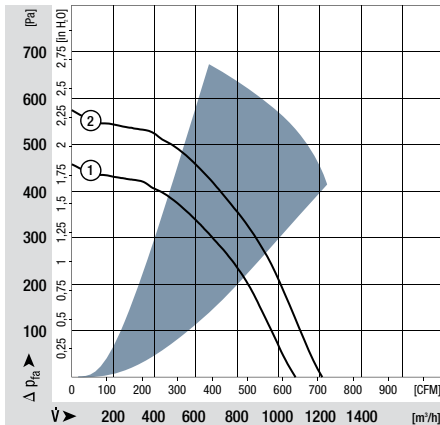
- Impeller of fiberglass-reinforced plastic.
- Fully integrated electronic commutation.
- Direction of rotation: CW seen on rotor.
- Direction of air flow: axial air intake, centrifugal air exhaust out of the outlet.
- Connection via single strands AWG 18, 20 or AWG 22, TR 64, speed signal and control input AWG 22, bared and tin-plated.
- Mass: 1030 g.

Nominal Data	Air flow	Nominal Voltage	Voltage range	Sound power level	Ball bearings	Power input	Speed (1)	Temperature range (1)	Service Life L <sub>10</sub> (40°C) ebm-papst standard	Service Life L <sub>10</sub> (Tmax) ebm-papst standard	Life expectancy L <sub>10</sub> Δ (40°C)	Curve
	CFM	VDC	VDC	Bel(A)		Watts	RPM	°C	Hours	Hours	Hours	
RER 225-55/18/2TDMLO	635.4	48	36...72	7.5	Yes	82	2,500	-20...55	70,000 / 50,000	140,000	1	
RER 225-55/18/2TDMO	11.9	48	36...72	7.9	Yes	120	2,800	-20...55	55,000 / 40,000	110,000	2	

(1) Nominal data at maximum load. Speed Control range from 800 rpm at 7% PWM up to nominal speed at > 90% PWM. Standstill at 0% PWM, Type O: standstill at sensor break. Type P: maximum speed at sensor break.



The air flow and noise level of fans without external housing depends on the installation conditions. The stated air flow and noise levels have been measured under the following conditions:  
Centrifugal fan mounted on a base plate 230 x 230 mm.  
Cover plate 230 x 230 mm with an air inlet of Ø 146 mm, concentric to the impeller.



## X-ON Electronics

Largest Supplier of Electrical and Electronic Components

*Click to view similar products for [AC Fans](#) category:*

*Click to view products by [ebm papst](#) manufacturer:*

Other Similar products are found below :

[M2E068-DF13-79](#) [F1238H24B-FHR](#) [8850A](#) [G9225S05B2-FSR](#) [A2D200-AA04-41](#) [A2E165-AA17-01](#) [R2D140-AB02-14](#) [R4D310-AS18-01](#)  
[R4D400-AD22-06](#) [R4E180-AS11-09](#) [AD0912HB-A7BGL](#) [1500-FAN-01](#) [25.001.1856.0](#) [25.320.1153.1](#) [25.320.1353.1](#) [25.320.4753.1](#)  
[25.320.5453.1](#) [25.330.1353.1](#) [25.330.4853.1](#) [25.330.5153.1](#) [25.330.5353.1](#) [25.340.1053.1](#) [25.350.5253.0](#) [25.600.4053.0](#) [272DL-2LP11-000](#)  
[S2E250-AL06-70](#) [A2D210-AB10-05](#) [A2D240-AA02-02](#) [A2D250-AE22-06](#) [A2E170-AF23-01](#) [F1238S24BT-FSR](#) [25.000.1856.0](#)  
[25.000.2056.0](#) [25.010.1856.0](#) [25.220.3953.1](#) [25.332.2453.1](#) [25.340.0453.1](#) [25.345.5353.0](#) [25.352.1853.0](#) [281DS-2LP11-000B](#) [281DY-](#)  
[1LP14-000B](#) [298DM-2LP11-000](#) [298DS-2LP11-000A](#) [R2S150-AD08-09](#) [344DY-1LP11-000](#) [39.703.0253.0](#) [USTF1203224VHW](#)  
[3G2C7MC224](#) [W2D200-HH04-07](#) [W2D300-CP02-48](#)