

Max. 209 m³/h

DC centrifugal fans

□ 220 x 56 mm



- **Material:** Scroll housing: GRP¹⁾
Impeller: GRP¹⁾
Base plate: Sheet steel
 - **Direction of air flow:** Axial: Intake,
Centrifugal: Exhaust
 - **Connection:** Via single wires AWG 22, TR 64
48 V model: Flat plug
6.3 x 0.8 mm for ground conductor
 - **Highlights:** Backward-curved impeller
 - **Weight:** 1.4 kg
- **Possible special versions:**
(See chapter DC fans - specials)
 - Speed signal
 - Go / NoGo alarm
 - Alarm with speed limit
 - External temperature sensor
 - Internal temperature sensor
 - PWM control input
 - Analog control input
 - Moisture protection
 - Salt spray protection
 - Degree of protection: IP 54

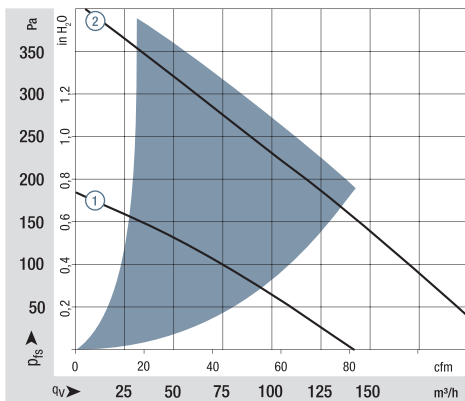
1) Fiberglass-reinforced plastic

Series RG 160 N

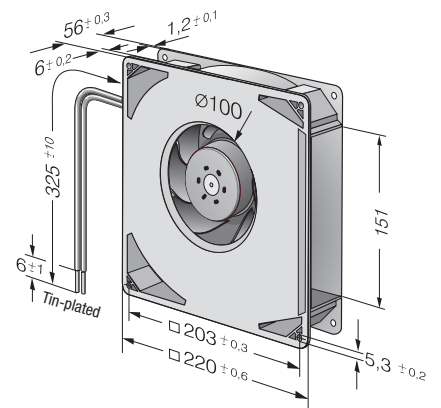
Nominal data

Type	Air flow		Nominal voltage	Voltage range		Sound power level	Sintec sleeve bearings Ball bearings	Power consumption	Nominal speed	Temperature range	Service life L ₁₀ (40 °C) ebm-papst standard	Service life L ₁₀ (T _{max}) ebm-papst standard	Life expectancy L ₁₀ IPC (40 °C) see page 17	Curve
	m ³ /h	cfm		VDC	VDC									
RG 160-28/12 NM	139	81	12	7...14	5.6	■	7.5	1 900	-20...+70	80 000 / 40 000	135 000	①		
RG 160-28/12 N	209	123	12	7.5...14	6.6	■	21.0	2 850	-20...+70	70 000 / 35 000	117 500	②		
RG 160-28/14 NM	139	81	24	12...28	5.6	■	7.0	1 900	-20...+70	80 000 / 40 000	135 000	①		
RG 160-28/14 N	209	123	24	12...28	6.6	■	20.0	2 850	-20...+70	70 000 / 35 000	117 500	②		
RG 160-28/18 N	209	123	48	28...60	6.6	■	20.0	2 850	-20...+70	70 000 / 35 000	117 500	②		

Subject to change



Air performance measured according to: ISO 5801.
Installation category A, without contact protection.
Noise: Total sound power level L_{WA} ISO 103002 measured on a hemisphere with a radius of 2 m.
Sound pressure level L_{pA} measured at 1 m distance from fan axis.
The values given are applicable only under the specified measuring conditions and may differ depending on the installation conditions.
In the event of deviation from the standard configuration, the parameters must be checked after installation!
For detailed information see <http://www.ebmpapst.com/general conditions>



X-ON Electronics

Largest Supplier of Electrical and Electronic Components

Click to view similar products for [Blowers & Centrifugal Fans](#) category:

Click to view products by [ebm papst](#) manufacturer:

Other Similar products are found below :

[MKEL-DRB](#) [R2D140-AB02-14](#) [R2D160-AC02-13](#) [R4D310-AS18-01](#) [R4D400-AD22-06](#) [R4E180-AS11-09](#) [R4S175-AA16-12](#) [AIF60112](#)
[AIF801724](#) [RLF35-812N2P-103](#) [DOP-EXI014RAE](#) [BR300W400](#) [KFB1724VHT-AF00](#) [KFC1048DS-S45D](#) [AIF641714](#) [CME-COP01](#)
[R1G220-AB07-09](#) [R2E180CH0312](#) [R2S150-AD08-09](#) [RD20S-4/210660](#) [RH56M-6/204689](#) [D2E146-CD51-09](#) [TP04G-AS2](#) [TP05G-BT2](#)
[TP-PCC](#) [BR200W250](#) [D4E133-AA01-51](#) [D4E133-DH61-D1](#) [DFD0612H/SPECTRA](#) [DOP-EXI028RAE](#) [55462.19890](#) [K1G200-AA73-02](#)
[G2D160-AF02-01](#) [G2E150-BA52-07](#) [G2S150-AB56-42](#) [D4E225-BC01-02](#) [R2D225-AV02-14](#) [D2E146-HT67-63](#) [K1G220-AA67-02](#)
[55462.19140](#) [G2E140-AG02-05](#) [R3G190-AB23-02](#) [55410.91750](#) [55462.19891](#) [G3G160-AC70-01](#) [R1G120-AD17-11](#) [R3G250-AM70-01](#)
[R2E225-RA02-47](#) [RER225-63/18/2TDMP](#) [R4E310-AO12-14](#)