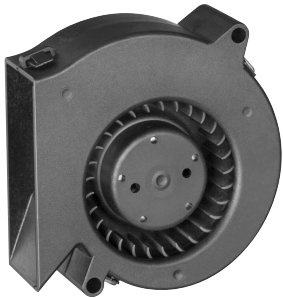


# DC centrifugal compact fan

single-intake



## ebm-papst St. Georgen GmbH & Co. KG

Hermann-Papst-Str. 1  
 D-78112 St. Georgen  
 Phone +49 (0) 7724 81-0  
 Fax +49 (0) 7724 81-1309  
 info2@de.ebmpapst.com  
 www.ebmpapst.com

### Nominal data

Type	RL 48-19/12	
Nominal voltage	VDC	12
Nominal voltage range	VDC	8 .. 13.5
Speed (rpm)	min <sup>-1</sup>	4400
Power consumption	W	4.6
Min. ambient temperature	°C	-20
Max. ambient temperature	°C	70
Air flow	m <sup>3</sup> /h	28
Sound power level	B	5.7

ml = Max. load · me = Max. efficiency · fa = Free air · cs = Customer specification · ce = Customer equipment  
 Subject to change



# DC centrifugal compact fan

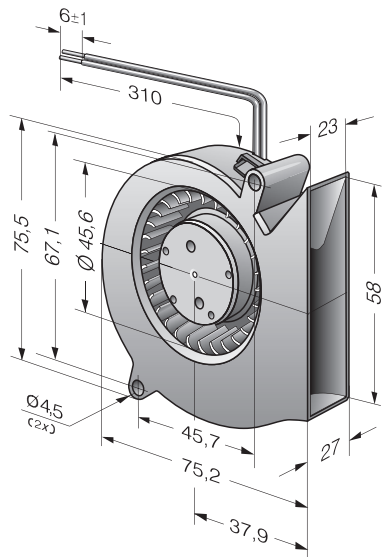
single-intake

## Technical description

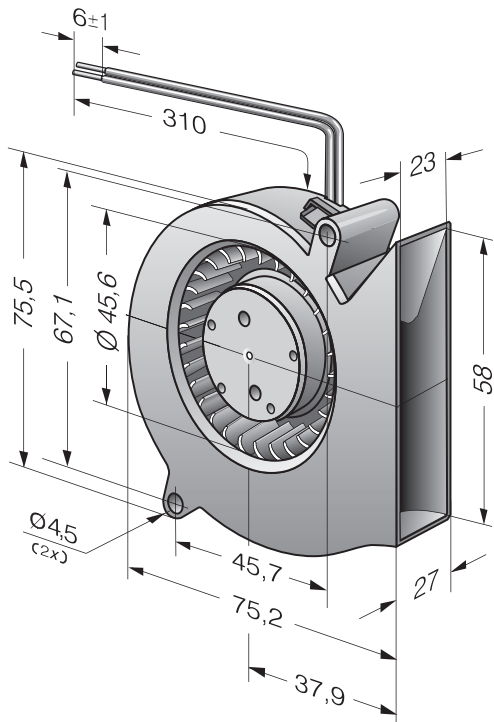
<b>General description</b>	Forward-curved impeller
<b>Weight</b>	0.075 kg
<b>Dimensions</b>	76 x 76 x 27 mm
<b>Impeller material</b>	Glass-fiber reinforced plastic
<b>Housing material</b>	Scroll housing made of glass-fiber reinforced plastic.
<b>Airflow direction</b>	Axial intake, radial discharge from outlet.
<b>Storage</b>	Ball bearing
<b>Service life L10 at 40 °C</b>	60000 h
<b>Service life L10 at maximum temperature</b>	30000 h
<b>Cable</b>	With leads AWG 26, TR 64
<b>Motor protection</b>	Protection against reverse polarity and blocked rotor.
<b>Locked-rotor protection</b>	Electronic locked-rotor protection
<b>Approval</b>	VDE, CSA, UL, CE
<b>Option</b>	Speed signal



## Product drawing



## Curves



## X-ON Electronics

Largest Supplier of Electrical and Electronic Components

*Click to view similar products for [AC Fans](#) category:*

*Click to view products by [EBM Papst](#) manufacturer:*

Other Similar products are found below :

[M2E068-DF13-79](#) [F1238H24B-FHR](#) [8850A](#) [G9225S05B2-FSR](#) [A2D200-AA04-41](#) [A2E165-AA17-01](#) [R2D140-AB02-14](#) [R4D310-AS18-01](#)  
[R4D400-AD22-06](#) [R4E180-AS11-09](#) [AD0912HB-A7BGL](#) [25.001.1856.0](#) [25.320.1153.1](#) [25.320.1353.1](#) [25.320.4753.1](#) [25.320.5453.1](#)  
[25.330.1353.1](#) [25.330.4853.1](#) [25.330.5153.1](#) [25.330.5353.1](#) [25.340.1053.1](#) [25.350.5253.0](#) [25.600.4053.0](#) [272DL-2LP11-000](#) [S2E250-AL06-](#)  
[70](#) [A2D210-AB10-05](#) [A2D240-AA02-02](#) [A2D250-AE22-06](#) [A2E170-AF23-01](#) [F1238S24BT-FSR](#) [25.000.1856.0](#) [25.000.2056.0](#)  
[25.010.1856.0](#) [25.220.3953.1](#) [25.332.2453.1](#) [25.340.0453.1](#) [25.345.5353.0](#) [25.352.1853.0](#) [281DS-2LP11-000B](#) [281DY-1LP14-000B](#) [298DM-](#)  
[2LP11-000](#) [298DS-2LP11-000A](#) [R2S150-AD08-09](#) [344DY-1LP11-000](#) [D2E146-CD51-09](#) [39.703.0253.0](#) [USTF1203224VHW](#)  
[3G2C7MC224](#) [W2D300-CP02-48](#) [W2E300-DA01-52](#)