

Max. 42 m<sup>3</sup>/h

# AC centrifugal fans

□ 121 x 37 mm



- **Material:** Scroll housing: GRP<sup>1)</sup> (PBT)  
Impeller: GRP<sup>1)</sup> (PA)  
Housing base: Sheet steel
  - **Direction of air flow:** Centrifugal: discharge through window in housing
  - **Direction of rotation:** Clockwise, looking towards rotor
  - **Connection:** Via 2 single wires; housing base with flat plugs 6.3 x 0.8 mm for ground conductor
  - **Highlights:** Forward-curved impeller
  - **Weight:** 680 g
- **Possible special versions:** (See page 12)
    - Moisture protection
    - Salt spray protection
    - Degree of protection: IP 54

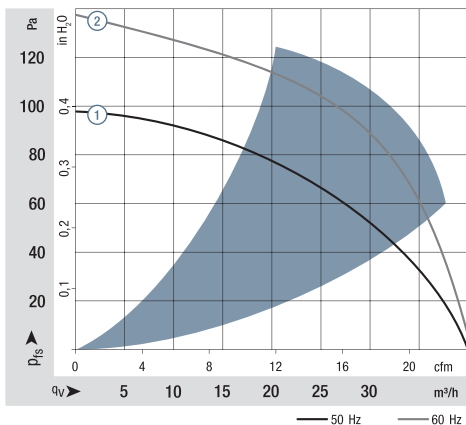
1) Fiberglass-reinforced plastic

## Series RL 90

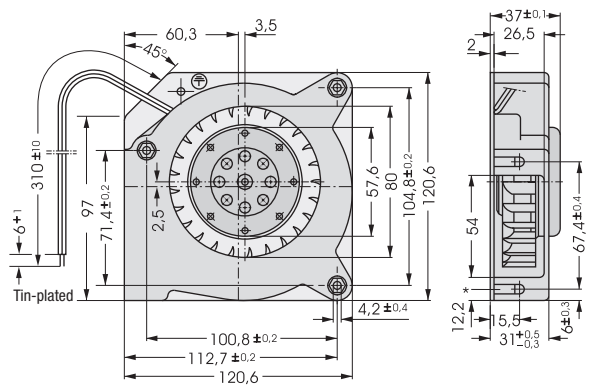
Nominal data	Air flow		Nominal voltage	Frequency	Sound power level	Sinter sleeve bearings		Power consumption	Nominal speed	Temperature range	Service life L <sub>10</sub>		Curve
	m <sup>3</sup> /h	cfm				VAC	Hz				Bel(A)	□ / ■	
RL 90-18/50	40	23.5	230	50	5.6	□	20.0	2 450	-10...+50	37 500 / 30 000		①	
RL 90-18/56	40	23.5	230	50	5.6	■	20.0	2 450	-30...+70	37 500 / 20 000		①	
RL 90-18/00	42	24.7	115	60	6.0	□	19.5	2 550	-10...+60	37 500 / 25 000		②	
RL 90-18/06	42	24.7	115	60	6.0	■	19.5	2 550	-30...+85	37 500 / 15 000		②	

Subject to change

Fan type		Connection wires
RL 90-18/50	RL 90-18/00	AWG 18, TR 32
RL 90-18/56	RL 90-18/06	AWG 22



Air performance measured according to: ISO 5801.  
Installation category A, without contact protection.  
Noise: Total sound power level L<sub>WA</sub> ISO 103002 measured on a hemisphere with a radius of 2 m;  
Sound pressure level L<sub>pA</sub> measured at 1 m distance from fan axis.  
The values given are applicable only under the specified measuring conditions and may differ depending on the installation conditions, described measurement set-up and may vary depending on the installation situation.  
For detailed information see <http://www.ebmpapst.com/general-conditions>



\*Speed nut M4 or 8-32UNC. Screw- in depth max.12.5 min 9.0

## X-ON Electronics

Largest Supplier of Electrical and Electronic Components

*Click to view similar products for [Blowers & Centrifugal Fans](#) category:*

*Click to view products by [ebm papst](#) manufacturer:*

Other Similar products are found below :

[MKEL-DRB](#) [R2D140-AB02-14](#) [R2D160-AC02-13](#) [R4D310-AS18-01](#) [R4D400-AD22-06](#) [R4E180-AS11-09](#) [R4S175-AA16-12](#) [AIF60112](#)  
[AIF801724](#) [RLF35-812N2P-103](#) [DOP-EXI014RAE](#) [BR300W400](#) [KFB1724VHT-AF00](#) [KFC1048DS-S45D](#) [AIF641714](#) [CME-COP01](#)  
[R1G220-AB07-09](#) [R2E180CH0312](#) [R2S150-AD08-09](#) [RD20S-4/210660](#) [RH56M-6/204689](#) [D2E146-CD51-09](#) [TP04G-AS2](#) [TP05G-BT2](#)  
[TP-PCC](#) [BR200W250](#) [D4E133-AA01-51](#) [D4E133-DH61-D1](#) [DFD0612H/SPECTRA](#) [DOP-EXI028RAE](#) [55462.19890](#) [K1G200-AA73-02](#)  
[G2D160-AF02-01](#) [G2E150-BA52-07](#) [G2S150-AB56-42](#) [D4E225-BC01-02](#) [R2D225-AV02-14](#) [D2E146-HT67-63](#) [K1G220-AA67-02](#)  
[55462.19140](#) [G2E140-AG02-05](#) [R3G190-AB23-02](#) [55410.91750](#) [55462.19891](#) [G3G160-AC70-01](#) [R1G120-AD17-11](#) [R3G250-AM70-01](#)  
[R2E225-RA02-47](#) [RER225-63/18/2TDMP](#) [R4E310-AO12-14](#)