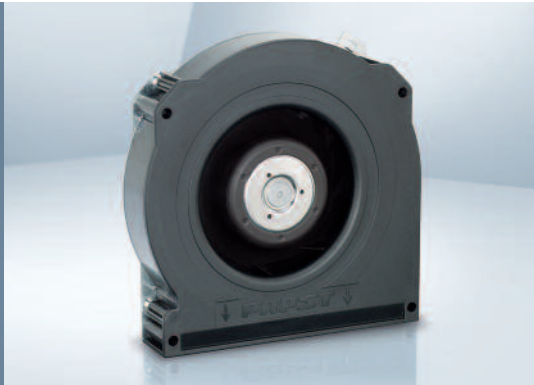


Max. 80 m<sup>3</sup>/h

# DC centrifugal fans

□ 127 x 25 mm

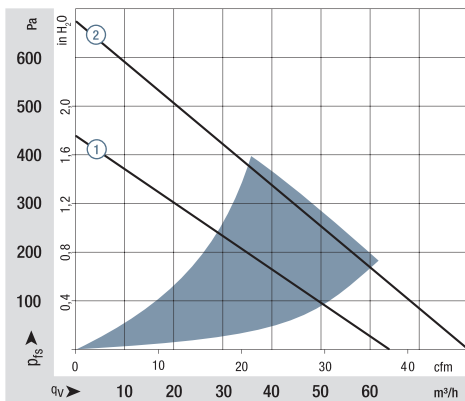


- **Material:** Scroll housing: GRP<sup>1)</sup>  
Impeller: GRP<sup>1)</sup>  
Base plate: Sheet steel
  - **Direction of air flow:** Axial: Intake,  
Centrifugal: Exhaust
  - **Connection:** via single wires AWG 22, TR 64
  - **Highlights:** Optional protective cap for outlet opening  
Backward-curved impeller
  - **Weight:** 320 g
- **Possible special versions:** (See chapter DC fans - specials)
    - Speed signal
    - Go / NoGo alarm
    - Alarm with speed limit
    - External temperature sensor
    - Internal temperature sensor
    - PWM control input
    - Analog control input
    - Moisture protection
    - Degree of protection: IP 54

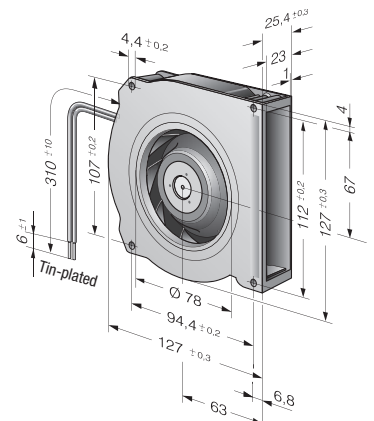
<sup>1)</sup> Fiberglass-reinforced plastic

Series RLF 100														
Nominal data	Air flow		Nominal voltage	Voltage range		Sound power level	Sinter sleeve bearings Ball bearings	Power consumption	Nominal speed	Temperature range	Service life L <sub>10</sub> (40 °C) ebm-papst standard	Service life L <sub>10</sub> (T <sub>max</sub> ) ebm-papst standard	Life expectancy L <sub>10</sub> (IPC (40 °C) see page 17	Curve
	Type	m <sup>3</sup> /h		cfm	VDC									
RLF 100-11/12	64	37.7	12	8...15	6.4	■	8.0	5 100	-20...+75	80 000 / 30 000	135 000	①		
RLF 100-11/14	64	37.7	24	16...30	6.4	■	8.0	5 100	-20...+75	80 000 / 30 000	135 000	①		
RLF 100-11/18	64	37.7	48	36...60	6.4	■	8.6	5 100	-20...+75	80 000 / 30 000	135 000	①		
High speed models with open-collector tachometer and PWM speed control.														
RLF 100-11/12/2 HP-200	80	47.1	12	10...13.2	7.5	■	18.6	6 400	-20...+60	72 500 / 45 000	122 500	②		
RLF 100-11/18/2 HP-182	80	47.1	48	43...53	7.5	■	17.0	6 400	-20...+70	72 500 / 35 000	122 500	②		

Subject to change



Air performance measured according to: ISO 5801.  
Installation category A, without contact protection.  
Noise: Total sound power level L<sub>WA</sub> ISO 103002 measured on a hemisphere with a radius of 2 m.  
Sound pressure level L<sub>pA</sub> measured at 1 m distance from fan axis.  
The values given are applicable only under the specified measuring conditions and may differ depending on the installation conditions.  
In the event of deviation from the standard configuration, the parameters must be checked after installation!  
For detailed information see <http://www.ebmpapst.com/general conditions>



## X-ON Electronics

Largest Supplier of Electrical and Electronic Components

*Click to view similar products for [AC Fans](#) category:*

*Click to view products by [ebm papst](#) manufacturer:*

Other Similar products are found below :

[M2E068-DF13-79](#) [F1238H24B-FHR](#) [8850A](#) [G9225S05B2-FSR](#) [A2D200-AA04-41](#) [A2E165-AA17-01](#) [R2D140-AB02-14](#) [R4D310-AS18-01](#)  
[R4D400-AD22-06](#) [R4E180-AS11-09](#) [AD0912HB-A7BGL](#) [1500-FAN-01](#) [25.001.1856.0](#) [25.320.1153.1](#) [25.320.1353.1](#) [25.320.4753.1](#)  
[25.320.5453.1](#) [25.330.1353.1](#) [25.330.4853.1](#) [25.330.5153.1](#) [25.330.5353.1](#) [25.340.1053.1](#) [25.350.5253.0](#) [25.600.4053.0](#) [272DL-2LP11-000](#)  
[S2E250-AL06-70](#) [A2D210-AB10-05](#) [A2D240-AA02-02](#) [A2D250-AE22-06](#) [A2E170-AF23-01](#) [F1238S24BT-FSR](#) [25.000.1856.0](#)  
[25.000.2056.0](#) [25.010.1856.0](#) [25.220.3953.1](#) [25.332.2453.1](#) [25.340.0453.1](#) [25.345.5353.0](#) [25.352.1853.0](#) [281DS-2LP11-000B](#) [281DY-](#)  
[1LP14-000B](#) [298DM-2LP11-000](#) [298DS-2LP11-000A](#) [R2S150-AD08-09](#) [344DY-1LP11-000](#) [D2E146-CD51-09](#) [39.703.0253.0](#)  
[USTF1203224VHW](#) [3915100996-SA3](#) [3G2C7MC224](#)