

max. 80 m<sup>3</sup>/h

# DC Radial Fans

Series RLF 100 127 x 127 x 25 mm



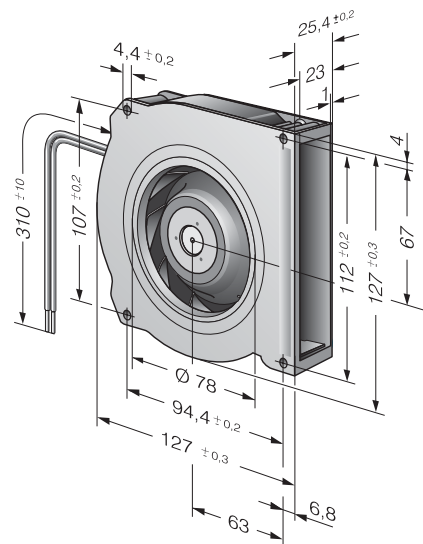
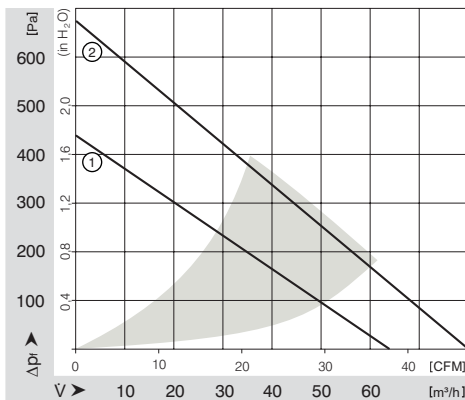
### Highlights:

- Very flat and powerful radial compact fans. Pressure-optimized blower.
- Optional Vario-Pro: Highly adaptable software configuration of the fan enables a tailor-made solution to the specific requirements of your applications.
- Some models available as standard with PWM control input and speed signal.
- Backward curved impeller.

### General characteristics:

- Fiberglass-reinforced plastic scroll housing and impeller. Housing base of galvanised steel plate.
- Fully integrated electronic commutation. Protected against reverse polarity and blocking.
- Direction of air flow: axial suction, radial air outlet.
- Electrical connection via single leads AWG 22, TR 64. Stripped and tinned ends.
- Mass: 320 g.

Nominal Data	Air Flow		Nominal Voltage	Voltage Range	Sound Power	Sinter-Sleeve Bearings Ball Bearings	Power Input	Nominal Speed	Temperature Range	Service Life L <sub>10</sub> (40 °C) ebm-papst Standard	Service Life L <sub>10</sub> (T <sub>max</sub> ) ebm-papst Standard	Life expectancy L <sub>10</sub> Δ (40 °C)	Curve	Specials
	m <sup>3</sup> /h	CFM												
RLF 100-11/12	64	37.7	12	8...15	6.4	■	8.0	5 100	-20...+75	80 000 / 30 000	150 000	1	/2	
RLF 100-11/14	64	37.7	24	16...30	6.4	■	8.0	5 100	-20...+75	80 000 / 30 000	150 000	1	/19	
RLF 100-11/18	64	37.7	48	36...60	6.4	■	8.6	5 100	-20...+75	80 000 / 30 000	150 000	1		
High Speed models with Open Collector Tacho and PWM speed control.														
NEW RLF 100-11/12/2HP-200	80	47.1	12	10...13.2	7.5	■	18.6	6 400	-20...+60	72 500 / 45 000	112 500	2	/2	
NEW RLF 100-11/18/2HP-182	80	47.1	48	43...53	7.5	■	17.0	6 400	-20...+70	72 500 / 35 000	112 500	2	/2	



## X-ON Electronics

Largest Supplier of Electrical and Electronic Components

*Click to view similar products for [AC Fans](#) category:*

*Click to view products by [ebm papst](#) manufacturer:*

Other Similar products are found below :

[M2E068-DF13-79](#) [F1238H24B-FHR](#) [8850A](#) [G9225S05B2-FSR](#) [A2D200-AA04-41](#) [A2E165-AA17-01](#) [R2D140-AB02-14](#) [R4D310-AS18-01](#)  
[R4D400-AD22-06](#) [R4E180-AS11-09](#) [AD0912HB-A7BGL](#) [25.001.1856.0](#) [25.320.1153.1](#) [25.320.1353.1](#) [25.320.4753.1](#) [25.320.5453.1](#)  
[25.330.1353.1](#) [25.330.4853.1](#) [25.330.5153.1](#) [25.330.5353.1](#) [25.340.1053.1](#) [25.350.5253.0](#) [25.600.4053.0](#) [272DL-2LP11-000](#) [S2E250-AL06-](#)  
[70](#) [A2D210-AB10-05](#) [A2D240-AA02-02](#) [A2D250-AE22-06](#) [A2E170-AF23-01](#) [F1238S24BT-FSR](#) [25.000.1856.0](#) [25.000.2056.0](#)  
[25.010.1856.0](#) [25.220.3953.1](#) [25.332.2453.1](#) [25.340.0453.1](#) [25.345.5353.0](#) [25.352.1853.0](#) [281DS-2LP11-000B](#) [281DY-1LP14-000B](#) [298DM-](#)  
[2LP11-000](#) [298DS-2LP11-000A](#) [R2S150-AD08-09](#) [344DY-1LP11-000](#) [D2E146-CD51-09](#) [39.703.0253.0](#) [USTF1203224VHW](#)  
[3G2C7MC224](#) [W2D300-CP02-48](#) [W2E300-DA01-52](#)