

S1G200-CA91-02

EC axial fan - ESM

sickle-shaped blades (S series)

ESM guard grille



ebm-papst Mulfingen GmbH & Co. KG

Bachmühle 2 · D-74673 Mulfingen

Phone +49 7938 81-0

Fax +49 7938 81-110

info1@de.ebmpapst.com

www.ebmpapst.com

Limited partnership · Headquarters Mulfingen

Amtsgericht (court of registration) Stuttgart · HRA 590344

General partner Elektrobau Mulfingen GmbH · Headquarters Mulfingen

Amtsgericht (court of registration) Stuttgart · HRB 590142

Nominal data

| | | | |
|--------------------------|-------------------|-------|-------|
| Type | S1G200-CA91-02 | | |
| Motor | M1G055-BD | | |
| Phase | | 1~ | 1~ |
| Nominal voltage | VAC | 230 | 230 |
| Frequency | Hz | 50/60 | 50/60 |
| Method of obtaining data | | ml | |
| Speed (rpm) | min ⁻¹ | 2000 | 1500 |
| Power consumption | W | 34 | |
| Current draw | A | 0.26 | |
| Max. back pressure | Pa | 45 | |
| Max. back pressure | in. wg | 0.18 | |
| Min. ambient temperature | °C | -30 | -30 |
| Max. ambient temperature | °C | 50 | 50 |

ml = Max. load · me = Max. efficiency · fa = Free air · cs = Customer specification · ce = Customer equipment
Subject to change



Technical description

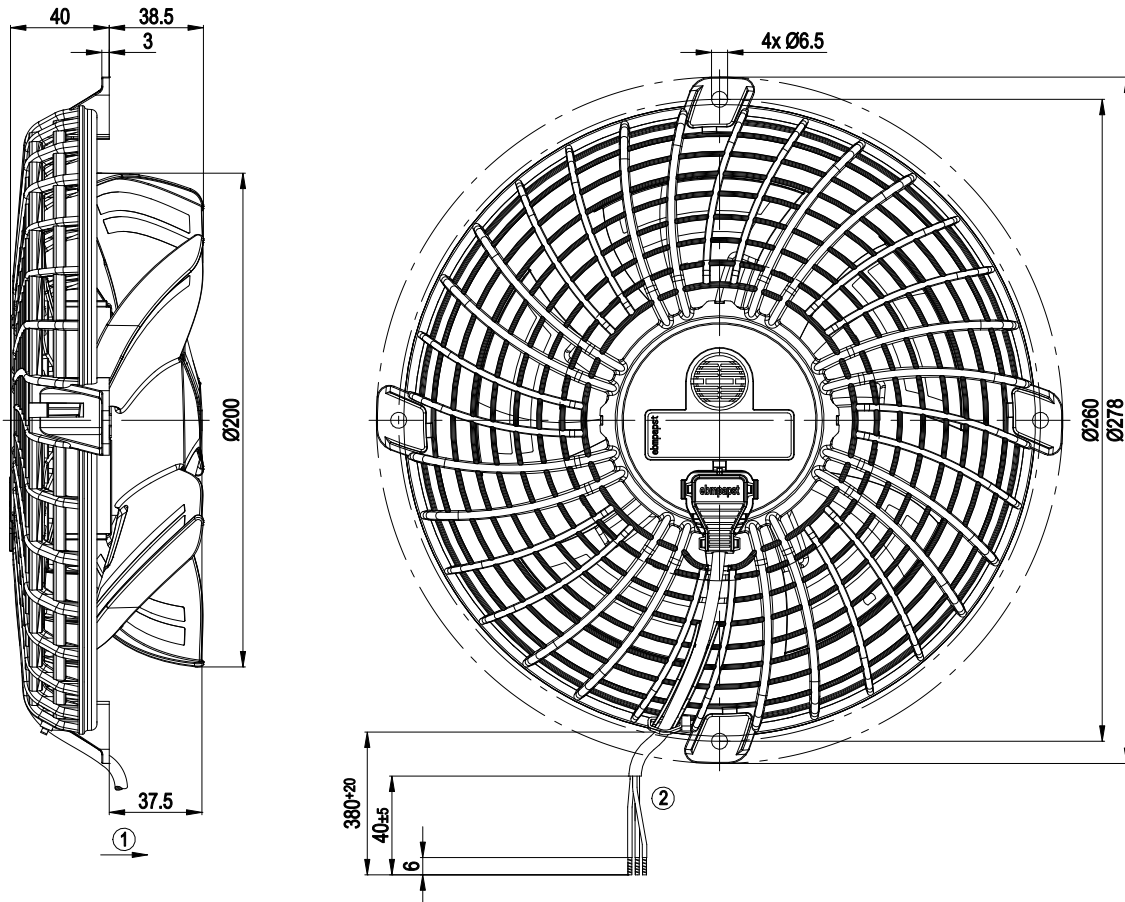
| | |
|---|--|
| Weight | 1 kg |
| Fan size | 200 mm |
| Blade material | PA plastic |
| Guard grille material | Epylen GT50 plastic |
| Number of blades | 5 |
| Airflow direction | "A" |
| Direction of rotation | Counterclockwise, viewed toward rotor |
| Degree of protection | IP55 |
| Insulation class | "B" |
| Moisture (F) / Environmental (H) protection class | H1 |
| Max. permitted ambient temp. for motor (transport/storage) | +80 °C |
| Min. permitted ambient temp. for motor (transport/storage) | -40 °C |
| Installation position | Any |
| Condensation drainage holes | None |
| Mode | S1 |
| Motor bearing | Ball bearing |
| Technical features | <ul style="list-style-type: none"> - Thermal overload protection for motor - Soft start - Speed selection max./min. |
| Speed levels | 2 |
| EMC immunity to interference | According to EN 61000-6-2 (industrial environment) |
| EMC circuit feedback | According to EN 61000-3-2/3 |
| EMC interference emission | According to EN 61000-6-3 (household environment) |
| Motor protection | Thermal overload protector (TOP) internally connected |
| With cable | Lateral |
| Protection class | II |
| Conformity with standards | EN 60335-1; EN 60335-2-24; EN 60335-2-80; EN 60335-2-89; CE |
| Approval | CSA C22.2 No. 77; CCC; UL 1004-3; VDE; EAC |

EC axial fan - ESM

sickle-shaped blades (S series)

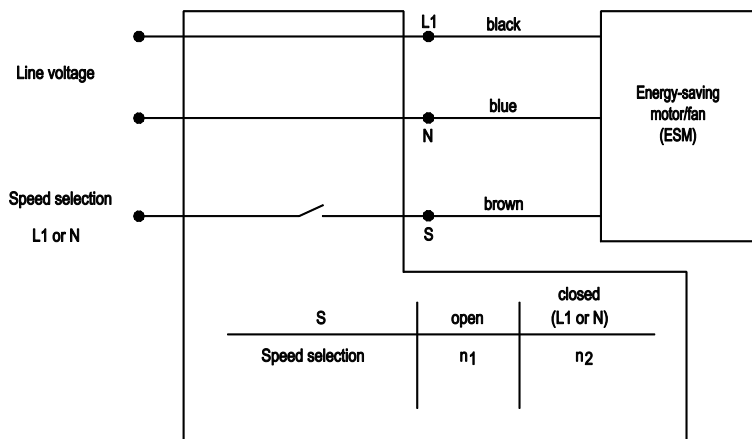
ESM guard grille

Product drawing

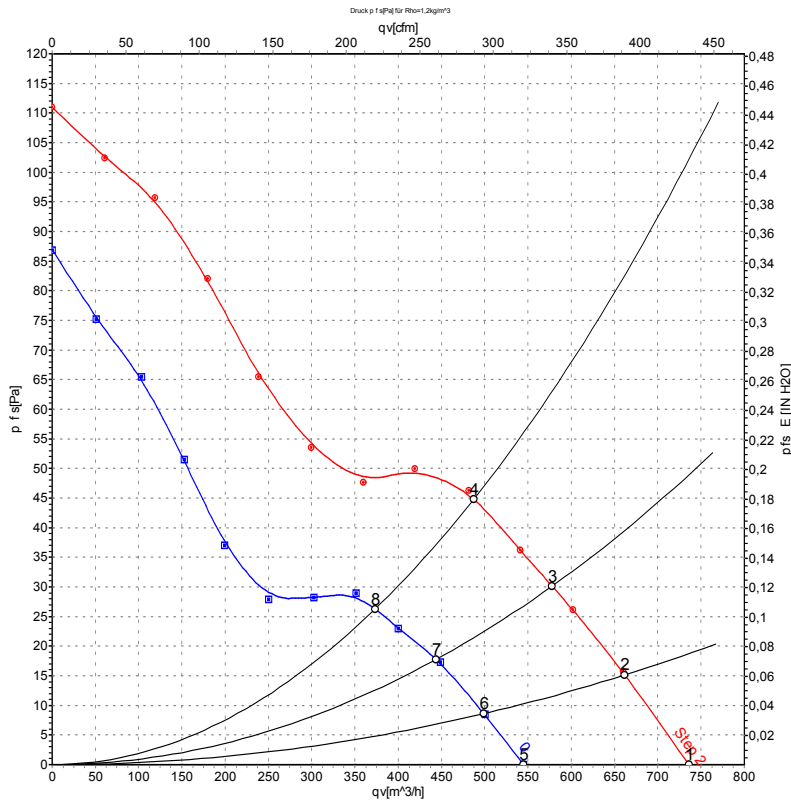


- 1 Direction of air flow "A"
- 2 Cable AWG20; 3x crimped splices

Connection diagram



Curves: Air performance 50 Hz



Measurement: LU-113009-1
Measurement: LU-113010-1

Air performance measured according to ISO 5801 installation category A. For detailed information on the measurement setup, contact ebm-papst. Intake sound level: Sound power level according to ISO 13347 / sound pressure level measured at 1 m distance from fan axis. The values given are valid under the specified measuring conditions and may vary due to conditions of installation. For deviations from the standard configuration, the parameters have to be checked on the installed unit.

Measured values

| | Stage | U | f | n | P _{ed} | I | LpA _{in} | LwA _{in} | q _v | P _{fs} | q _v | P _{fs} |
|---|-------|-----|----|-------------------|-----------------|------|-------------------|-------------------|-------------------|-----------------|----------------|-----------------|
| | | V | Hz | min ⁻¹ | W | A | dB(A) | dB(A) | m ³ /h | Pa | cfm | in. wg |
| 1 | 2 | 230 | 50 | 2000 | 32 | 0.24 | 54 | 64 | 735 | 0 | 435 | 0.00 |
| 2 | 2 | 230 | 50 | 2000 | 33 | 0.25 | 54 | 64 | 660 | 15 | 390 | 0.06 |
| 3 | 2 | 230 | 50 | 2000 | 33 | 0.26 | 53 | 63 | 580 | 30 | 340 | 0.12 |
| 4 | 2 | 230 | 50 | 2000 | 34 | 0.26 | 54 | 64 | 485 | 45 | 285 | 0.18 |
| 5 | 2 | 230 | 50 | 1500 | 18 | 0.16 | 50 | 59 | 545 | 0 | 320 | 0.00 |
| 6 | 2 | 230 | 50 | 1500 | 19 | 0.16 | 50 | 58 | 500 | 9 | 295 | 0.04 |
| 7 | 2 | 230 | 50 | 1500 | 19 | 0.16 | 49 | 58 | 445 | 18 | 260 | 0.07 |
| 8 | 2 | 230 | 50 | 1500 | 20 | 0.16 | 50 | 59 | 375 | 26 | 220 | 0.10 |

U = Power supply · f = Frequency · n = Speed (rpm) · P_{ed} = Power consumption · I = Current draw · LpA_{in} = Sound pressure level intake side · LwA_{in} = Sound power level intake side
q_v = Air flow · P_{fs} = Pressure increase



X-ON Electronics

Largest Supplier of Electrical and Electronic Components

Click to view similar products for [EC Fans](#) category:

Click to view products by [ebm papst](#) manufacturer:

Other Similar products are found below :

[N43-45001](#) [CF4113HBL-000U-ABD](#) [ACi4400H](#) [ACi4400L](#) [3238.500](#) [3241.500](#) [CF4113MBL-000U-AE9](#) [ACi4400HH](#) [ACI4400MLR](#)
[8218J/2H3](#) [CF4113HBT-000U-ABD](#) [AC4300H](#) [ACi4410HH](#) [ACi4420H](#) [ACi4420HH](#) [ACI4420ML](#) [W1G200-EF01-01](#) [W1G230-EB97-01](#)
[W1G250-BB17-01](#) [W3G250-CD54-01](#) [W3G280-EQ08-44](#) [W3G280-EQ20-43](#) [FMA1-06025WBHW12](#) [FMA1-08025WBHT12](#) [FMA1-](#)
[08025WBHW12](#) [FMA1-08038WBHT12](#) [FMA1-09225WBHT12](#) [FMA1-09225WBHW12](#) [FMA1-09238WBHT12](#) [FMA1-09238WBHW12](#)
[FMA1-12025WBHT12](#) [FMA1-12025WBHW12](#) [FMA1-12038WBHT12](#) [FMA1-12038WBHW12](#) [FMA1-12038WBJW12-A](#) [FMA1-](#)
[17251WBHW32](#) [CF4113HBL-000U-AB9](#) [CF4113LBL-000U-AB9](#) [CF4113LBL-000U-ABD](#) [CF4113MBL-000U-AB9](#) [CF4113MBL-000U-](#)
[ABD](#) [W1G250-BB21-01](#) [W2G107-AD01-13](#) [W2G107-AD03-13](#) [W1G200-EA95-68](#) [CF4113LBT-000U-A99](#) [CF4113MBL-000U-AA9](#)
[CF4113MBT-000U-A99](#) [CF4113LBL-000U-AA9](#) [CF4113MBT-000U-AA9](#)