

W1G180 Series

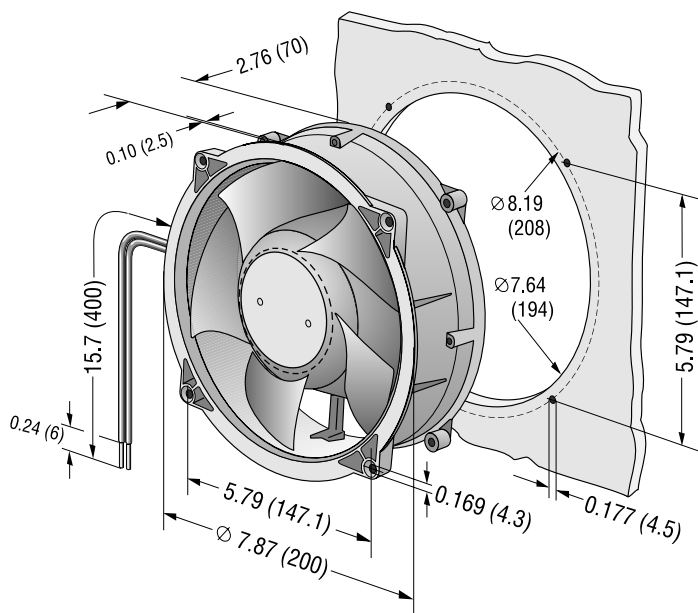
Tubeaxial

Ø 200x70mm



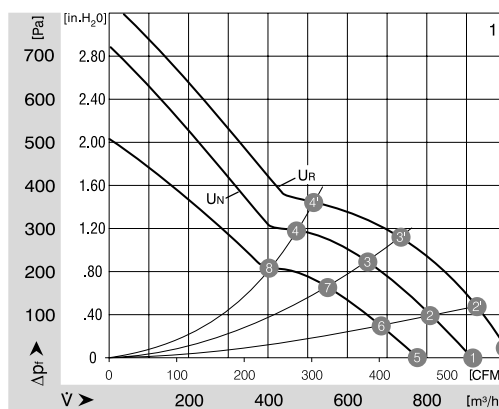
- DC fans with electronically commutated external rotor motor. Fully integrated commutation electronics.
- With electronic protection against reverse polarity and locked-rotor.
- Mounting from either face using four 4.3 mm holes.
- Die-cast aluminum housing. Impeller of plastic PA6.6, black.
- Air exhaust over struts. Rotational direction CCW looking at rotor.
- Connection leads: red = +; blue = -
- UL, CSA, VDE approvals on most models, please contact application engineering.

Part Number	Curve	CFM @ 0	VDC	Volt. Range	Power (W)	dBA	Max. Amb. Temp. C	Bearing Type	Features	Wgt. (lbs)
W1G180-AB31-01	1	529.7	24	16 to 28	93	68	60	Ball	Leads	3.97
W1G180-AB47-01	1	544.4	48	36 to 57	100	69	60	Ball	Leads	3.97



	N [RPM]	P _i [W]	η _i [%]	LD _A [dBA]
1 ①	5180	133	-	71
1 ②	4970	141	70	70
1 ③	4760	146	67	68
1 ④	5010	140	55	69
1 ①	4600	100	-	69
1 ②	4500	106	70	68
1 ③	4340	112	67	66
1 ④	4550	105	55	67
1 ⑤	3920	60	-	66
1 ⑥	3790	64	70	65
1 ⑦	3660	68	67	63
1 ⑧	3790	63	55	63

Curve



X-ON Electronics

Largest Supplier of Electrical and Electronic Components

Click to view similar products for [DC Fans](#) category:

Click to view products by [ebm papst](#) manufacturer:

Other Similar products are found below :

[614R](#) [AUB0612L](#) [AFB0948HH-S687](#) [G2E085-AA05-10](#) [4318/12T](#) [AUB0912H-F00](#) [3412N/2ME](#) [W2G110-AM39-01](#) [8412GLV](#) [8412NGL-12](#) [6448-384](#) [4114N/17-251](#) [622/2N](#) [4318/2R](#) [4412F/2D](#) [424JMU](#) [4414/2HH](#) [4112 N/12GL-175](#) [9GA0912F402](#) [9GA0812B20011](#) [AFB0824SHBAV1](#) [DV5214/2NP-230](#) [9GA0912H4021](#) [THC1548MGDJJ](#) [GFB1224SHG](#) [8500NU](#) [DC0401012V2B-3T0](#) [3254J/2HPU](#) [9A0612G402](#) [AD5012HB-C71](#) [AD5012MB-C71](#) [EF92251S3-1000U-A99](#) [PF80251B3-000U-Q99](#) [026758A](#) [3258J/2H3PU????](#) [412/2H](#) [4292](#) [MF60152V1-1000U-G99](#) [3610KL-04W-B50-D00](#) [EE92251B1-000U-G99](#) [8218J/2H4P](#) [4318NN](#) [4318NH3](#) [4314NL](#) [4312NM](#) [MITX-CORE-HTSNK](#) [ME45101V1-000U-A99](#) [OD1238-24HBIP55](#) [4312NHH](#) [612N/2GH](#)