

W2E200A Series

Axial

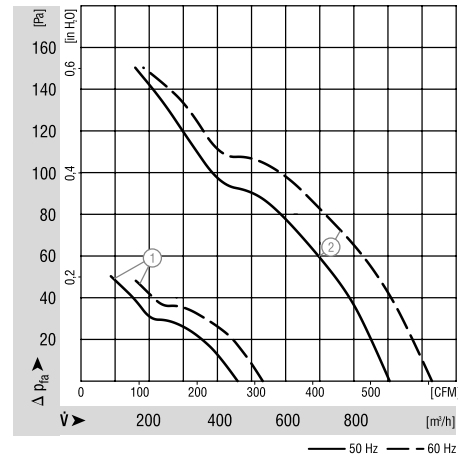
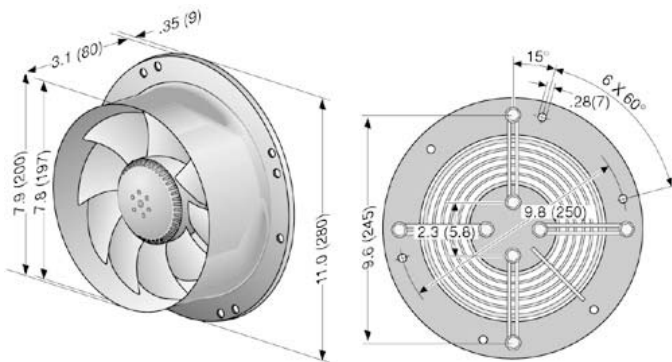
Ø 200mm S-Range



- AC Axial fan with round venturi housing. Shallow depth with external rotor motor for exceptional performance and long life.
- Individual sickle blades made of sheet steel are welded onto the external-rotor motor and dynamically balanced.

- Direction of rotation is CCW looking at rotor.
- Maintenance-free ball bearings.
- Mounting plate with 7 mm holes. Ready to install.
- UL, CSA, VDE approvals on most models, please contact application engineering.

Part Number	Curve	CFM @ 0	VAC	Hertz	Power (W)	dBA	Max. Amb. Temp C	Bearing Type	Features	Capacitor (µF)	Grill Position	Wgt. (lbs)
W4S200-CH16-70	1	315	115	50/60	27	46	80	Ball	Leads	-	Dischg	2.69
W4S200-CI16-70	1	315	115	50/60	27	46	80	Ball	Leads	-	Inlet	2.69
W2E200-CH86-70	2	600	115	50/60	77	62	70	Ball	Leads	5	Dischg	3.13
W2E200-CI86-70	2	600	115	50/60	77	62	70	Ball	Leads	5	Inlet	3.13
W4S200-CH04-70	1	315	230	50/60	27	46	80	Ball	Leads	-	Dischg	2.69
W4S200-CI04-70	1	315	230	50/60	27	46	80	Ball	Leads	-	Inlet	2.69
W2E200-CH38-70	2	600	230	50/60	77	62	70	Ball	Leads	1.5	Dischg	3.13
W2E200-CI38-70	2	600	230	50/60	77	62	70	Ball	Leads	1.5	Inlet	3.13



ebmpapst

e-mail: sales@us.ebmpapst.com · TEL: 860-674-1515 · FAX: 860-674-8536

ebm-papst Inc., 100 Hyde Road, Farmington, CT 06034 USA

ebm-papst Inc., 2005 © ebm-papst Inc. reserves the right to change any specifications or data without notice

X-ON Electronics

Largest Supplier of Electrical and Electronic Components

Click to view similar products for [AC Fans](#) category:

Click to view products by [ebm papst](#) manufacturer:

Other Similar products are found below :

[G9225S05B2-FSR](#) [A2D200-AA04-41](#) [A2E165-AA17-01](#) [AD0912HB-A7BGL](#) [1500-FAN-01](#) [25.001.1856.0](#) [25.320.1353.1](#) [25.320.4753.1](#)
[25.320.5453.1](#) [25.330.1353.1](#) [25.330.4853.1](#) [25.330.5153.1](#) [25.330.5353.1](#) [25.340.1053.1](#) [25.350.5253.0](#) [25.600.4053.0](#) [272DL-2LP11-000](#)
[A2D210-AB10-05](#) [A2D240-AA02-02](#) [A2D250-AE22-06](#) [A2E170-AF23-01](#) [F1238S24BT-FSR](#) [23241-3](#) [25.000.1856.0](#) [25.000.2056.0](#)
[25.010.1856.0](#) [25.332.2453.1](#) [25.340.0453.1](#) [25.345.5353.0](#) [281DS-2LP11-000B](#) [281DY-1LP14-000B](#) [298DM-2LP11-000](#) [298DS-2LP11-](#)
[000A](#) [344DY-1LP11-000](#) [39.703.0253.0](#) [USTF1203224VHW](#) [3G2C7MC224](#) [W2S130-AA03-43](#) [W2S130-AA25-97](#) [8856N](#) [A4D315-AC20-](#)
[02](#) [A2E170-AF23-11](#) [W2S130-AB03-09](#) [8550A](#) [8560N](#) [8880A](#) [S4D300-AR34-17](#) [S2E250-AE31-08](#) [AD0405HB-G73\(9T\)](#) [CENT-2000-](#)
[FFTM](#)