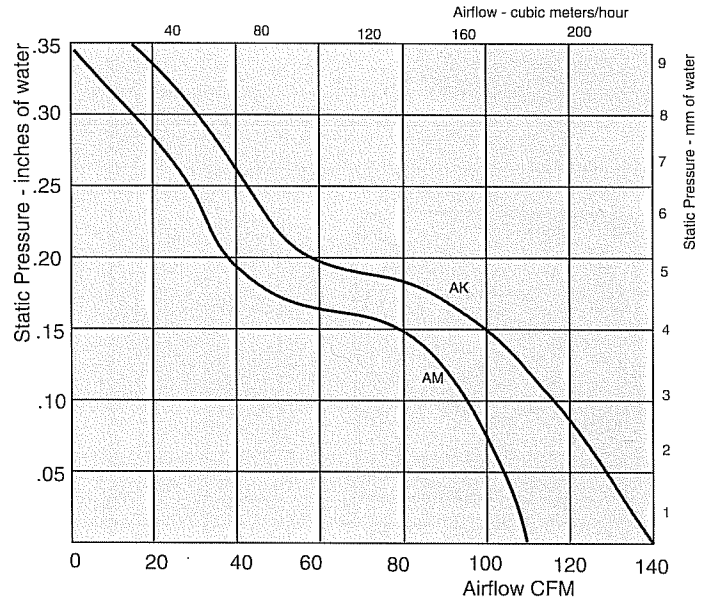


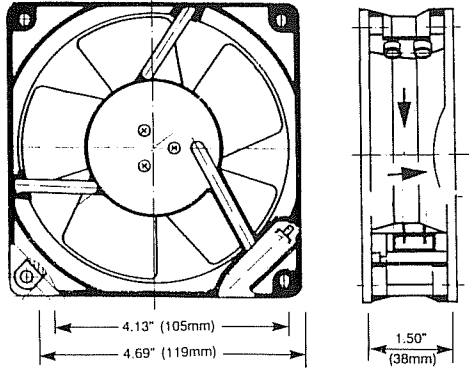
W2G 110
Brushless DC
 4-¹¹/₁₆" x 1-¹/₂"
 (119mm x 38mm)



Air Performance



Dimensions



Ball Bearing Max. Temp. 72°C	DC Volts	Watts	CFM	dBA	PSIL dB	Features	Approvals		
							UL	CSA	VDE
W2G110-AK67-31	12	15	140	61	56	Terminals			
W2G110-AK43-31	24	15	140	61	56	Terminals			
W2G110-AM39-31	12	5.3	110	54	49	Terminals	√	√	√
W2G110-AM39-01	12	5.3	110	54	49	10.5" AWG 22 Leads	√	√	√
W2G110-AM39-92	12	5.3	110	54	49	Hall Effect, Leads	√	√	√
W2G110-AM47-31	24	5.6	110	54	49	Terminals	√	√	√
W2G110-AM47-01	24	5.6	110	54	49	10.5" AWG 22 Leads	√	√	√
W2G110-AM47-92	24	5.6	110	54	49	Hall Effect, Leads	√	√	√
W2G110-AM41-31	48	5.9	110	54	49	Terminals	√	√	√
W2G110-AM41-01	48	5.9	110	54	49	10.5" AWG 22 Leads	√	√	√
W2G110-AM41-92	48	5.9	110	54	49	Hall Effect, Leads	√	√	√

UL yellow card E54522, CSA file LR43145, VDE file 1375

Construction, Mounting & Connection

Mounting: From either face using four .150" (3.8mm) holes.
Weight: 1.15 lbs. (.52kg)
Air Flow: Struts on inlet.
Housing: Aluminum.

Connection: Two polarized spade terminals .110" (2.8mm) wide, .020" (.51mm) thick and .33" (8.5mm) long on .295" (7.5mm) centers.
 Lead wires color coded: Red (+), blue (-).
Option: Opposite air flow direction.

X-ON Electronics

Largest Supplier of Electrical and Electronic Components

Click to view similar products for [DC Fans](#) category:

Click to view products by [ebm papst](#) manufacturer:

Other Similar products are found below :

[614R](#) [AUB0612L](#) [AFB0948HH-S687](#) [G2E085-AA05-10](#) [4318/12T](#) [AUB0912H-F00](#) [3412N/2ME](#) [W2G110-AM39-01](#) [8412GLV](#) [8412NGL-12](#) [6448-384](#) [4114N/17-251](#) [622/2N](#) [4318/2R](#) [4412F/2D](#) [424JMU](#) [4414/2HH](#) [4112 N/12GL-175](#) [9GA0912F402](#) [9GA0812B20011](#)
[AFB0824SHBAV1](#) [DV5214/2NP-230](#) [9GA0912H4021](#) [THC1548MGDJJ](#) [GFB1224SHG](#) [8500NU](#) [DC0401012V2B-3T0](#) [7F.20.9.024.3100](#)
[ASFP12391](#) [ASFP12392](#) [ASFP80372](#) [ASFP92391](#) [MF92251V3-1000U-G99](#) [3254J/2HPU](#) [9A0612G402](#) [AD5012HB-C71](#) [AD5012MB-C71](#)
[ASFP84372](#) [ASFP64372](#) [026758A](#) [3258J/2H3PU????](#) [412/2H](#) [4292](#) [MF60152V1-1000U-G99](#) [3610KL-04W-B50-D00](#) [109P0412K3023](#)
[EE92251B1-000U-F99](#) [8218J/2H4P](#) [PE60251B1-000U-G99](#) [PF60381B1-000U-S99](#)