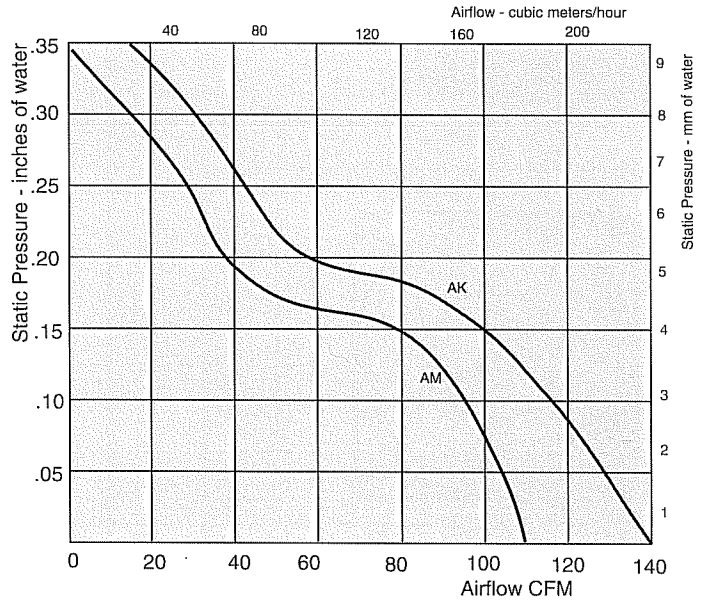


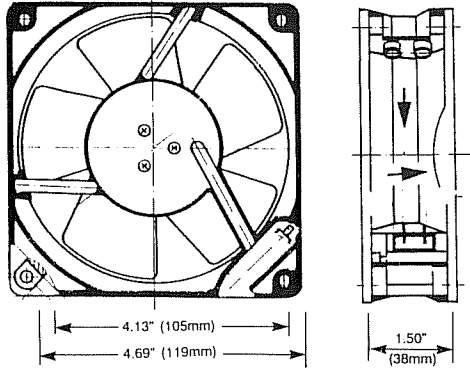
**W2G 110**  
**Brushless DC**  
 4-<sup>11</sup>/<sub>16</sub>" x 1-<sup>1</sup>/<sub>2</sub>"  
 (119mm x 38mm)



**Air Performance**



**Dimensions**



Ball Bearing Max. Temp. 72°C	DC Volts	Watts	CFM	dBA	PSIL dB	Features	Approvals		
							UL	CSA	VDE
W2G110-AK67-31	12	15	140	61	56	Terminals			
W2G110-AK43-31	24	15	140	61	56	Terminals			
W2G110-AM39-31	12	5.3	110	54	49	Terminals	√	√	√
W2G110-AM39-01	12	5.3	110	54	49	10.5" AWG 22 Leads	√	√	√
W2G110-AM39-92	12	5.3	110	54	49	Hall Effect, Leads	√	√	√
W2G110-AM47-31	24	5.6	110	54	49	Terminals	√	√	√
W2G110-AM47-01	24	5.6	110	54	49	10.5" AWG 22 Leads	√	√	√
W2G110-AM47-92	24	5.6	110	54	49	Hall Effect, Leads	√	√	√
W2G110-AM41-31	48	5.9	110	54	49	Terminals	√	√	√
W2G110-AM41-01	48	5.9	110	54	49	10.5" AWG 22 Leads	√	√	√
W2G110-AM41-92	48	5.9	110	54	49	Hall Effect, Leads	√	√	√

UL yellow card E54522, CSA file LR43145, VDE file 1375

**Construction, Mounting & Connection**

**Mounting:** From either face using four .150" (3.8mm) holes.  
**Weight:** 1.15 lbs. (.52kg)  
**Air Flow:** Struts on inlet.  
**Housing:** Aluminum.

**Connection:** Two polarized spade terminals .110" (2.8mm) wide, .020" (.51mm) thick and .33" (8.5mm) long on .295" (7.5mm) centers.  
 Lead wires color coded: Red (+), blue (-).  
**Option:** Opposite air flow direction.

## X-ON Electronics

Largest Supplier of Electrical and Electronic Components

*Click to view similar products for [AC Fans](#) category:*

*Click to view products by [ebm papst](#) manufacturer:*

Other Similar products are found below :

[M2E068-DF13-79](#) [F1238H24B-FHR](#) [8850A](#) [G9225S05B2-FSR](#) [A2D200-AA04-41](#) [A2E165-AA17-01](#) [R2D140-AB02-14](#) [R4D310-AS18-01](#)  
[R4D400-AD22-06](#) [R4E180-AS11-09](#) [AD0912HB-A7BGL](#) [1500-FAN-01](#) [25.001.1856.0](#) [25.320.1153.1](#) [25.320.1353.1](#) [25.320.4753.1](#)  
[25.320.5453.1](#) [25.330.1353.1](#) [25.330.4853.1](#) [25.330.5153.1](#) [25.330.5353.1](#) [25.340.1053.1](#) [25.350.5253.0](#) [25.600.4053.0](#) [272DL-2LP11-000](#)  
[S2E250-AL06-70](#) [A2D210-AB10-05](#) [A2D240-AA02-02](#) [A2D250-AE22-06](#) [A2E170-AF23-01](#) [F1238S24BT-FSR](#) [25.000.1856.0](#)  
[25.000.2056.0](#) [25.010.1856.0](#) [25.220.3953.1](#) [25.332.2453.1](#) [25.340.0453.1](#) [25.345.5353.0](#) [25.352.1853.0](#) [281DS-2LP11-000B](#) [281DY-](#)  
[1LP14-000B](#) [298DM-2LP11-000](#) [298DS-2LP11-000A](#) [R2S150-AD08-09](#) [344DY-1LP11-000](#) [D2E146-CD51-09](#) [39.703.0253.0](#)  
[USTF1203224VHW](#) [3915100996-SA3](#) [3G2C7MC224](#)