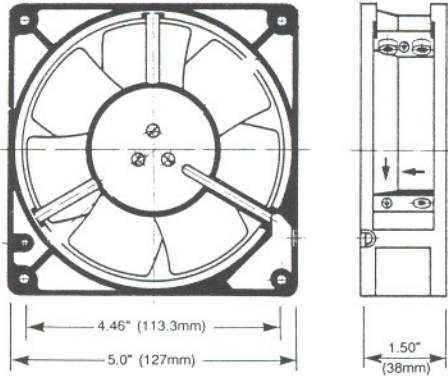




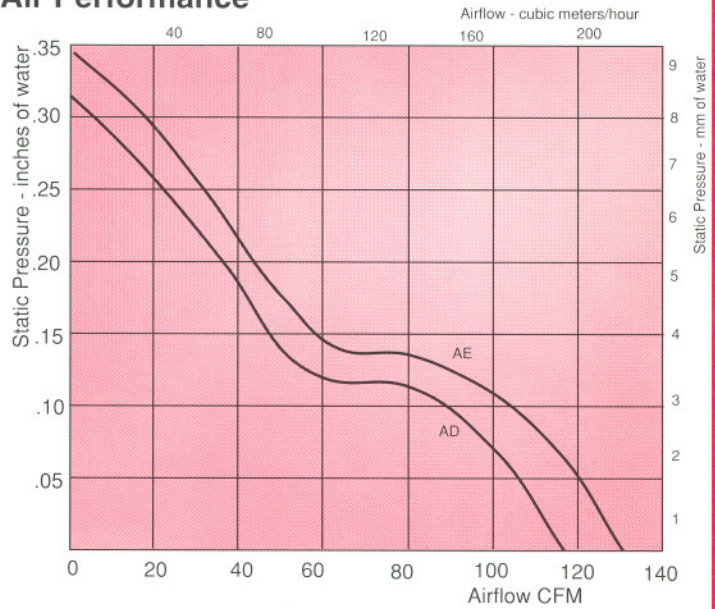
**W2G 115**  
**Brushless DC**  
 5" x 1-1/2"  
 (127mm x 38mm)



**Dimensions**



**Air Performance**



Ball Bearing Max. Temp. 72°C	DC Volts	Watts	CFM	dBA	PSIL dB	Features	Approvals		
							UL	CSA	VDE
W2G115-AE53-13	12	5.9	130	48	41	Terminals	√	√	√
W2G115-AE53-01	12	5.9	130	48	41	10.5" AWG 22 Leads	√	√	√
W2G115-AE31-13	24	5.7	130	48	41	Terminals	√	√	√
W2G115-AE31-01	24	5.7	130	48	41	10.5" AWG 22 Leads	√	√	√
W2G115-AD15-13	12	4.5	118	44	36	Terminals	√	√	√
W2G115-AD15-01	12	4.5	118	44	36	10.5" AWG 22 Leads	√	√	√
W2G115-AD17-13	24	4.7	118	44	36	Terminals	√	√	√
W2G115-AD17-01	24	4.7	118	44	36	10.5" AWG 22 Leads	√	√	√
W2G115-AD19-01	48	4.6	118	44	36	10.5" AWG 22 Leads	√	√	√

UL yellow card E54522, CSA file LR43145, VDE file 1375

**Construction, Mounting & Connection**

**Mounting:** From either face using four .185" (4.7mm) holes.  
**Weight:** 1.5 lbs. (.70kg)  
**Air Flow:** Struts on discharge.  
**Housing:** Aluminum.

**Connection:** Two polarized spade terminals .110" (2.8mm) wide, .020" (.51mm) thick and .33" (8.5mm) long on .295" (7.5mm) centers. Leads color coded, red(+), blue(-).  
**Option:** Special connectors.

## X-ON Electronics

Largest Supplier of Electrical and Electronic Components

*Click to view similar products for [DC Fans](#) category:*

*Click to view products by [ebm papst](#) manufacturer:*

Other Similar products are found below :

[614R](#) [AUB0612L](#) [AFB0948HH-S687](#) [G2E085-AA05-10](#) [4318/12T](#) [AUB0912H-F00](#) [3412N/2ME](#) [W2G110-AM39-01](#) [8412GLV](#) [8412NGL-12](#) [6448-384](#) [4114N/17-251](#) [622/2N](#) [4318/2R](#) [4412F/2D](#) [424JMU](#) [4414/2HH](#) [4112 N/12GL-175](#) [9GA0912F402](#) [9GA0812B20011](#)  
[AFB0824SHBAV1](#) [DV5214/2NP-230](#) [9GA0912H4021](#) [THC1548MGDJJ](#) [GFB1224SHG](#) [8500NU](#) [DC0401012V2B-3T0](#) [7F.20.9.024.3100](#)  
[ASFP12391](#) [ASFP12392](#) [ASFP80372](#) [ASFP92391](#) [MF92251V3-1000U-G99](#) [3254J/2HPU](#) [9A0612G402](#) [AD5012HB-C71](#) [AD5012MB-C71](#)  
[ASFP84372](#) [ASFP64372](#) [026758A](#) [3258J/2H3PU????](#) [412/2H](#) [4292](#) [MF60152V1-1000U-G99](#) [3610KL-04W-B50-D00](#) [109P0412K3023](#)  
[EE92251B1-000U-F99](#) [8218J/2H4P](#) [PE60251B1-000U-G99](#) [PF60381B1-000U-S99](#)