



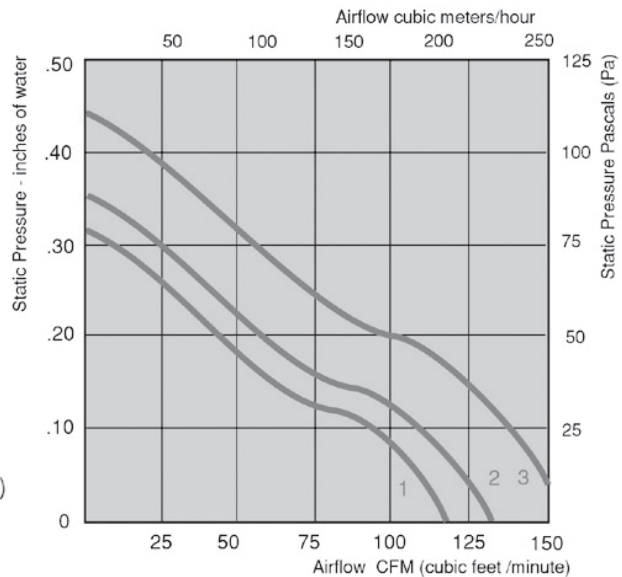
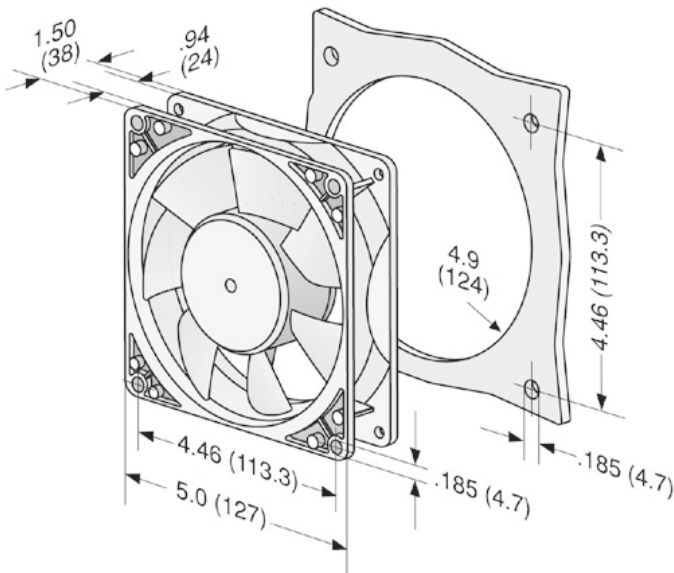
W2G115 Series

Tubeaxial

127x127x38mm

- DC fans with electronically commutated external rotor motor. Fully integrated commutation electronics.
- With electronic protection against reverse polarity and locked-rotor.
- Mounting from either face using four 4.7 mm holes.
- Die-cast aluminum housing. Impeller of sheet-steel, directly welded onto rotor and stove-enameled.
- Air exhaust over struts. Rotational direction CCW looking at rotor.
- Electrical connection via 2 flat pins 2.8 x 0.8 mm.
- UL, CSA, VDE approvals on some models, please contact application engineering.

Part Number	Curve	CFM @ 0	VDC	Volt. Range	Power (W)	dBA	Max Amb. Temp C	Bearing Type	Features	Wgt. (lbs)
W2G115-AD15-01	1	118	12	8 to 16	4.5	44	72	Ball	Leads	1.31
W2G115-AD15-13	1	118	12	8 to 16	4.5	44	72	Ball	Terminals	1.31
W2G115-AE53-01	2	130	12	8 to 16	5.9	48	72	Ball	Leads	1.56
W2G115-AE53-13	2	130	12	8 to 16	5.9	48	72	Ball	Terminals	1.56
W2G115-AD17-01	1	118	24	18 to 30	4.7	44	72	Ball	Leads	1.31
W2G115-AD17-13	1	118	24	18 to 30	4.7	44	72	Ball	Leads	1.31
W2G115-AE31-01	2	130	24	18 to 30	5.7	48	72	Ball	Leads	1.56
W2G115-AE31-13	2	130	24	18 to 30	5.7	48	72	Ball	Terminals	1.56
W2G115-AG71-01	3	160	24	16 to 28	12.0	52	72	Ball	Leads	1.56
W2G115-AG71-09	3	160	24	16 to 28	12.0	52	72	Ball	Terminals	1.56
W2G115-AG71-12	3	160	24	16 to 28	12.0	52	72	Ball	Terminals	1.56
W2G115-AD19-01	1	118	48	36 to 56	4.6	44	72	Ball	Leads	1.31



X-ON Electronics

Largest Supplier of Electrical and Electronic Components

Click to view similar products for [AC Fans](#) category:

Click to view products by [ebm papst](#) manufacturer:

Other Similar products are found below :

[M2E068-DF13-79](#) [F1238H24B-FHR](#) [8850A](#) [G9225S05B2-FSR](#) [A2D200-AA04-41](#) [A2E165-AA17-01](#) [R2D140-AB02-14](#) [R4D310-AS18-01](#)
[R4D400-AD22-06](#) [R4E180-AS11-09](#) [AD0912HB-A7BGL](#) [25.001.1856.0](#) [25.320.1153.1](#) [25.320.1353.1](#) [25.320.4753.1](#) [25.320.5453.1](#)
[25.330.1353.1](#) [25.330.4853.1](#) [25.330.5153.1](#) [25.330.5353.1](#) [25.340.1053.1](#) [25.350.5253.0](#) [25.600.4053.0](#) [272DL-2LP11-000](#) [S2E250-AL06-](#)
[70](#) [A2D210-AB10-05](#) [A2D240-AA02-02](#) [A2D250-AE22-06](#) [A2E170-AF23-01](#) [F1238S24BT-FSR](#) [25.000.1856.0](#) [25.000.2056.0](#)
[25.010.1856.0](#) [25.220.3953.1](#) [25.332.2453.1](#) [25.340.0453.1](#) [25.345.5353.0](#) [25.352.1853.0](#) [281DS-2LP11-000B](#) [281DY-1LP14-000B](#) [298DM-](#)
[2LP11-000](#) [298DS-2LP11-000A](#) [R2S150-AD08-09](#) [344DY-1LP11-000](#) [D2E146-CD51-09](#) [39.703.0253.0](#) [USTF1203224VHW](#)
[3G2C7MC224](#) [W2D300-CP02-48](#) [W2E300-DA01-52](#)