

# W2K121 Series

Tubeaxial

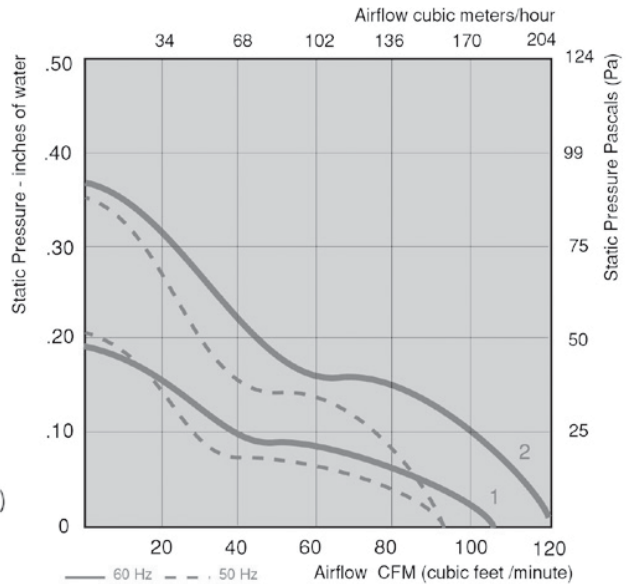
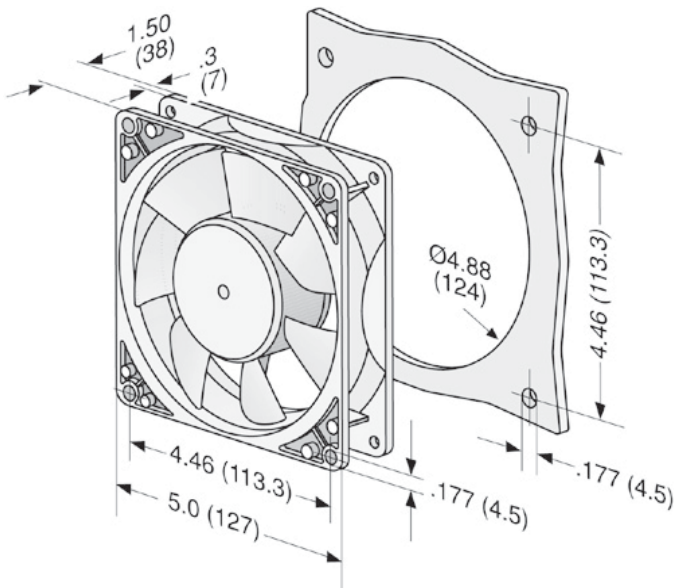
127x127x38mm



- AC fans with external rotor shaded-pole motor. Impedance protected against overloading.
- Metal fan housing, impeller of plastic PA.
- Air exhaust over struts. Rotational direction CCW looking at rotor.
- Mounting from either face using two 4.5 mm holes.
- Electrical connection via 2 flat pins 2.8 x 0.5 mm.
- Fan housing with ground lug for screw M 4x6 DIN 7500-C.
- UL, CSA, VDE approvals on some models, please contact application engineering.

Part Number	Curve	CFM @ 0	VAC	Hertz	Power (W)	dBa	Max Amb. Temp C	Bearing Type	Features	Wgt. (lbs)
W2K121-AB11-13	1	106	115	50/60	14	41	65	Ball	Terminals	1.25
W2K121-AB11-39	1	106	115	50/60	14	41	55	Sintec	Terminals	1.25
W2K121-AA15-01	2	121	115	50/60	17	47	75	Ball	Leads	1.25
W2K121-AA15-03	2	121	115	50/60	17	47	75	Sintec	Leads	1.25
W2K121-AA15-13	2	121	115	50/60	17	47	75	Ball	Terminals	1.25
W2K121-AA15-39	2	121	115	50/60	17	47	75	Sintec	Terminals	1.25
W2K121-AB07-13	1	106	230	50/60	14	41	65	Ball	Terminals	1.25
W2K121-AB07-39	1	106	230	50/60	14	41	55	Sintec	Terminals	1.25
W2K121-AA01-01	2	121	230	50/60	17	47	75	Ball	Leads	1.25
W2K121-AA01-03	2	121	230	50/60	17	47	75	Sintec	Leads	1.25
W2K121-AA01-13	2	121	230	50/60	17	47	75	Ball	Terminals	1.25
W2K121-AA01-39	2	121	230	50/60	17	47	75	Sintec	Terminals	1.25

Fan Type				Lead Wires	
AA01-01	AA01-03	AA15-01	AA15-03	269 mm long	AWG 22



## X-ON Electronics

Largest Supplier of Electrical and Electronic Components

*Click to view similar products for [AC Fans](#) category:*

*Click to view products by [ebm papst](#) manufacturer:*

Other Similar products are found below :

[M2E068-DF13-79](#) [F1238H24B-FHR](#) [8850A](#) [G9225S05B2-FSR](#) [A2D200-AA04-41](#) [A2E165-AA17-01](#) [R2D140-AB02-14](#) [R4D310-AS18-01](#)  
[R4D400-AD22-06](#) [R4E180-AS11-09](#) [AD0912HB-A7BGL](#) [1500-FAN-01](#) [25.001.1856.0](#) [25.320.1153.1](#) [25.320.1353.1](#) [25.320.4753.1](#)  
[25.320.5453.1](#) [25.330.1353.1](#) [25.330.4853.1](#) [25.330.5153.1](#) [25.330.5353.1](#) [25.340.1053.1](#) [25.350.5253.0](#) [25.600.4053.0](#) [272DL-2LP11-000](#)  
[S2E250-AL06-70](#) [A2D210-AB10-05](#) [A2D240-AA02-02](#) [A2D250-AE22-06](#) [A2E170-AF23-01](#) [F1238S24BT-FSR](#) [25.000.1856.0](#)  
[25.000.2056.0](#) [25.010.1856.0](#) [25.220.3953.1](#) [25.332.2453.1](#) [25.340.0453.1](#) [25.345.5353.0](#) [25.352.1853.0](#) [281DS-2LP11-000B](#) [281DY-](#)  
[1LP14-000B](#) [298DM-2LP11-000](#) [298DS-2LP11-000A](#) [R2S150-AD08-09](#) [344DY-1LP11-000](#) [39.703.0253.0](#) [USTF1203224VHW](#)  
[3915100996-SA3](#) [3G2C7MC224](#) [W2D200-HH04-07](#)