

# W2S130 Series

Tubeaxial

150Øx55mm

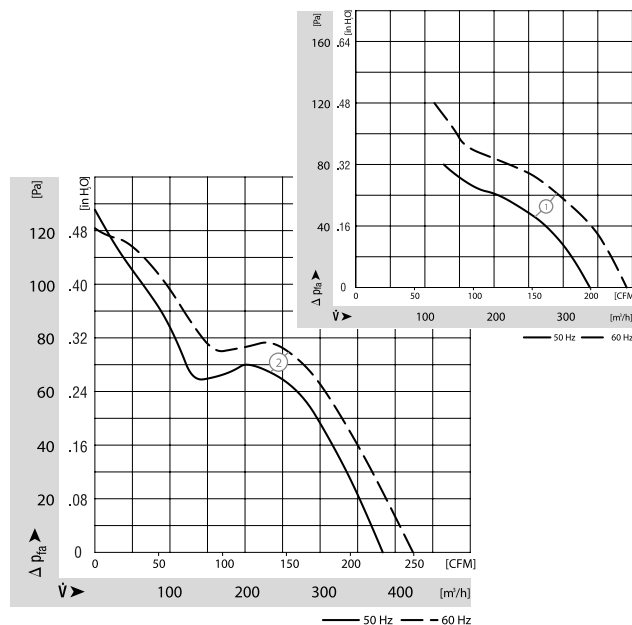
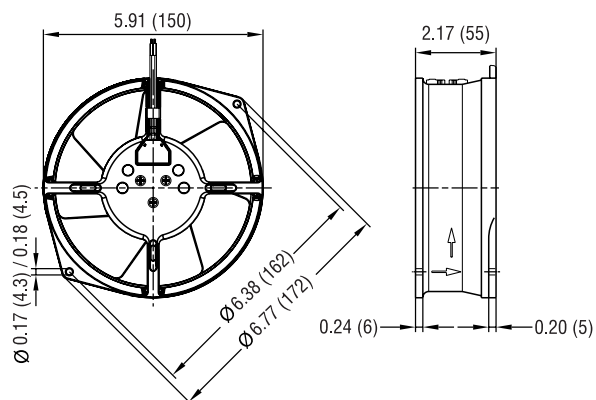


- AC fans with external rotor shaded-pole motor. Impedance protected against overloading.
- Die-cast aluminum housing. Impeller of sheet-steel, directly welded onto rotor.
- Rotational direction CCW looking at rotor.
- Cable length 330 mm as of wall ring.
- UL, CSA, VDE approvals on most models, please contact application engineering.

| Part Number    | Curve | CFM @ 0 | VAC     | Hertz* | Power (W) | dBA | Max Amb. Temp C | Bearing Type | Features  | Wgt. (lbs) |
|----------------|-------|---------|---------|--------|-----------|-----|-----------------|--------------|-----------|------------|
| W2S130-AA25-01 | 1     | 223.6   | 115     | 60*    | 38        | 53  | 80              | Ball         | Leads     | 2.44       |
| W2S130-AA25-44 | 1     | 223.6   | 115     | 60*    | 38        | 53  | 80              | Ball         | Terminals | 2.44       |
| W2S130-BM15-01 | 2     | 250.1   | 115     | 60*    | 46        | 62  | 70              | Ball         | Leads     | 2.44       |
| W2S130-AA03-01 | 1     | 223.6   | 230     | 60*    | 39        | 53  | 70              | Ball         | Leads     | 2.44       |
| W2S130-AA03-44 | 1     | 223.6   | 230     | 60*    | 38        | 53  | 70              | Ball         | Terminals | 2.44       |
| W2S130-BM03-01 | 2     | 250.1   | 230     | 60*    | 46        | 62  | 70              | Ball         | Leads     | 2.44       |
| W2S130-AA03-49 | 1     | 223.6   | 115/230 | 50/60  | 38        | 53  | 70              | Ball         | Leads     | 2.44       |

\* 50 Hz data available upon request

| Fan Type  | Air Flow            |
|-----------|---------------------|
| W2S130-AA | Exhaust over struts |
| W2S130-BM | Intake over struts  |



e-mail: [sales@us.ebmpapst.com](mailto:sales@us.ebmpapst.com) · TEL: 860-674-1515 · FAX: 860-674-8536

ebm-papst Inc., 100 Hyde Road, Farmington, CT 06034 USA

ebm-papst Inc., 2006 © ebm-papst Inc. reserves the right to change any specifications or data without notice

## X-ON Electronics

Largest Supplier of Electrical and Electronic Components

*Click to view similar products for [AC Fans](#) category:*

*Click to view products by [ebm papst](#) manufacturer:*

Other Similar products are found below :

[G9225S05B2-FSR](#) [A2D200-AA04-41](#) [A2E165-AA17-01](#) [AD0912HB-A7BGL](#) [1500-FAN-01](#) [25.001.1856.0](#) [25.320.1353.1](#) [25.320.4753.1](#)  
[25.320.5453.1](#) [25.330.1353.1](#) [25.330.4853.1](#) [25.330.5153.1](#) [25.330.5353.1](#) [25.340.1053.1](#) [25.350.5253.0](#) [25.600.4053.0](#) [272DL-2LP11-000](#)  
[A2D210-AB10-05](#) [A2D240-AA02-02](#) [A2D250-AE22-06](#) [A2E170-AF23-01](#) [F1238S24BT-FSR](#) [23241-3](#) [25.000.1856.0](#) [25.000.2056.0](#)  
[25.010.1856.0](#) [25.332.2453.1](#) [25.340.0453.1](#) [25.345.5353.0](#) [281DS-2LP11-000B](#) [281DY-1LP14-000B](#) [298DM-2LP11-000](#) [298DS-2LP11-](#)  
[000A](#) [344DY-1LP11-000](#) [39.703.0253.0](#) [USTF1203224VHW](#) [3G2C7MC224](#) [W2S130-AA03-43](#) [W2S130-AA25-97](#) [8856N](#) [A4D315-AC20-](#)  
[02](#) [A2E170-AF23-11](#) [W2S130-AB03-09](#) [8550A](#) [8560N](#) [8880A](#) [S4D300-AR34-17](#) [S2E250-AE31-08](#) [AD0405HB-G73\(9T\)](#) [CENT-2000-](#)  
[FFTM](#)