

Max. 1065 m³/h

EC axial fans

Ø 200 mm



- **Material:** Housing: Die-cast aluminum
Blades: PP plastic
Rotor: Thick-film passivated
- **Number of blades:** 7
- **Direction of air flow:** "V"
- **Direction of rotation:** Counterclockwise, looking towards rotor
- **Degree of protection:** Depending on installation and position⁽²⁾
- **Insulation class:** "B"
- **Installation position:** Any
- **Condensate discharges:** None, open rotor
- **Mode of operation:** Continuous operation (S1)
- **Bearings:** Maintenance-free ball bearings

Nominal data		Curve	Nominal voltage	Frequency	Nominal speed	Max. power consumption ⁽¹⁾	Max. input current ⁽¹⁾	Max. back-pressure	Admissible amb. temp.	Weight	Technical features and connection diagram
Type	Motor	VAC	Hz	rpm ⁻¹	W	A	Pa	°C	kg		
W3G200-HD01 -01	M3G 055-BD	Ⓐ 1~200-240	50/60	2 900	54	0,55	96	-25..+60	1,6	P. 260 / H3)	
W3G200-HD01 -03	M3G 055-BD	Ⓑ 1~200-240	50/60	2 900	54	0,55	96	-25..+60	1,6	P. 261 / H4)	
W3G200-HD23 -10	M3G 055-BD	Ⓒ 1~115	50/60	2 900	65	1,00	94	-25..+60	1,6	P. 261 / H4)	

Subject to change

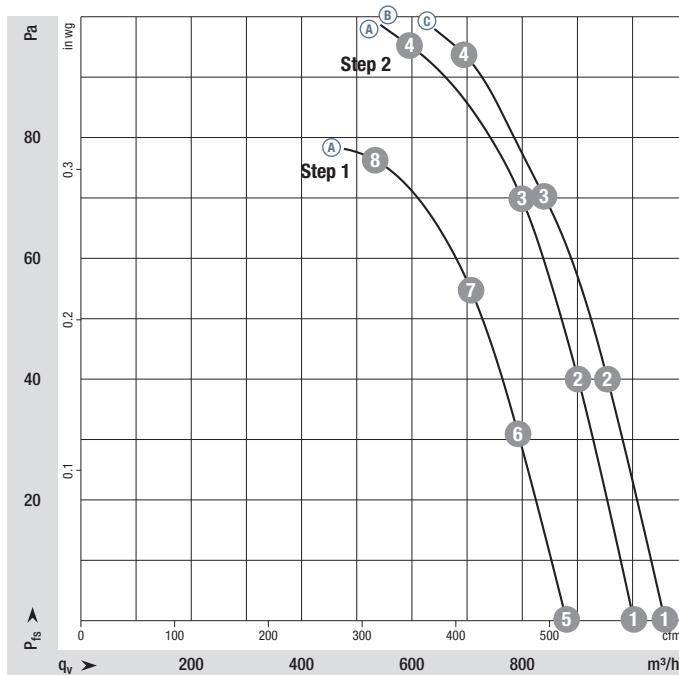
⁽¹⁾ Nominal data in operating point with maximum load and 230 VAC

⁽²⁾ Not suitable for permanent outdoor use. Special version available on request.

Curves:

Ⓐ 2 Speed stages

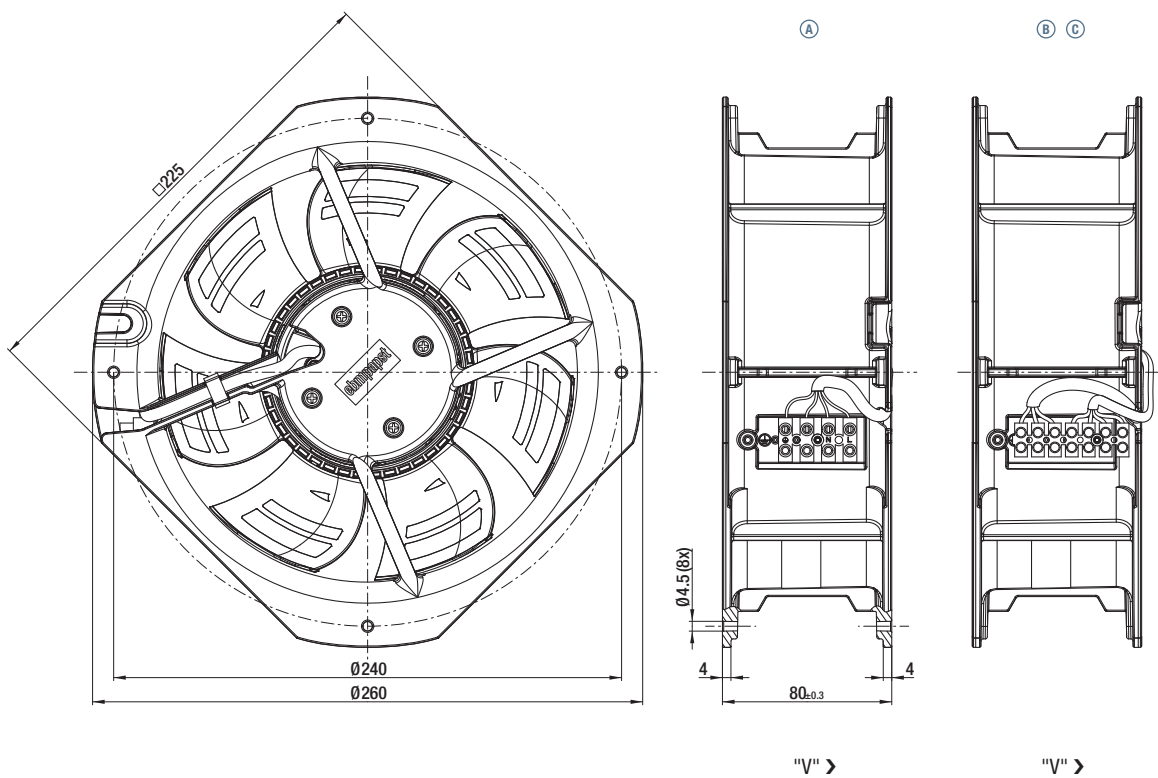
Ⓑ Ⓒ Speed-controlled



	n rpm ⁻¹	P _{ed} W	I A	L _{wA} dB(A)
Ⓐ 1	2970	50	0,49	65
Ⓐ 2	2890	54	0,53	64
Ⓐ 3	2830	58	0,56	65
Ⓐ 4	2900	54	0,55	70
Ⓐ 5	2645	36	0,37	62
Ⓐ 6	2575	39	0,40	61
Ⓐ 7	2530	42	0,42	62
Ⓐ 8	2500	43	0,43	67
Ⓑ 1	2970	50	0,49	65
Ⓑ 2	2890	54	0,53	64
Ⓑ 3	2830	58	0,56	65
Ⓑ 4	2900	54	0,55	70
Ⓒ 1	3150	62	1,00	66
Ⓒ 2	3050	65	1,00	66
Ⓒ 3	2930	65	1,00	72
Ⓒ 4	2900	65	1,00	74

Air performance measured according to: ISO 5801. Installation category A, without contact protection. Suction-side noise levels: L_{wA} according to ISO 13347, L_{pA} measured at 1 m distance from fan axis. The values given are applicable only under the specified measuring conditions and may differ depending on the installation conditions. In the event of deviation from the standard configuration, the parameters must be checked after installation! For detailed information see <http://www.ebmpapst.com/general-conditions>

- **Technical features:** See connection diagram p. 260/261
- **Touch current:** ≤ 3.5 mA acc. to IEC 60990 (test circuit, illustration 4)
- **Electrical hookup:** Via terminal strip
- **Protection class:** I (with customer connection to grounding conductor)
- **Conformity with standard(s):** EN 60335-1, CE
- **Approvals:** VDE, cURus



X-ON Electronics

Largest Supplier of Electrical and Electronic Components

Click to view similar products for [EC Fans](#) category:

Click to view products by [ebm papst](#) manufacturer:

Other Similar products are found below :

[N43-45001](#) [CF4113HBL-000U-ABD](#) [ACi4400H](#) [ACi4400L](#) [3238.500](#) [3241.500](#) [CF4113MBL-000U-AE9](#) [ACi4400HH](#) [ACI4400MLR](#)
[8218J/2H3](#) [CF4113HBT-000U-ABD](#) [AC4300H](#) [ACi4410HH](#) [ACi4420H](#) [ACi4420HH](#) [ACI4420ML](#) [W1G200-EF01-01](#) [W1G230-EB97-01](#)
[W1G250-BB17-01](#) [W3G250-CD54-01](#) [W3G280-EQ08-44](#) [W3G280-EQ20-43](#) [FMA1-06025WBHW12](#) [FMA1-08025WBHT12](#) [FMA1-](#)
[08025WBHW12](#) [FMA1-08038WBHT12](#) [FMA1-09225WBHT12](#) [FMA1-09225WBHW12](#) [FMA1-09238WBHT12](#) [FMA1-09238WBHW12](#)
[FMA1-12025WBHT12](#) [FMA1-12025WBHW12](#) [FMA1-12038WBHT12](#) [FMA1-12038WBHW12](#) [FMA1-12038WBJW12-A](#) [FMA1-](#)
[17251WBHW32](#) [CF4113HBL-000U-AB9](#) [CF4113LBL-000U-AB9](#) [CF4113LBL-000U-ABD](#) [CF4113MBL-000U-AB9](#) [CF4113MBL-000U-](#)
[ABD](#) [W1G250-BB21-01](#) [W2G107-AD01-13](#) [W2G107-AD03-13](#) [W1G200-EA95-68](#) [CF4113LBT-000U-A99](#) [CF4113MBL-000U-AA9](#)
[CF4113MBT-000U-A99](#) [CF4113LBL-000U-AA9](#) [CF4113MBT-000U-AA9](#)