

W3G280-EQ20-43

EC axial fan

with brushless DC motor

Automotive



ebm-papst Mulfingen GmbH & Co. KG

Bachmühle 2 · D-74673 Mulfingen

Phone +49 7938 81-0

Fax +49 7938 81-110

info1@de.ebmpapst.com

www.ebmpapst.com

Limited partnership · Headquarters Mulfingen

Amtsgericht (court of registration) Stuttgart · HRA 590344

General partner Elektrobau Mulfingen GmbH · Headquarters Mulfingen

Amtsgericht (court of registration) Stuttgart · HRB 590142



Nominal data

Type	W3G280-EQ20-43	
Motor	M3G074-CF	
Nominal voltage	VDC	26
Method of obtaining data		fa
Speed (rpm)	min ⁻¹	3100
Power consumption	W	200
Current draw	A	7.5
Min. ambient temperature	°C	-40
Max. ambient temperature	°C	85

ml = Max. load · me = Max. efficiency · fa = Free air · cs = Customer specification · ce = Customer equipment
Subject to change

Data according to ErP Directive

		Actual	Req. 2015
01 Overall efficiency η_{es}	%	41	29.1
02 Measurement category		A	
03 Efficiency category		Static	
04 Efficiency grade N		51.9	40
05 Variable speed drive		Yes	

Data obtained at optimum efficiency level.
The ErP data is determined using a motor-impeller combination in a standardized measurement setup.

09 Power consumption P_e	kW	0.19
09 Air flow q_v	m ³ /h	1355
09 Pressure increase p_{fs}	Pa	189
10 Speed (rpm) n	min ⁻¹	3085
11 Specific ratio*		1.00

* Specific ratio = $1 + p_{fs} / 100\,000\text{ Pa}$

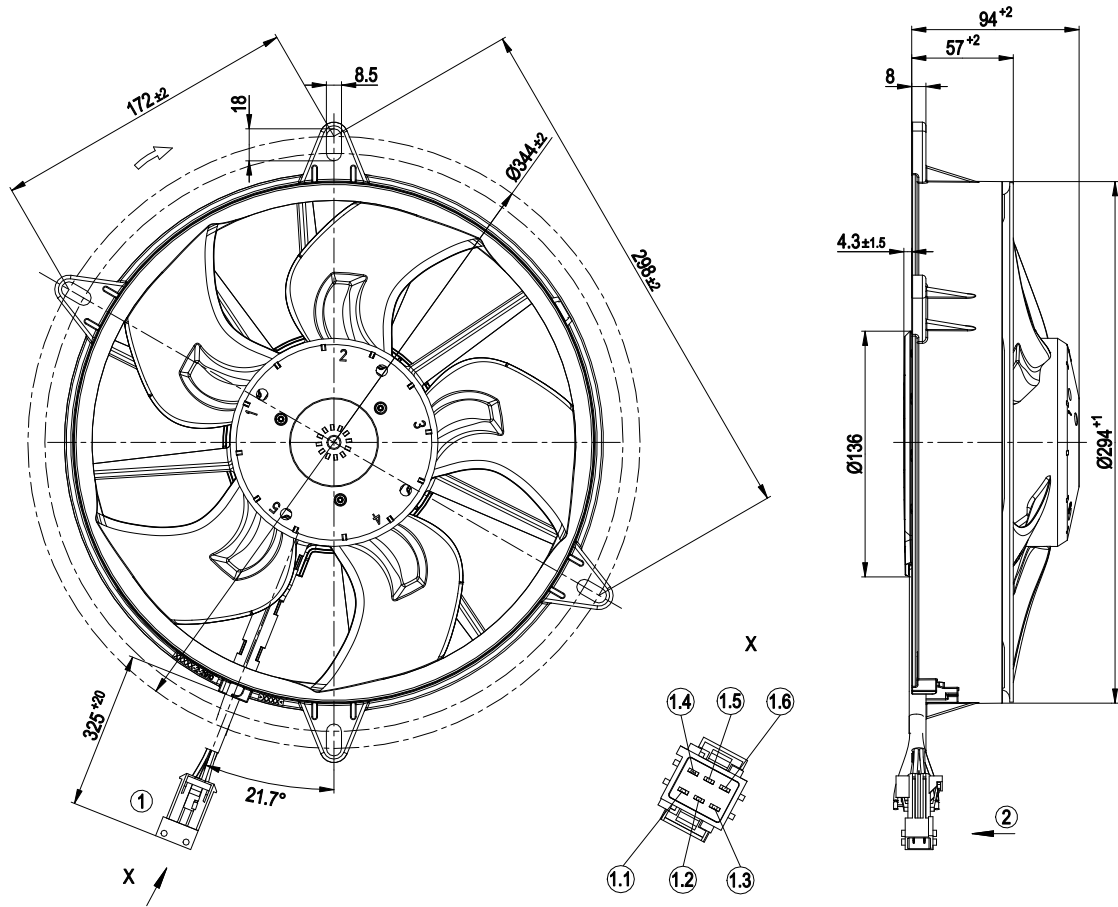
LU-66886



Technical description

Weight	2.4 kg
Fan size	280 mm
Impeller material	PBT plastic
Fan housing material	PP plastic
Number of blades	5
Airflow direction	"V"
Balancing grade according to DIN ISO 1940-1	G 10
Direction of rotation	Clockwise, viewed toward rotor
Degree of protection	IP24 KM
Insulation class	"B"
Moisture (F) / Environmental (H) protection class	F3-2
Max. permitted ambient temp. for motor (transport/storage)	+85 °C
Min. permitted ambient temp. for motor (transport/storage)	-40 °C
Installation position	Any
Condensation drainage holes	None, open rotor
Mode	S1
Motor bearing	Ball bearing; (sealed)
Life expectancy	25,000 h (typical)
Technical features	<ul style="list-style-type: none"> - Lowering input - Tach output - Fault output (high-side switch max. 30 mA) - INVLIN (inverse linear control input) - Load dump (58 V) - Motor current limitation - Soft start - Control input 0-10 VDC / PWM - Overvoltage detection - Thermal overload protection for electronics - Line undervoltage detection
EMC regulations	According to ECE R10 Rev. 3
Electrical hookup	With plug; Standby current less than 500 µA
Motor protection	Reverse polarity and locked-rotor protection
With cable	Lateral
Approval	EAC; E1
Sound level	79 dB(A), sound power level according to ISO 13347
Comment	Type approval number – 035492

Product drawing



1	Cable with 6-pole coded plug tyco Junior Power Timer 1-962349-1 cable (460 mm) with mating connector, part no. 02002-4-1021 not included in scope of delivery
1.1	+ UB (black)
1.2	GND (brown)
1.3	PWM/LIN (yellow)
1.4	INVLIN (orange)
1.5	ABSENK (blue)
1.6	Diagnostic output (white)
2	Direction of air flow "V"

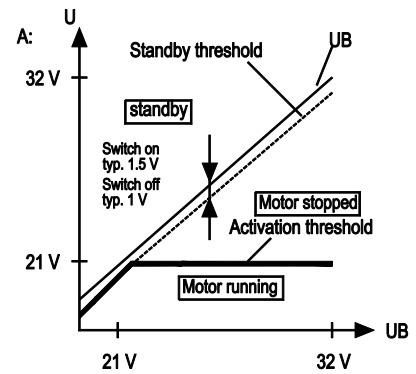
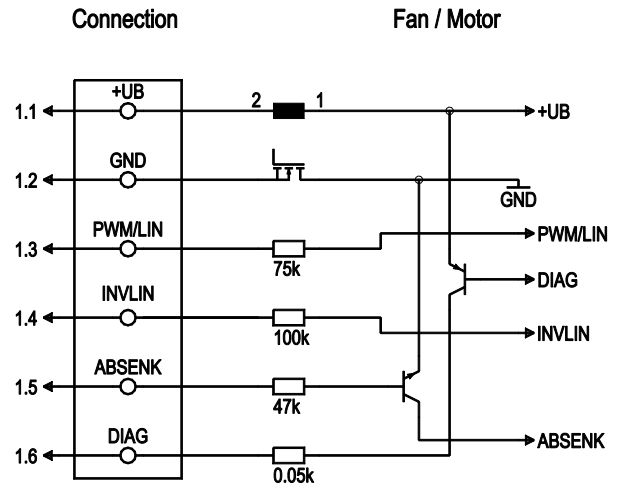
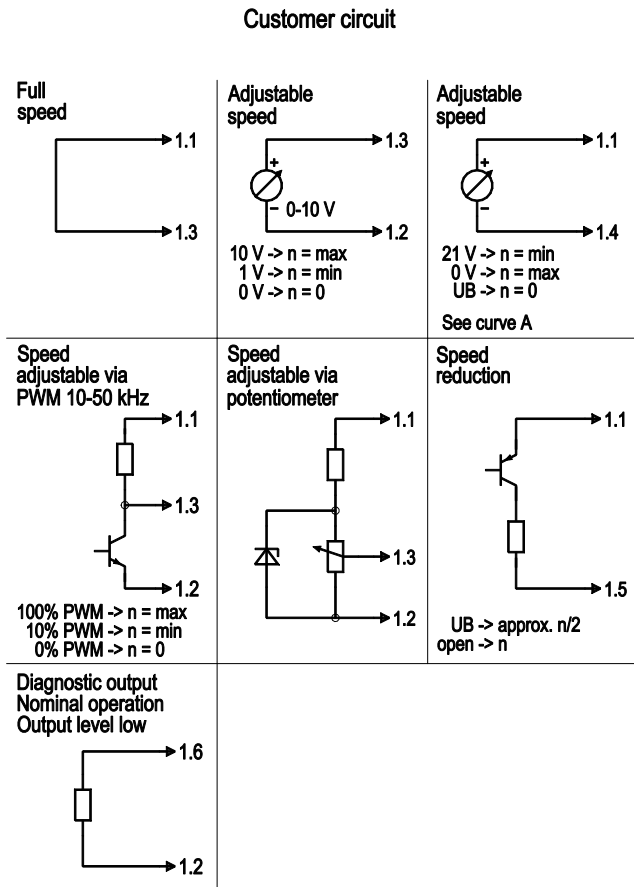


EC axial fan

with brushless DC motor

Automotive

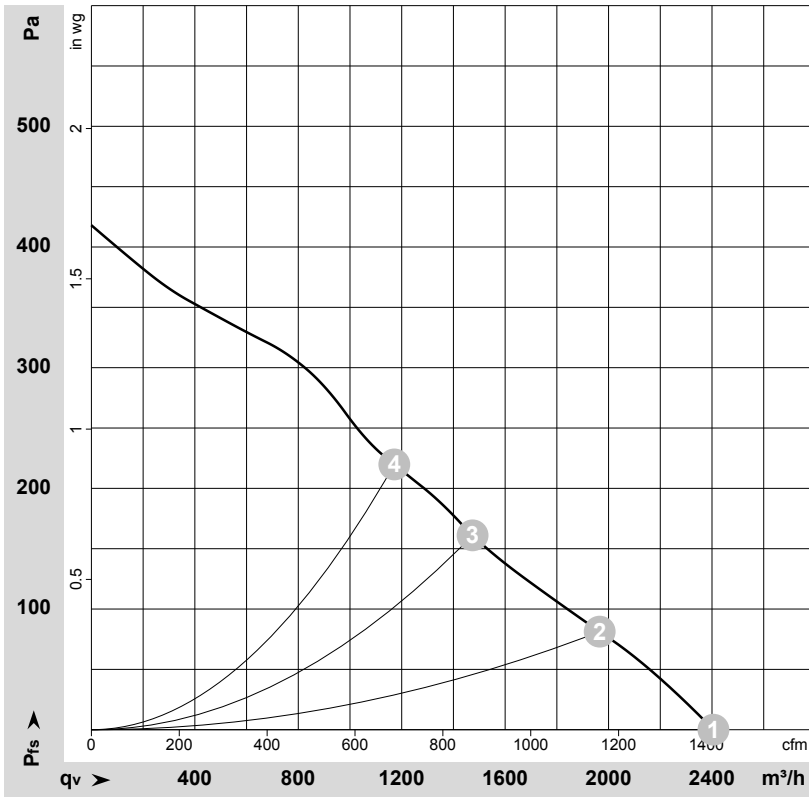
Connection diagram



No.	Conn.	Designation	Function/assignment
	1.1	+UB	Power supply
	1.2	GND	Power supply GND, reference ground
	1.3	PWM/LIN	Analog voltage control input 0-10 V or PWM
	1.4	INVLIN	Control input, inverse linear
	1.5	ABSENK	Lowering input
	1.6	DIAG	Diagnostic output



Curves: Air performance



$\rho = 1.15 \text{ kg/m}^3 \pm 2 \%$

Measurement: LU-66886-1

Air performance measured according to ISO 5801 installation category A. For detailed information on the measurement setup, contact ebmpapst. Intake sound level: Sound power level according to ISO 13347 / sound pressure level measured at 1 m distance from fan axis. The values given are valid under the specified measuring conditions and may vary due to conditions of installation. For deviations from the standard configuration, the parameters have to be checked on the installed unit.

Measured values

	U	n	P _{ed}	I	qv	p _{fs}	qv	p _{fs}
	V	min ⁻¹	W	A	m ³ /h	Pa	CFM	inH ₂ O
1	26	3100	200	7.50	2405	0	1415	0.00
2	26	3095	200	7.50	1965	80	1155	0.32
3	26	3085	192	7.35	1475	160	870	0.64
4	26	3105	214	8.22	1170	220	690	0.88

U = Power supply · n = Speed (rpm) · P_{ed} = Power consumption · I = Current draw · qv = Air flow · p_{fs} = Pressure increase



X-ON Electronics

Largest Supplier of Electrical and Electronic Components

Click to view similar products for [EC Fans](#) category:

Click to view products by [ebm papst](#) manufacturer:

Other Similar products are found below :

[N43-45001](#) [CF4113HBL-000U-ABD](#) [ACi4400H](#) [ACi4400L](#) [3238.500](#) [3241.500](#) [CF4113MBL-000U-AE9](#) [ACi4400HH](#) [ACI4400MLR](#)
[8218J/2H3](#) [CF4113HBT-000U-ABD](#) [AC4300H](#) [ACi4410HH](#) [ACi4420H](#) [ACi4420HH](#) [ACI4420ML](#) [W1G200-EF01-01](#) [W1G230-EB97-01](#)
[W1G250-BB17-01](#) [W3G250-CD54-01](#) [W3G280-EQ08-44](#) [W3G280-EQ20-43](#) [FMA1-06025WBHW12](#) [FMA1-08025WBHT12](#) [FMA1-](#)
[08025WBHW12](#) [FMA1-08038WBHT12](#) [FMA1-09225WBHT12](#) [FMA1-09225WBHW12](#) [FMA1-09238WBHT12](#) [FMA1-09238WBHW12](#)
[FMA1-12025WBHT12](#) [FMA1-12025WBHW12](#) [FMA1-12038WBHT12](#) [FMA1-12038WBHW12](#) [FMA1-12038WBJW12-A](#) [FMA1-](#)
[17251WBHW32](#) [CF4113HBL-000U-AB9](#) [CF4113LBL-000U-AB9](#) [CF4113LBL-000U-ABD](#) [CF4113MBL-000U-AB9](#) [CF4113MBL-000U-](#)
[ABD](#) [W1G250-BB21-01](#) [W2G107-AD01-13](#) [W2G107-AD03-13](#) [W1G200-EA95-68](#) [CF4113LBT-000U-A99](#) [CF4113MBL-000U-AA9](#)
[CF4113MBT-000U-A99](#) [CF4113LBL-000U-AA9](#) [CF4113MBT-000U-AA9](#)