

## EUROSTYLE P.C.B. TERMINAL BLOCK

TÜV R50002918  
E133988(R)

ETB13 SERIES

CLAMPING TYPE

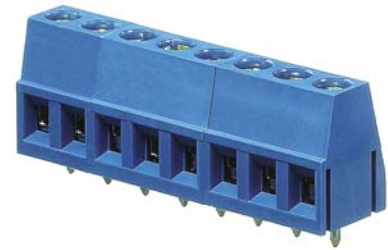
PITCH=5.0 / 10.0mm

### FEATURES

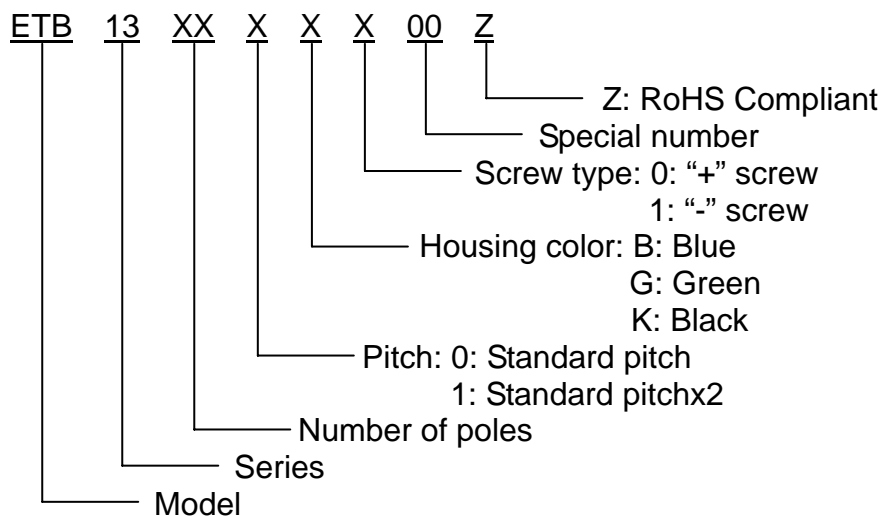
- Easy to assemble for any number of positions
- End stackable without any loss of P.C.B. space
- Special wire protector design to ensure reliable wire clamping
- UL 94V-0 grade fire retardant engineering plastic used for the housing
- Be capable of clamping a wide range of wire diameters
- Compact size for P.C.B.

### SPECIFICATIONS

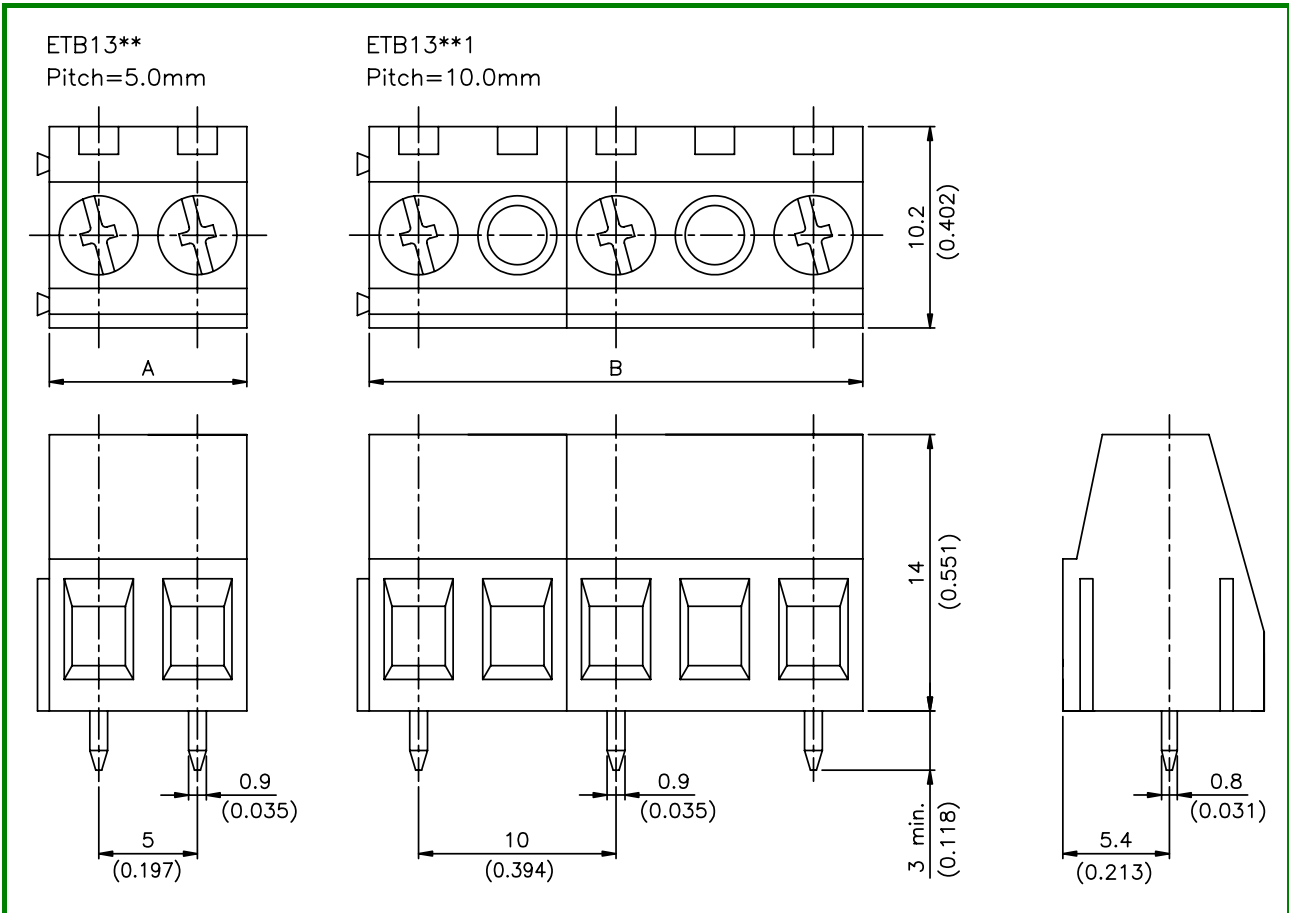
- Pitch 5.0mm, 10.0mm
- Wire range 22~12 AWG (4.0mm<sup>2</sup>)
- No. of pole per block 2P or 3P
- Rating 16 Amp, 300 VAC
- Housing PA66
- Terminals Tin plated over Brass
- Screws M2.6x0.45P, Zinc plated over Steel
- Wire cage Nickel plated over Zinc Alloy
- Torque 0.47 N-m (4.2 lb-in) (tested by manual torque screwdriver)
- Operating temperature -30°C ~ +110°C (includes temperature rise limit)
- Stripping length 6mm
- UL Approval 300V, 16A, 22~12 AWG
- TUV Approval 250V, T80, 1.5mm<sup>2</sup>



### PART NUMBERING SYSTEM



## DRAWING



POLE DIM.	2	3	4	5	6	7	8	9	10	11	12	13
A	10 (0.394)	15 (0.591)	20 (0.787)	25 (0.984)	30 (1.181)	35 (1.378)	40 (1.575)	45 (1.772)	50 (1.969)	55 (2.165)	60 (2.362)	65 (2.559)
B	15 (0.591)	25 (0.984)	35 (1.378)	45 (1.772)	55 (2.165)	65 (2.559)	75 (2.953)	85 (3.346)	95 (3.740)	105 (4.134)	115 (4.528)	
POLE DIM.	14	15	16	17	18	19	20	21	22	23	24	
A	70 (2.756)	75 (2.953)	80 (3.150)	85 (3.346)	90 (3.543)	95 (3.740)	100 (3.937)	105 (4.134)	110 (4.331)	115 (4.528)	120 (4.724)	

## X-ON Electronics

Largest Supplier of Electrical and Electronic Components

*Click to view similar products for [Pluggable Terminal Blocks](#) category:*

*Click to view products by [ECC manufacturer](#):*

Other Similar products are found below :

[57.404.7553](#) [57.504.0053.7](#) [57.510.0053](#) [57.910.6153](#) [01.112.1453](#) [CTB932VE/6](#) [MC 1.5/ 6-ST-3.5 GY AU](#) [ET02015000J0G](#) [734-104](#) [734-302](#) [734-304](#) [8-141-P](#) [FKCT 2.5/ 3-ST KMGY](#) [860505](#) [860508](#) [860516](#) [860810](#) [861908](#) [GBPACX-12](#) [93.731.4953.0](#) [PV05-5,08-K](#) [PVP02-5,00](#) [PVP04-3,50](#) [PVS02-5,00](#) [1-1986160-3](#) [H-10](#) [1546228-5](#) [ELFH09150](#) [ELFH16150](#) [ELFP03110](#) [ELFT06250](#) [ELFT07250](#) [ELVF09400](#) [ELVP03100](#) [ELXH03100](#) [ELXH071G0E](#) [ELXP041G0](#) [ELXT046G0](#) [1700101](#) [1700410](#) [1700425](#) [1703176](#) [1705229](#) [1710175](#) [1714537](#) [1717806](#) [1719600](#) [1729386](#) [1734692](#) [1734795](#)