

## WIRE TO P.C.B. TYPE TERMINAL BLOCK

**UL E133988(R)**

<b>ETB56 SERIES</b>	<b>MOUNT ENDS WITH COVER TYPE / DOVETAIL WITH COVER TYPE</b>	<b>PITCH=7.62mm</b>
---------------------	--------------------------------------------------------------	---------------------

### ■ FEATURES

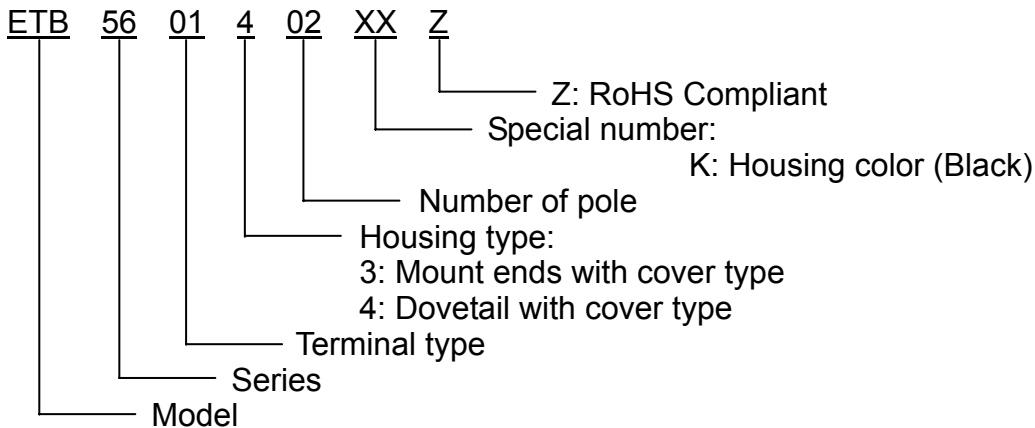
- Safety cover design for preventing electric shock hazard
- Easy to assemble for any number of positions
- End stackable without any loss of P.C.B. space
- Special wire protector design to ensure reliable wire clamping
- UL 94V-0 grade fire retardant engineering plastic used for the housing
- Be capable of clamping a wide range of wire diameters
- Compact size for P.C.B.

### ■ SPECIFICATIONS

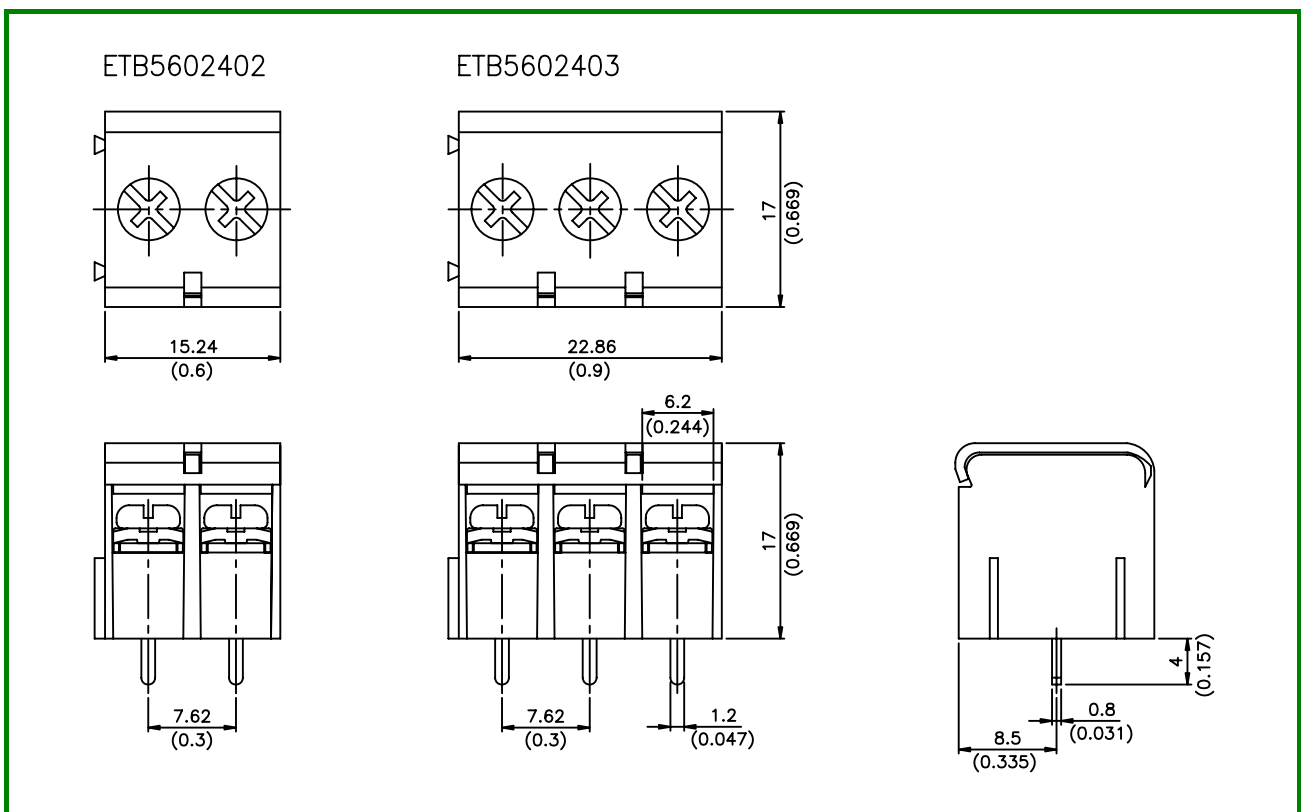
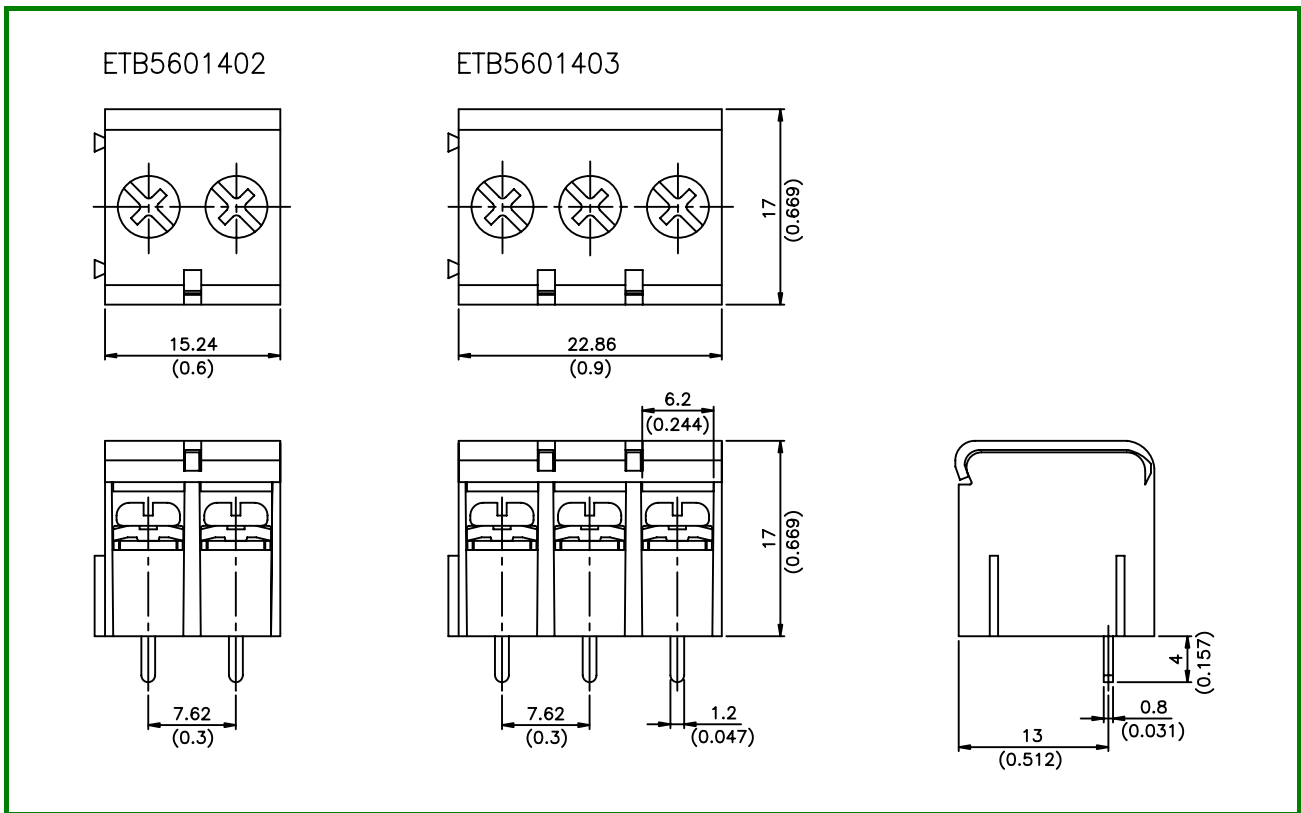
- |                         |                               |
|-------------------------|-------------------------------|
| ● Pitch                 | 7.62mm (0.3 inch)             |
| ● Wire range            | 14~22 AWG                     |
| ● Rating                | 14 Amp, 300 VAC               |
| ● Housing material      | Polyamide 66 resin (UL 94V-0) |
| ● Terminals             | Tin plated over Brass         |
| ● Screws                | Nickel plated over Steel      |
| ● Dielectric strength   | 2000 VAC (Min.)               |
| ● Insulation resistance | 1000 MΩ, 500 VDC              |



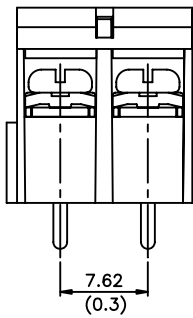
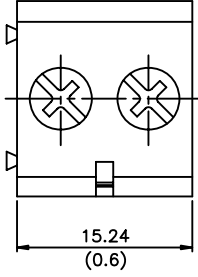
### ■ PART NUMBERING SYSTEM:



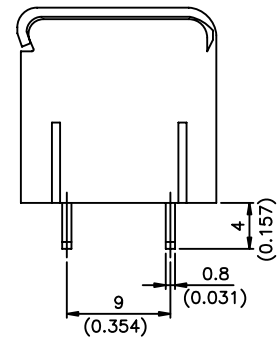
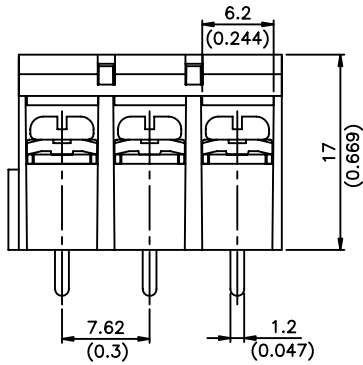
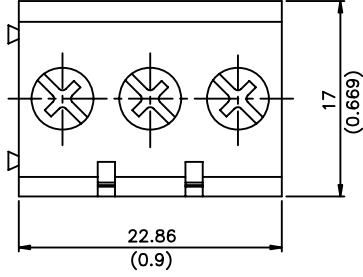
## ■ DRAWING (DOVETAIL WITH COVER TYPE)



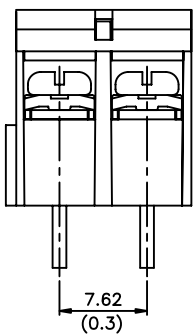
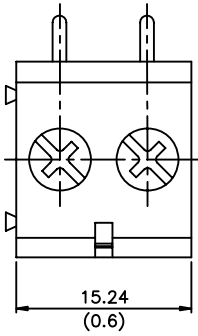
ETB5603402



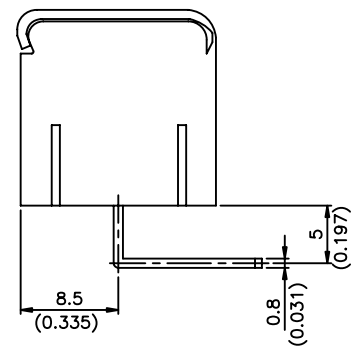
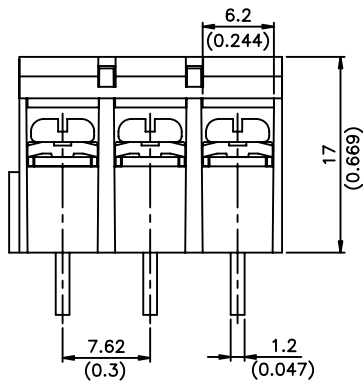
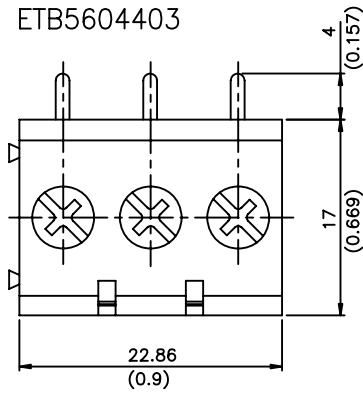
ETB5603403



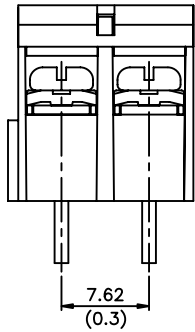
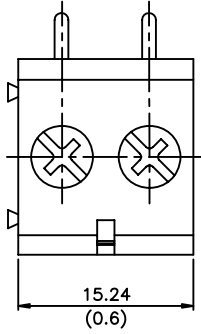
ETB5604402



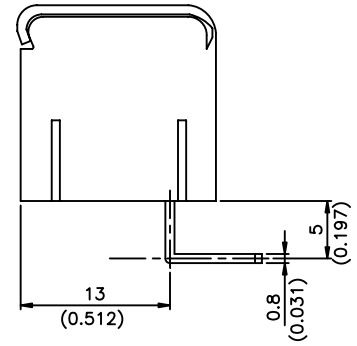
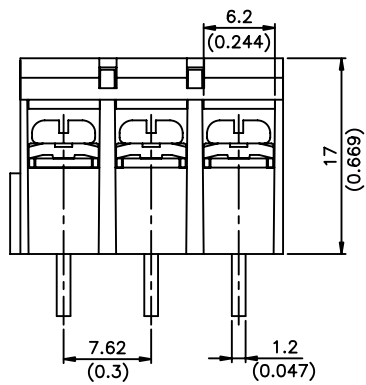
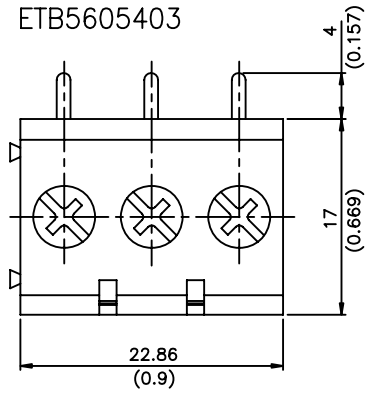
ETB5604403



ETB5605402



ETB5605403



## X-ON Electronics

Largest Supplier of Electrical and Electronic Components

*Click to view similar products for [Pluggable Terminal Blocks](#) category:*

*Click to view products by [ECC manufacturer](#):*

Other Similar products are found below :

[57.404.7553](#) [57.504.0053.7](#) [57.510.0053](#) [57.910.6153](#) [01.112.1453](#) [CTB932VE/6](#) [MC 1.5/ 6-ST-3.5 GY AU](#) [ET02015000J0G](#) [734-104](#) [734-302](#) [734-304](#) [8-141-P](#) [FKCT 2.5/ 3-ST KMGY](#) [860505](#) [860508](#) [860516](#) [860810](#) [861908](#) [GBPACX-12](#) [93.731.4953.0](#) [PV05-5,08-K](#) [PVP02-5,00](#) [PVP04-3,50](#) [PVS02-5,00](#) [1-1986160-3](#) [H-10](#) [1546228-5](#) [ELFH09150](#) [ELFH16150](#) [ELFP03110](#) [ELFT06250](#) [ELFT07250](#) [ELVF09400](#) [ELVP03100](#) [ELXH03100](#) [ELXH071G0E](#) [ELXP041G0](#) [ELXT046G0](#) [1700101](#) [1700410](#) [1700425](#) [1703176](#) [1705229](#) [1710175](#) [1714537](#) [1717806](#) [1719600](#) [1729386](#) [1734692](#) [1734795](#)