

PLUG IN TYPE TERMINAL BLOCK

TÜV R50130520
E133988(R)

ETB85 SERIES

CLAMPING TYPE

PITCH=3.5mm

FEATURES

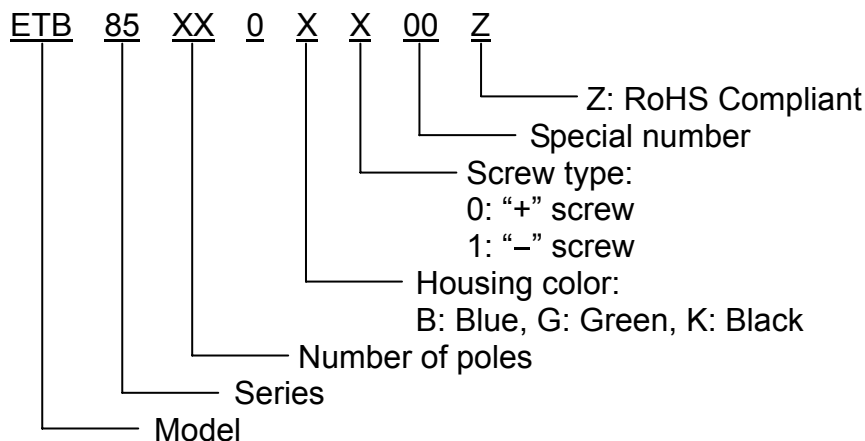
- Special wire protector design to ensure reliable wire clamping
- Be capable of clamping a wide range of wire diameters
- The Male connector of plug using a twin leaf phosphor bronze contact mates with the Female socket
- The Female socket is mounted and soldered to the P.C.B.
- Good for insertion & withdrawal
- UL 94V-0 grade fire retardant engineering plastic used for the housing

SPECIFICATIONS

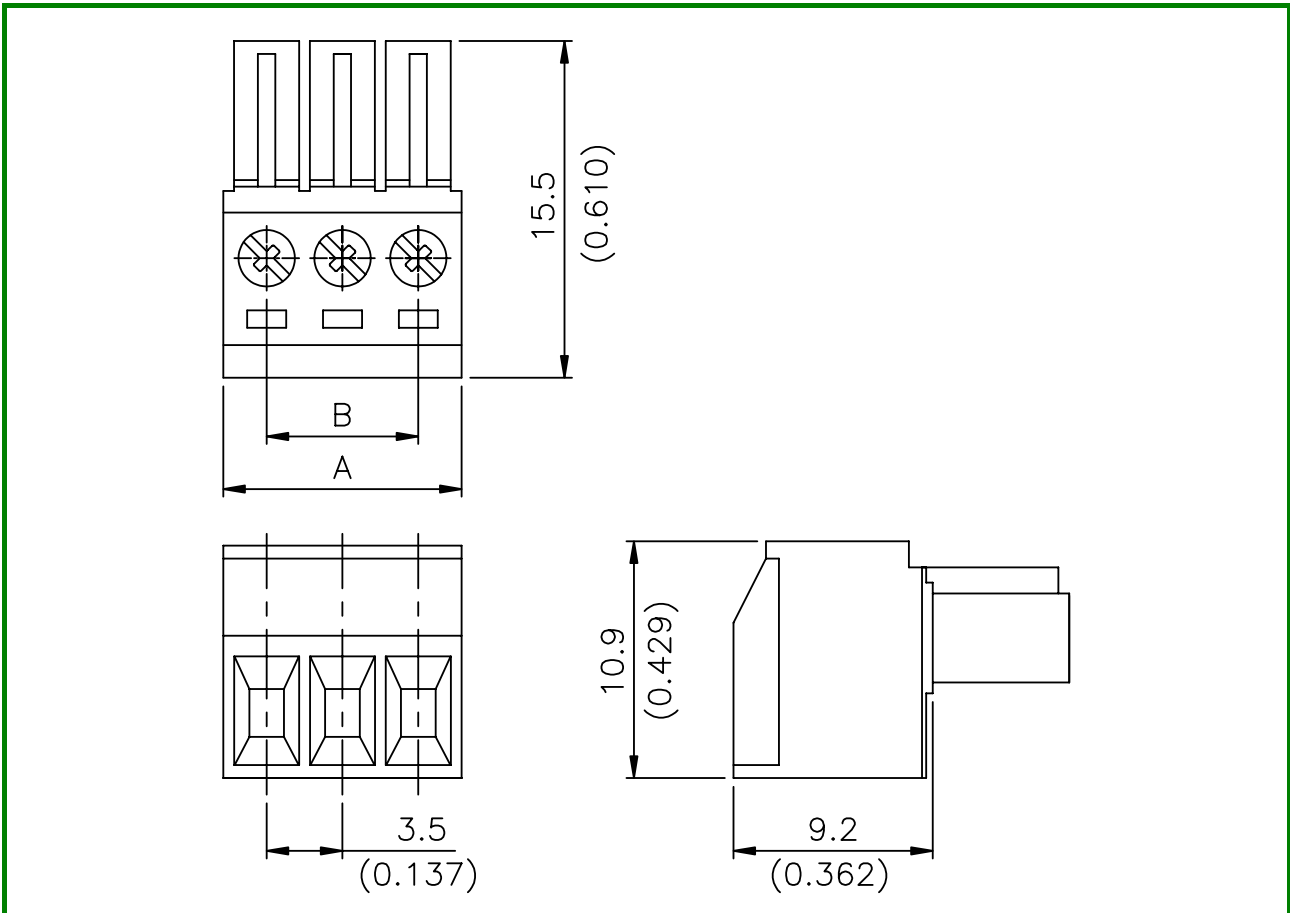
- | | |
|-------------------------|--|
| ● Pitch | 3.5mm |
| ● Wire range | 28~16 AWG (1.5mm ²) |
| ● No. of pole per block | 2P to 16P |
| ● Rating | 6 Amp, 300 VAC |
| ● Housing | PA66 |
| ● Wire cage | Nickel plated over Zinc Alloy |
| ● Contacts | Tin plated over Phosphor bronze |
| ● Screws | M2.0x0.4P, Zinc plated over Steel |
| ● Torque | 0.25 N-m (2.2 lb-in) (tested by manual torque screwdriver) |
| ● Operating temperature | -30°C~+110°C (includes temperature rise limit) |
| ● Stripping length | 6mm |
| ● Contact resistance | <15mΩ |
| ● UL Approval | 300V, 6A, 28~16 AWG |
| ● TUV Approval | 130V, 8A Max., 0.2 to 1.0mm ² |
| ● Plug in with ETB87 | |



PART NUMBERING SYSTEM



■ DRAWING



POLE DIM.	2	3	4	5	6	7	8	9	10	11	12	13	14	15	16
A	7.5 (0.295)	11.0 (0.433)	14.5 (0.571)	18.0 (0.709)	21.5 (0.847)	25.0 (0.984)	28.5 (1.122)	32.0 (1.260)	35.5 (1.398)	39.0 (1.535)	42.5 (1.673)	46.0 (1.811)	49.5 (1.949)	53.0 (2.087)	56.5 (2.224)
B	3.5 (0.138)	7.0 (0.276)	10.5 (0.413)	14.0 (0.551)	17.5 (0.689)	21.0 (0.827)	24.5 (0.965)	28.0 (1.102)	31.5 (1.240)	35.0 (1.378)	38.5 (1.516)	42.0 (1.654)	45.5 (1.792)	49.0 (1.929)	52.5 (2.067)

X-ON Electronics

Largest Supplier of Electrical and Electronic Components

Click to view similar products for [Pluggable Terminal Blocks](#) category:

Click to view products by [ECC manufacturer](#):

Other Similar products are found below :

[57.404.7553](#) [57.504.0053.7](#) [57.510.0053](#) [57.910.6153](#) [01.112.1453](#) [CTB932VE/6](#) [MC 1.5/ 6-ST-3.5 GY AU](#) [ET02015000J0G](#) [734-104](#) [734-302](#) [734-304](#) [8-141-P](#) [FKCT 2.5/ 3-ST KMGY](#) [860505](#) [860508](#) [860516](#) [860810](#) [861908](#) [GBPACX-12](#) [93.731.4953.0](#) [PV05-5,08-K](#) [PVP02-5,00](#) [PVP04-3,50](#) [PVS02-5,00](#) [1-1986160-3](#) [H-10](#) [1546228-5](#) [ELFH09150](#) [ELFH16150](#) [ELFP03110](#) [ELFT06250](#) [ELFT07250](#) [ELVF09400](#) [ELVP03100](#) [ELXH03100](#) [ELXH071G0E](#) [ELXP041G0](#) [ELXT046G0](#) [1700101](#) [1700410](#) [1700425](#) [1703176](#) [1705229](#) [1710175](#) [1714537](#) [1717806](#) [1719600](#) [1729386](#) [1734692](#) [1734795](#)