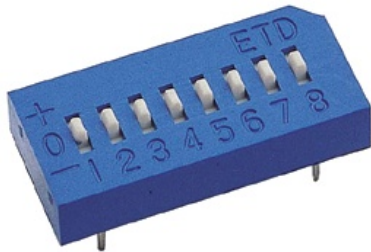


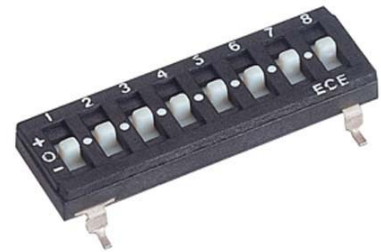
ETD/ETA/ETS SERIES TRI-STATE TYPE



ETD



ETA



ETS

■ FEATURES

- With three state (1, open, 0) setting function, especially suitable for encoding/decoding of tri-state encoder/decoder integrated circuit to obtain more security codes than traditional two-state (1,0) operation. For instance, 9 bits with tri-state gets 19,683 (3^9) codes, while two-state has 512 (2^9) codes, gains 38 times more codes with a ECE tri-state DIP Switch.
- Bottom sealed to ensure free of flux immersion during wave soldering.
- All plastics are UL 94V-0 grade fire retardant.
- Gold plated contact to ensure low contact resistance and Tin plated terminals to prevent contamination during soldering.
- Twin contacts designed to ensure stable contact.
- Ideal for coding tele-communication, transceiving, remote control and burglar alarm systems which use integrated circuits with tri-state coding systems.
- RoHS Compliant

■ APPLICATIONS

- Numerical setting for computer terminal equipment
- Price setting for vending machines
- Programming for game machines
- Programming for industrial equipment and measuring instruments

■ SPECIFICATIONS

1.ELECTRICAL

| | |
|------------------|-------------|
| ● Contact rating | |
| switching | 25mA, 24VDC |
| non-switching | 100mA |

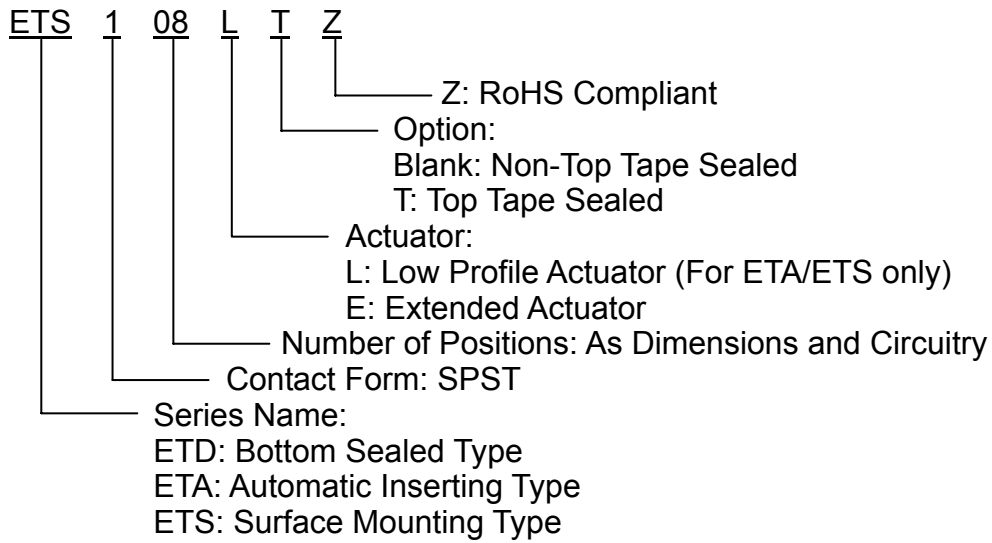


| | |
|--|----------------------------|
| ● Contact resistance | |
| initial | 50mΩ Max. |
| after life test | 100mΩ Max. |
| ● Insulation resistance | 1000MΩ Min. at 100VDC |
| ● Dielectric strength | 500VDC Min. for 60 seconds |
| ● Capacitance between adjacent switches 5pF Max. | |

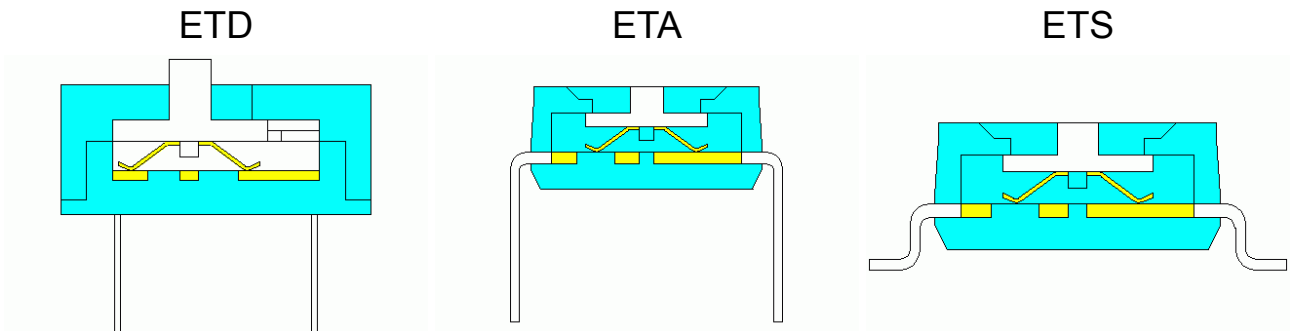
2.MECHANICAL and ENVIRONMENTAL

| | | |
|--|-----------|---|
| ● Temperature rating | operating | -40°C to +85°C |
| | storage | -40°C to +85°C |
| ● Operation force | | 800g Max. |
| ● Mechanical life | | 2000 operations |
| ● Humidity | | 95% RH, 40°C for 96 Hrs. |
| ● Vibration | | 10Hz-55Hz-10Hz for 6 Hrs. |
| ● Solderability (for through hole type) | | After flux 245±5°C for 5±1 seconds |
| ● Resistance to soldering heat | | Solder bath:260±5°C for 5±1 seconds. Solder reflow:peak temperature 260°C Max. |
| ● Reflow soldering process for SMT type | | Reference IEC61760 |

■ PART NUMBERING SYSTEM



■ CONSTRUCTION



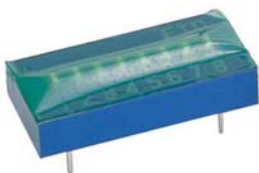
■ OPTIONS

1. Tape Sealed

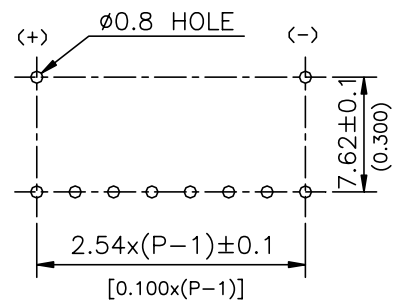
ETDxxxET

ETSxxxLT

ETAxxxLT



2. Reverse P.C.B. LAYOUT available

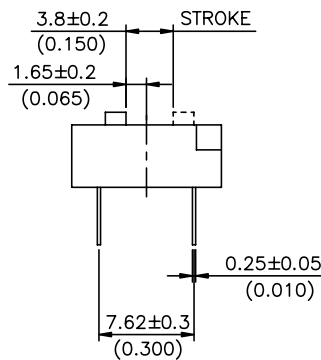
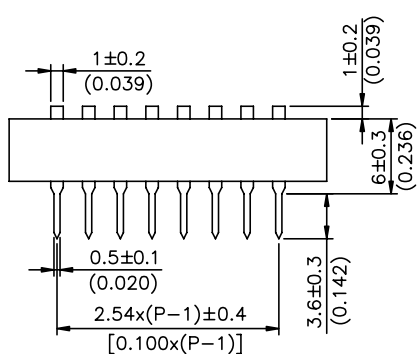
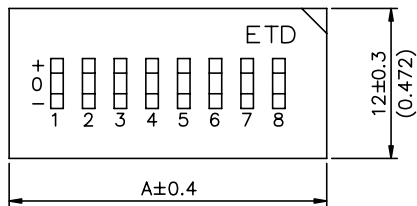


DIMENSIONS AND CIRCUITRY

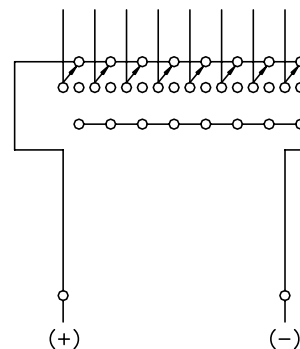
ETD SERIES

Dimension A UNIT:mm(inch)

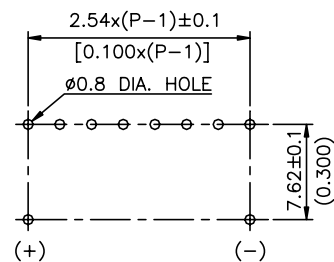
| Positions | 4 | 5 | 6 | 7 | 8 | 9 | 10 |
|-----------|------------------|------------------|------------------|------------------|------------------|------------------|------------------|
| A | 15.30 (0.602) | 17.84 (0.702) | 20.38 (0.802) | 22.92 (0.902) | 25.46 (1.002) | 28.00 (1.102) | 30.54 (1.202) |



CIRCUIT DIAGRAM



P.C.B. LAYOUT (TOP VIEW)

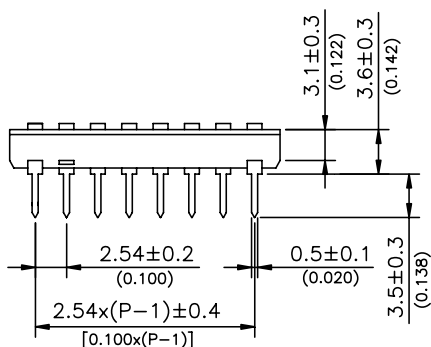
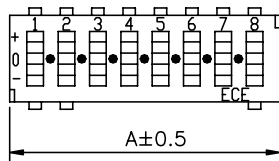


ETA SERIES

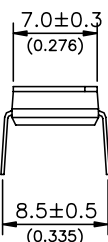
Dimension A UNIT:mm(inch)

| Positions | 2 | 3 | 4 | 5 | 6 | 7 | 8 | 9 | 10 | 12 |
|-----------|-----------------|-----------------|------------------|------------------|------------------|------------------|------------------|------------------|------------------|------------------|
| A | 6.88 (0.263) | 9.22 (0.363) | 11.76 (0.463) | 14.30 (0.563) | 16.84 (0.663) | 19.38 (0.763) | 21.92 (0.863) | 24.46 (0.963) | 27.00 (1.063) | 32.08 (1.263) |

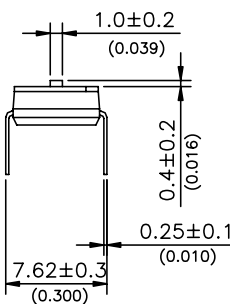
*ETA series: 2, 3 and 6 pole switches are unavailable



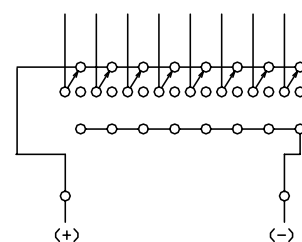
(L)TYPE



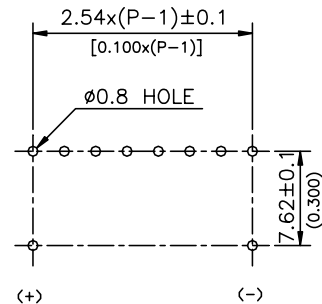
(E)TYPE



CIRCUIT DIAGRAM



P.C.B. LAYOUT (TOP VIEW)



ETS SERIES

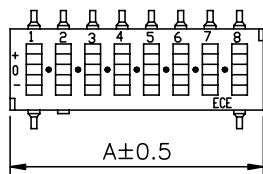
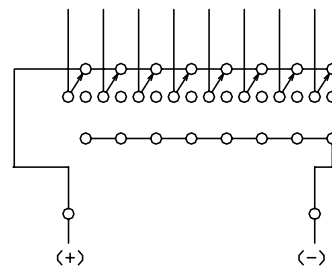
Dimension A

UNIT: mm(inch)

| Positions | 2 | 3 | 4 | 5 | 6 | 7 | 8 | 9 | 10 | 12 |
|-----------|-----------------|-----------------|------------------|------------------|------------------|------------------|------------------|------------------|------------------|------------------|
| A | 6.88 (0.263) | 9.22 (0.363) | 11.76 (0.463) | 14.30 (0.563) | 16.84 (0.663) | 19.38 (0.763) | 21.92 (0.863) | 24.46 (0.963) | 27.00 (1.063) | 32.08 (1.263) |

*ETS series: 2, 3 and 6 pole switches are unavailable

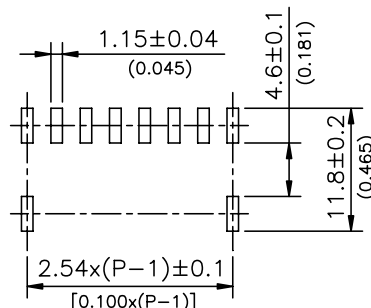
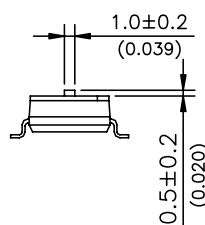
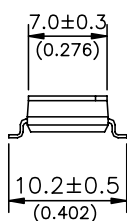
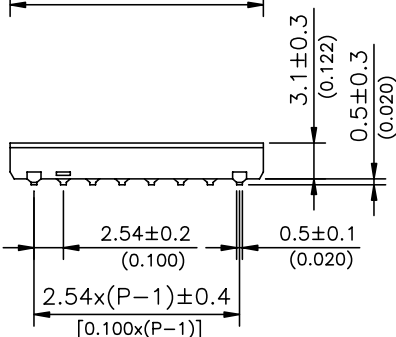
CIRCUIT DIAGRAM



(L)TYPE

(E)TYPE

P.C.B. LAYOUT (TOP VIEW)



X-ON Electronics

Largest Supplier of Electrical and Electronic Components

Click to view similar products for [DIP Switches/SIP Switches](#) category:

Click to view products by [ECC manufacturer](#):

Other Similar products are found below :

[78M03S](#) [79B10T](#) [8136-475G4T](#) [G7G-1A2-CB-DC12](#) [A7SS-M](#) [DBP 2110](#) [DBP 2112](#) [DBS1008](#) [DHN02FTVTR](#) [DHN10T](#) [DHS108](#)
[DPL08TN](#) [DRD16CSE04](#) [DRR4010](#) [DRR60016](#) [DRS4016](#) [BD06E](#) [1825008-1](#) [1825444-1](#) [25.350.0653.0](#) [LA2-DC12](#) [SBS 5004 TG](#)
[SDA10H1BDA](#) [97R06ST](#) [A2C-2A5](#) [1825444-7](#) [ADE08SA04](#) [ADE12S04](#) [2161391-1](#) [2-1825058-8](#) [CCVA 2.5/ 4-G-5.08](#) [P26THRR32](#)
[25.330.0653.1](#) [25.352.0353.0](#) [MDG305ST](#) [IKN0600000](#) [IKN0800000](#) [LA2-002-DC24](#) [DBP2008](#) [DBS1003](#) [DBS2008](#) [438872000](#)
[DRD10CRAE04](#) [DRS1604](#) [DSR02T](#) [DSS 208 N](#) [5-1825033-1](#) [106-SDN06-EV](#) [1-1437507-6](#) [E2FMX2D1M1TGJ03M](#)
[E3ZMCT81M1TJ03M](#)