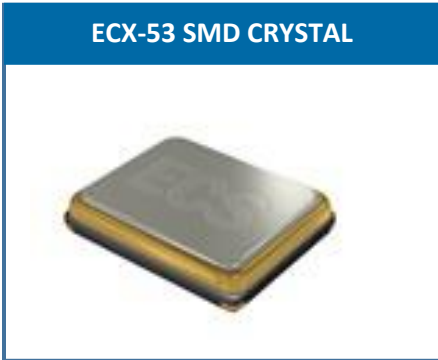


The ECX-53 is a miniature SMD Crystal with a 3.2 x 5 mm footprint. This package is ideal for today's compact wireless applications where board space is critical.

[Request a Sample](#)



OPERATING CONDITIONS / ELECTRICAL CHARACTERISTICS

PARAMETERS	CONDITIONS	ECX-53			UNITS
		MIN	TYP	MAX	
Frequency		8.000		50.000	MHz
Mode of Oscillation	Fundamental				
Frequency Tolerance*	@ +25°C			± 30	ppm
Frequency Stability*	-10 ~ +70°C			± 50	ppm
Shunt Capacitance	Co			5	pF
Load Capacitance	Specify in P/N	10	20	Series	pF
Drive Level	DL			100	µW
Operating Temperature*	T _{opr}	-10		+70	°C
Storage Temperature	T _{stg}	-55		+125	°C
Aging (First Year)	@ +25°C ±3°C			±5	ppm

- Compact and low profile
- Extended Temp. Range Option
- RoHS Compliant
- 2 Pad Option

DIMENSIONS (mm)

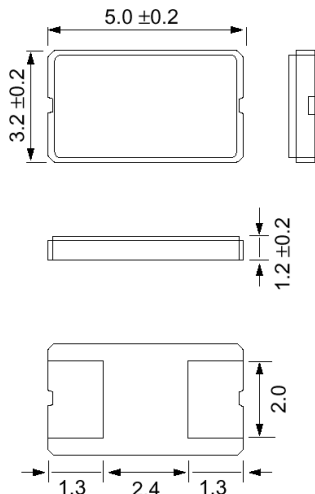


Figure 1) Top, Side, and Bottom

Crystal is symmetrical, pad 1 & 2 are interchangeable. Chamfer on the bottom pad has no electrical significance.

Pad Connections

1	In/Out
2	Out/In

Frequency (MHz)	ESR Ω Max.
8.000 ~ 9.999	100
10.000 ~ 15.999	80
16.000 ~ 19.999	50
20.000 ~ 23.999	40
24.000 ~ 50.000	30

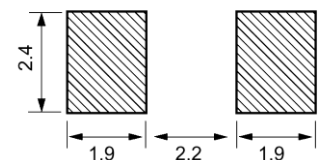


Figure 2) Suggested land

PART NUMBERING GUIDE: Example ECS-200-20-30-TR

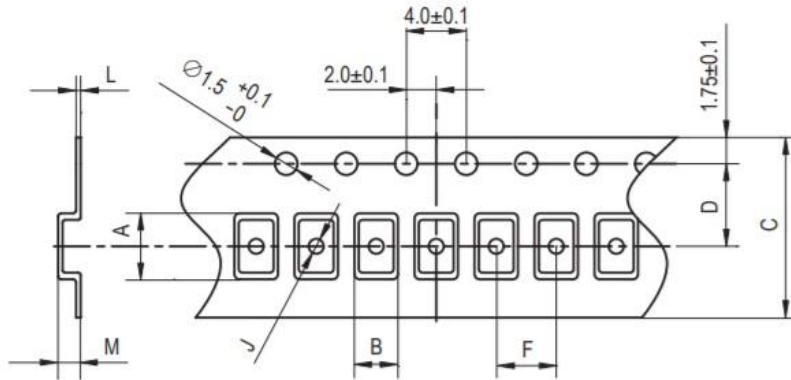
ECS - FREQUENCY ABBREVIATION	LOAD CAPACITANCE	PACKAGE	AVAILABLE OPTIONS			PACKAGING	
			Tolerance	Stability	Temp Range		
ECS	200 = 20.000 MHz See P/N Guide	20 = 20 pF S = Series	30 = ECX-53	Blank = Std A = ± 25 ppm J = ± 20 ppm R = ± 15 ppm C = ± 10 ppm	Blank = Std D = ± 100 ppm E = ± 50 ppm G = ± 30 ppm H = ± 25 ppm T = ± 20 ppm † W = ± 15 ppm † K = ± 10 ppm †	Blank = Std L = -10 ~ +70°C M = -20 ~ +70°C Y = -30 ~ +85°C N = -40 ~ +85°C P = -40 ~ +105°C S = -40 ~ +125°C U = -55 ~ +125°C	TR = Tape & Reel 1K/Reel

* Specify available options in P/N.

† Contact ECS for availability over extended temp range.

Rev.2017

POCKET TAPE DIMENSIONS (mm)



A	B	C	D	F	J	L	M	Reel Dia.	Qty/Reel
5.5	3.7	12.0	5.5	8.0	1.5	0.3	1.65	180	1000pcs

SOLDER PROFILE	
Peak solder Temp +260°C Max 10 sec Max.	
2 Cycles Max.	
MSL 1, Lead Finish Au	

DEVELOPED FREQUENCIES	
Abbreviation	Frequency (MHZ)
080	8.000
100	10.000
120	12.000
160	16.000
200	20.000
240	24.000
250	25.000

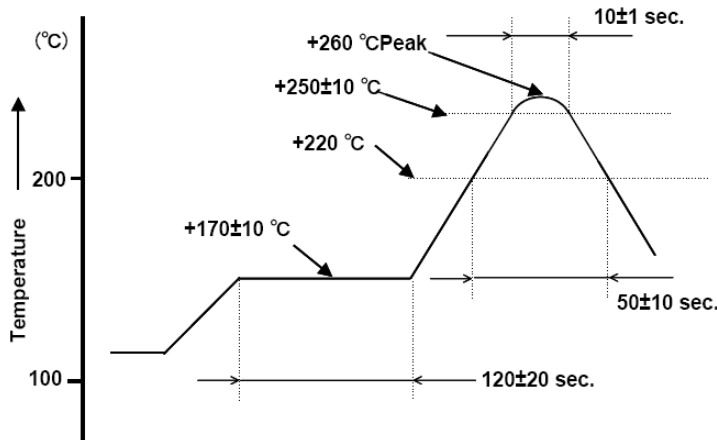


Figure 1) Suggested Reflow Profile

X-ON Electronics

Largest Supplier of Electrical and Electronic Components

Click to view similar products for [ecs inc](#) manufacturer:

Other Similar products are found below :

[ECS-122.8-20-4 X](#) [ECS-3518-800-B-TR](#) [ECS-35-17-4XDN](#) [ECS-160-20-46X](#) [ECS-P53-33.000MHZ-B](#) [ECS-80-8-30Q-VY-TR](#) [ECS-320-12-37-CKM-TR](#) [ECOC-2522-16.384-3GS](#) [ECXV-P37C2N-12.000](#) [ECXV-P37C2M-110.000](#) [ECS-P8F3-1.000-AN](#) [ECOC-2522-10.000-3FC](#) [ECS-36-18-4X](#) [ECOC-2522-38.880-3FC](#) [ECOC-2522-10.000-3GC](#) [ECS-P143-10-AN](#) [ECX-L37BN-1030.000](#) [ECS-.327-12.5-34R-TR](#) [ECS-80-20-1X](#) [ECS-P55-39.2832MHZ-BN](#) [ECOC-2522-20.000-3FC](#) [ECOC-2522-10.000-3HC](#) [ECS-SR1-8.00-B-TR](#) [ECXV-P37C2N-122.880](#) [ECS-TXO-3225MV-160-TR](#) [ECS-800-8-36CKM-TR](#) [ECS-80-16-28AX-TR](#) [ECOC-2522-100.000-5FC](#) [ECOC-2522-100.000-3FC](#) [ECXV-P37C2M-640.000](#) [ECX-L27CM-62.500](#) [ECS-2532VXO-270B-2.8](#) [ECS-36-S-1X](#) [ECXV-L37C2N-148.500](#) [ECX-L35BN-100.000](#) [ECS-200-8-37-CWN-TR](#) [ECS-080-18-1X](#) [ECS-120-32-5P-TR](#) [ECS-147.4-20-7S-TR](#) [ECS-327MV-CN-TR](#) [ECX-P35BN-125.000](#) [ECS-1612MV-120-CN-TR](#) [ECS-240-20-4X](#) [ECS-2520S33-250-FN-TR](#) [ECS-160-18-23A-EN-TR](#) [ECS-MPI2520R0-3R3-R](#) [ECXV-L37C2N-1152.000](#) [ECS-85-S-4X](#) [ECS-35-17-4X](#) [ECS-160-12-30BQ-ADS-TR](#)