

REVISIONS			
REV	DESCRIPTION	DATE	APPROVED

**ELECTRICAL SPECIFICATIONS**

Frequency: 1.000 MHz  
 Frequency Tolerance (Ref @ +25°C): ± 100 ppm Max.  
 Frequency Stability (0 to +60°C): ± 100 ppm Max.  
 Crystal Cut: SL  
 Load Capacitance (CL): 13 pF  
 Recommended Drive Level: 500 µW Max.  
 Effective Series Resistance: 3000 Ω Max.  
 Insulation Resistance: 500 Megaohms Min. @ 100 Vdc  
 Shunt Capacitance: 7 pF Max.  
 Mode of Operation: Fundamental  
 Aging: ± 10 ppm/year Max.  
 Storage Temperature: -30 to +85°C  
 Operating Temperature: 0 to +60°C  
 Package Type: HC-49U

**Dimensions (mm)**

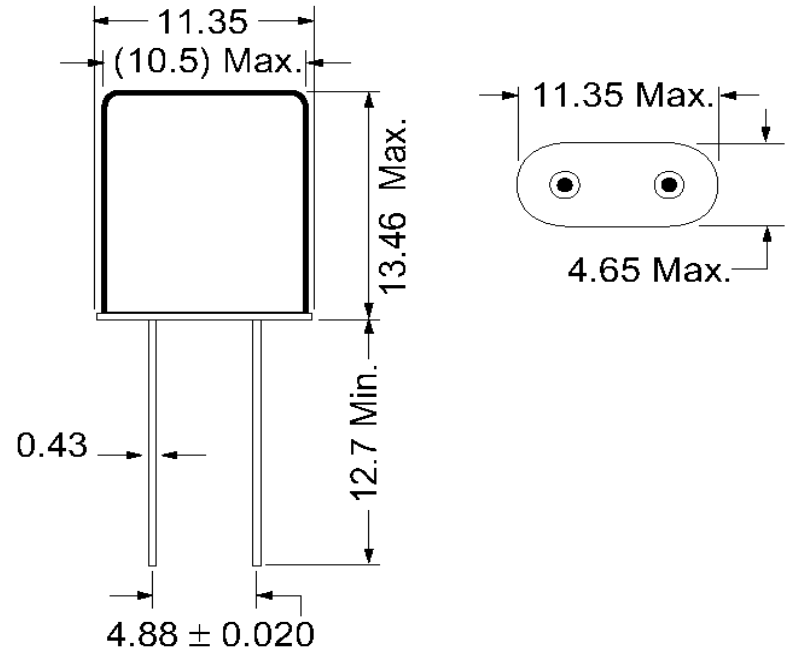


Figure 1) Side and bottom view

**ECS Part Number: ECS-10-13-1XH**



ECS INC. INTERNATIONAL 1105 S. Ridgeview Olathe, KS 66062 (913) 782-7787		
TITLE		<b>1.000 MHz Crystal, HC-49U 13 pF Load Capacitance, SL Cut</b>
SIZE A	DWG NO. ECS-10-13-1XH	REV -
CAGE CODE: 1G8B7		SHEET 1 OF 1

SIGNATURES	DATE
DRN <b>MR</b>	4/18/2007
CHK <b>DK</b>	4/18/2007
APP <b>BS</b>	4/18/2007
<b>Dimensions in mm</b>	

## X-ON Electronics

Largest Supplier of Electrical and Electronic Components

*Click to view similar products for [Crystals category](#):*

*Click to view products by [ECS Inc manufacturer](#):*

Other Similar products are found below :

[MC405 32.0000K-R3:PURE SN](#) [7B-27.000MBBK-T](#) [MP1-8.0 99-BU](#) [9B-15.360MBBK-B](#) [PTX-A2JM-10.000M](#) [9C-7.680MBBK-T](#) [H10S-12.000-18-EXT-TR](#) [ABLS-18.432MHZ-20-D-4-T](#) [R38-32.768-12.5-5PPM-NPB](#) [BTD1062E05A-513](#) [21U15A-21.4MHZ](#) [RTX-781DF1-S-20.950](#) [LFXTAL066198Cutt](#) [9C-14.31818MBBK-T](#) [A-11.000MHZ-27](#) [ABM3B1-25.000MHZ-D2Y-T](#) [SPT2A-.032768B](#) [SPT2A.032768G](#) [SSPT7F-9PF20-R](#) [FX325BS-38.88EEM1201](#) [MP-1-25.000MHZ-3L](#) [MP-1-6.000MHZ](#) [LFXTAL065253Cutt](#) [LFXTAL066431Cutt](#) [XT9S20ANA14M7456](#) [XT9SNLANA16M](#) [646G-24-2](#) [7B-30.000MBBK-T](#) [9B-14.31818MBBK-B](#) [6504-202-1501](#) [6526-202-1501](#) [FA-118T](#) [27.1200MB50P-K0](#) [ABLS-12.000MHZ-B2Y-T](#) [BTJ120E02C](#) [SG636PCE-20.000MC](#) [3404](#) [CX3225SB48000Z0DZNC1](#) [CM315D32768EZFT](#) [C1E-24.000-7-2020-R](#) [C1E-19.200-12-1530-X-R](#) [C1E-16.000-12-1530-X-R](#) [FL5000014](#) [EUCA18-3.1872M](#) [425F35E027M0000](#) [FP0800018](#) [17196](#) [MS3V-T1R-32.768kHz-7pF-20PPM-TA-QC-Au](#) [VXM7-1C1-16M000](#) [MS1V-T1K-32.768kHz-10pF-20PPM-TA-QC-Au](#)