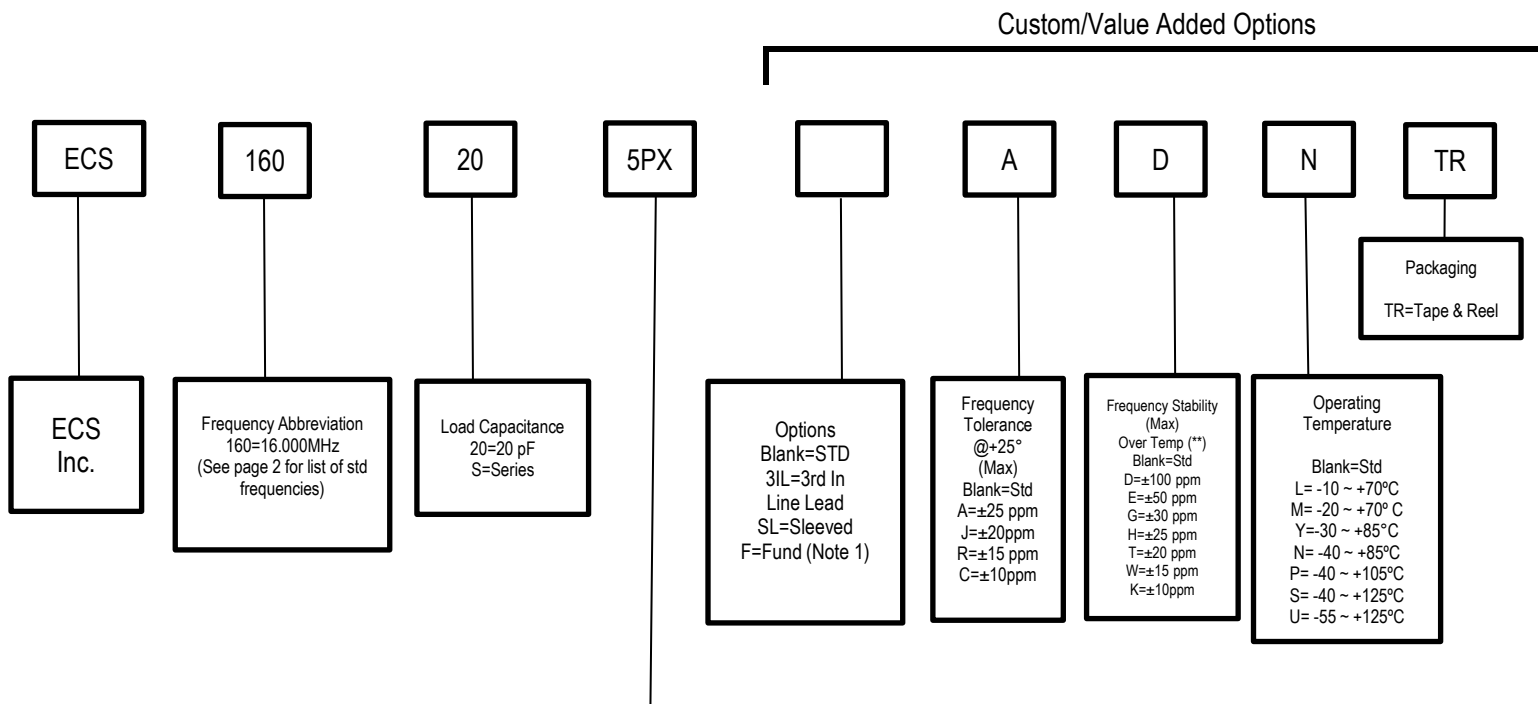




Crystal Part Numbering Guide

Example: P/N ECS-160-20-5PX (Std P/N)
 P/N ECS-160-20-5PX-ADN (Custom P/N)



| (Package Code) Model Types | | | | | | |
|----------------------------|---------------------|------------------|-------------------|-------------------|-----------------|-------------|
| (1X) HC-49UX | (8X) ECS-3x8X | (17X) ECX-306X | (23G) ECS-23G | (33QZ) ECX-33BQZ | (36Q) ECX-2236Q | (49) ECX-49 |
| (3X) CSM-3X | (9X) ECS-3x9X | (18) CSM-12 | (24) ECX-3TA* | (33Q) ECX-33Q | (37) ECX-1637 | |
| (4X) HC-49USX3.5H | (10X) ECS-3x10X | (19A) ECX-19A | (25) UM-4 | (34B) ECX-31B | (37Q) ECX-1637Q | |
| (4LX) HC-49USX2.5H | (11) ECX-205* | (20A) CSM-8 | (28AX) CSM-4A | (34G) ECX-34G | (38) ECX-71 | |
| (4VX) HC-49USSX | (12) ECX-12 | (20BM) CSM-8M | (28ALX) CSM-4ALX | (34R) ECX-34R | (39) ECX-39 | |
| (5PX) CSM-7X4.3H | (12R) ECX-12R | (20BQ) CSM-8Q | (30) ECX-53 | (34RR) ECX-34RR | (42) ECX-42 | |
| (5PLX) CSM-7X3.2H | (12L) ECX-12L | (21) UM-5 | (30B) ECX-53B | (34S) ECX-34S | (46X) HC-46X | |
| (5PVX) CSM-7SSX2.6H | (13X) ECS-2x6X | (22) UM-1 | (30BQ) ECX-53BQ | (34Q) ECX-34Q | (47) ECX-1247 | |
| (5G3X) CSM-7X-3L | (13FLX) ECS-2X6-FLX | (22SMJ) ECX-UM-1 | (30BQZ) ECX-53BQZ | (35) CSM-9 | (47Q) ECX-1247Q | |
| (6) ECX-206* | (14X) ECS-1x5X | (23A) ECX-64A | (33) ECX-32 | (35BQZ) ECX-35BQZ | (48) ECX-1048 | |
| (7SX) ECX-3SX | (16) ECX-16 | (23B) ECX-64 | (33B) ECS-33B | (36) ECX-2236 | (48B) ECX-1048B | |

* Discontinued

** Please consult ECS for available Temp Range options of tight stability crystals

Note 1: Crystals over 24,000 MHz will be 3rd overtone (if available on data sheet) unless fundamental mode is requested. An "F" suffix after the package type indicates a fundamental mode i.e. ECS-300-S-1-F would be a 30,000 MHz Fundamental mode crystal



Crystal Part Numbering Guide



Standard Frequency Abbreviations

| Code | Frequency MHz |
|--------|---------------|
| 10 | 1.000 |
| 18 | 1.8432 |
| 20 | 2.000 |
| 20.48 | 2.048 |
| 24 | 2.4576 |
| 25 | 2.500 |
| 25.6 | 2.560 |
| 29 | 2.94912 |
| 30 | 3.000 |
| 30.72 | 3.072 |
| 32 | 3.2768 |
| 35 | 3.579545 |
| 36 | 3.6864 |
| 36.4 | 3.640 |
| 37 | 3.700 |
| 39 | 3.93216 |
| 40 | 4.000 |
| 40.3 | 4.032 |
| 41 | 4.096 |
| 42 | 4.194304 |
| 44 | 4.433618 |
| 45 | 4.500 |
| 49 | 4.9152 |
| 50 | 5.000 |
| 51 | 5.068 |
| 52 | 5.185 |
| 60 | 6.000 |
| 61 | 6.144 |
| 67.458 | 6.7458 |
| 73 | 7.3728 |
| 76.8 | 7.68 |
| 80 | 8.000 |
| 81.92 | 8.192 |
| 85 | 8.500 |
| 90 | 9.000 |
| 92.1 | 9.216 |

| Code | Frequency MHz |
|---------|---------------|
| 95.4 | 9.545 |
| 96 | 9.600 |
| 98.3 | 9.8304 |
| 100 | 10.000 |
| 107.3 | 10.738635 |
| 110 | 11.000 |
| 110.4 | 11.046 |
| 110.5 | 11.0592 |
| 112.2 | 11.228 |
| 112.896 | 11.2896 |
| 115.2 | 11.520 |
| 119.8 | 11.98135 |
| 120 | 12.000 |
| 120.003 | 12.000393 |
| 121 | 12.096 |
| 122.8 | 12.288 |
| 125 | 12.500 |
| 128 | 12.800 |
| 129.6 | 12.960 |
| 130 | 13.000 |
| 132.250 | 13.225 |
| 132.256 | 13.225625 |
| 135 | 13.5168 |
| 135.212 | 13.52127 |
| 135.485 | 13.54856 |
| 135.6 | 13.560 |
| 140 | 14.000 |
| 143 | 14.31818 |
| 146 | 14.69 |
| 147.4 | 14.7456 |
| 150 | 15.000 |
| 153.6 | 15.360 |
| 160 | 16.000 |
| 160.003 | 16.000312 |
| 162.5 | 16.257 |
| 163.84 | 16.384 |

| Code | Frequency MHz |
|---------|---------------|
| 166.666 | 16.66667 |
| 169.344 | 16.9344 |
| 177.3 | 17.734475 |
| 180 | 18.000 |
| 184 | 18.432 |
| 192 | 19.200 |
| 196.6 | 19.6608 |
| 200 | 20.000 |
| 214.7 | 21.47727 |
| 221 | 22.1184 |
| 225.792 | 22.5792 |
| 240 | 24.000 |
| 240.001 | 24.00014 |
| 245.7 | 24.576 |
| 250 | 25.000 |
| 260 | 26.000 |
| 270 | 27.000 |
| 271.2 | 27.120 |
| 282.24 | 28.224 |
| 286.3 | 28.63636 |
| 294.912 | 29.4912 |
| 300 | 30.000 |
| 320 | 32.000 |
| 327 | 32.768 |
| 330 | 33.000 |
| 333.33 | 33.333 |
| 338 | 33.8688 |
| 352.5 | 35.2512 |
| 360 | 36.000 |
| 380.005 | 38.00053 |
| 384 | 38.400 |
| 390 | 39.000 |
| 400 | 40.000 |
| 403.2 | 40.320 |
| 480 | 48.000 |
| 500 | 50.000 |
| 600 | 60.000 |
| 800 | 80.000 |

X-ON Electronics

Largest Supplier of Electrical and Electronic Components

Click to view similar products for [Crystals](#) category:

Click to view products by [ECS Inc](#) manufacturer:

Other Similar products are found below :

[MC405 32.0000K-R3:PURE SN](#) [7B-27.000MBBK-T](#) [MP1-8.0 99-BU](#) [9B-15.360MBBK-B](#) [PTX-A2JM-10.000M](#) [9C-7.680MBBK-T](#) [H10S-12.000-18-EXT-TR](#) [ABLS-18.432MHZ-20-D-4-T](#) [R38-32.768-12.5-5PPM-NPB](#) [BTD1062E05A-513](#) [21U15A-21.4MHZ](#) [RTX-781DF1-S-20.950](#) [LFXTAL066198Cutt](#) [9C-14.31818MBBK-T](#) [A-11.000MHZ-27](#) [ABM3B1-25.000MHZ-D2Y-T](#) [SPT2A-.032768B](#) [SPT2A.032768G](#) [SSPT7F-9PF20-R](#) [FX325BS-38.88EEM1201](#) [MP-1-25.000MHZ-3L](#) [MP-1-6.000MHZ](#) [LFXTAL065253Cutt](#) [LFXTAL066431Cutt](#) [XT9S20ANA14M7456](#) [XT9SNLANA16M](#) [646G-24-2](#) [7B-30.000MBBK-T](#) [9B-14.31818MBBK-B](#) [6504-202-1501](#) [6526-202-1501](#) [FA-118T](#) [27.1200MB50P-K0](#) [ABLS-12.000MHZ-B2Y-T](#) [BTJ120E02C](#) [SG636PCE-20.000MC](#) [3404](#) [CX3225SB48000Z0DZNC1](#) [CM315D32768EZFT](#) [C1E-24.000-7-2020-R](#) [C1E-19.200-12-1530-X-R](#) [C1E-16.000-12-1530-X-R](#) [FL5000014](#) [EUCA18-3.1872M](#) [425F35E027M0000](#) [FP0800018](#) [17196](#) [MS3V-T1R-32.768kHz-7pF-20PPM-TA-QC-Au](#) [VXM7-1C1-16M000](#) [MS1V-T1K-32.768kHz-10pF-20PPM-TA-QC-Au](#)