

REVISIONS			
REV	DESCRIPTION	DATE	APPROVED

PACKAGE DIMENSIONS (mm)

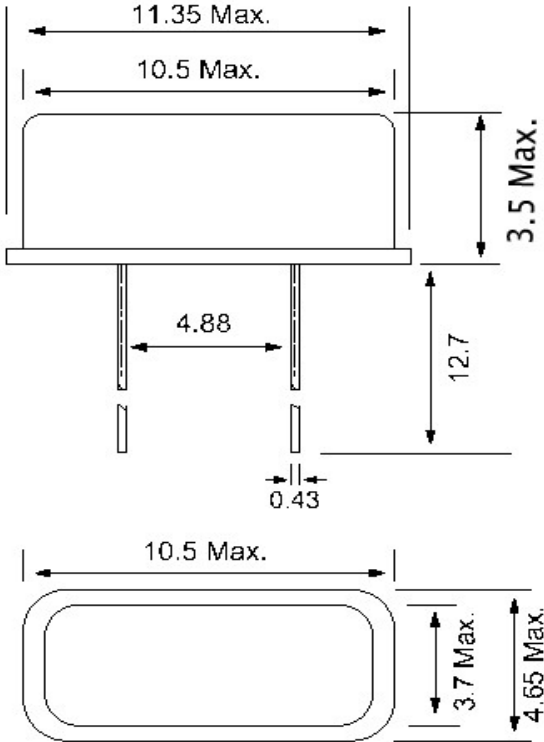


Figure 1) Side and Top Views

ELECTRICAL SPECIFICATIONS

Frequency: 20.00320 MHz
 Frequency Tolerance @ +25°C: ± 10 ppm Max.
 Frequency Stability -10 to +70°C: ± 10 ppm Max.
 Crystal Cut: AT Strip
 Load Capacitance (CL): 11.5 pF
 Recommended Drive Level: 500 µW Max.
 Effective Series Resistance: 30 Ω Max.
 Shunt Capacitance: 7 pF Max.
 Mode of Operation: Fundamental
 Aging: ± 5 ppm/year Max.
 Storage Temperature: -30 to +85°C
 Operating Temperature: -10 to +70°C
 Package Type: HC-49USX



ECS Part Number: ECS-200.032-CDX-0980

ECS INC. INTERNATIONAL 1105 S. Ridgeview Olathe, KS 66062 (913) 782-7787		
TITLE		20.0032 MHz Crystal, HC-49USX Pb Free/RoHS Compliant
SIZE A	DWG NO. ECS-200.032-CDX-0980	REV
CAGE CODE: 1G8B7		SHEET 1 OF 1

SIGNATURES	DATE
DRN BL	2/28/2014
CHK RC	2/28/2014
APP DK	2/28/2014
Dimensions in mm	

X-ON Electronics

Largest Supplier of Electrical and Electronic Components

Click to view similar products for [Crystals](#) category:

Click to view products by [ECS Inc](#) manufacturer:

Other Similar products are found below :

[CX3225GB25000M0PPSZ1](#) [718-13.2-1](#) [7A-40.000MAAE-T](#) [FL2000085](#) [99-BU](#) [9B-15.360MBBK-B](#) [9C-7.680MBBK-T](#) [H10S-12.000-18-EXT-TR](#) [ABC2-6.000MHZ-D4Z-T](#) [ABLS-20.000MHZ-D2-T](#) [ABM3B-27.000MHZ-D4Y-T](#) [ABS071-32.768KHZ-6-T](#) [R38-32.768-12.5-5PPM-NPB](#) [BTD1062E05A-513](#) [C711980XFAS30XX](#) [21U15A-21.4MHZ](#) [RTX-781DF1-S-20.950](#) [LFXTAL066198Cutt](#) [9C-14.31818MBBK-T](#) [A-11.000MHZ-27](#) [ABL-27.000MHZ-B4Y-T](#) [ABM11-132-24.000MHZ-T3](#) [ABM3B1-25.000MHZ-D2Y-T](#) [SPT2A-.032768B](#) [SPT2A.032768G](#) [SSPT7F-9PF20-R](#) [LFXTAL065253Cutt](#) [LFXTAL066431Cutt](#) [XT9S20ANA14M7456](#) [XT9SNLANA16M](#) [7A-24.576MBBK-T](#) [7B-30.000MBBK-T](#) [CX2520DB16000H0HPQCC](#) [MMCC2R32.7680KHZ](#) [7A-14.31818MBBK-T](#) [6504-202-1501](#) [6526-202-1501](#) [ABLS-12.000MHZ-B2Y-T](#) [7A-10.000MBBK-T](#) [SG636PCE-20.000MC](#) [3404](#) [CM315D32768EZFT](#) [C1E-24.000-7-2020-R](#) [C1E-19.200-12-1530-X-R](#) [C1E-16.000-12-1530-X-R](#) [ABM11-16.000MHZ-9-B1U-T](#) [FL5000014](#) [EUCA18-3.1872M](#) [FX0800015](#)
[425F35E027M0000](#)