

The miniature ECS-33B2 is a compact SMD Crystal that offers low aging of  $\pm 2$  ppm first year. The industry standard 3.2 x 2.5 x 0.8 mm ceramic package is ideal for today's wireless applications.

Request a Sample

## ECS-33B2 SMD CRYSTAL

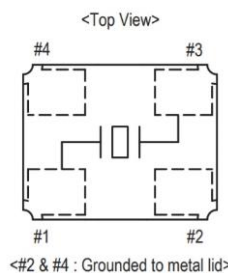
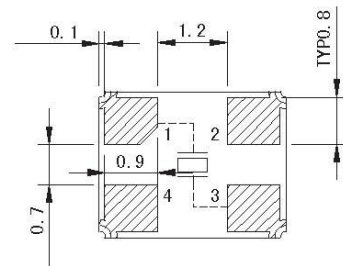
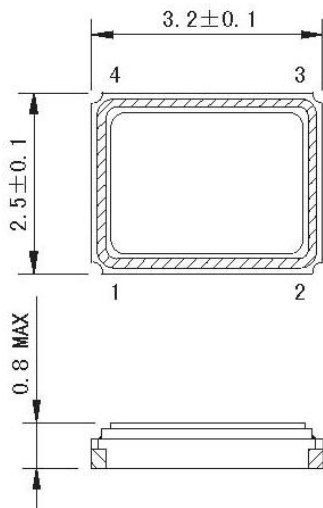


- IOT/Wearable applications
- SmartHome Sensors
- BTLE, Wi-Fi wireless
- Low Aging

## OPERATING CONDITIONS / ELECTRICAL CHARACTERISTICS

PARAMETERS	CONDITIONS	ECS-33B2			UNITS
		MIN	TYP	MAX	
Frequency		10.000		54.000	MHz
Mode of Oscillation	Fundamental				
Frequency Tolerance* (C)	@ +25°C			$\pm 10$	ppm
Frequency Stability* (WN)	-40 ~ +85°C			$\pm 15$	ppm
Shunt Capacitance	Co			2	pF
Load Capacitance	Specify in P/N		8		pF
Drive Level	DL			200	$\mu$ W
Operating Temperature*	T <sub>opr</sub>	-40		+85	°C
Storage Temperature	T <sub>stg</sub>	-40		+125	°C
Aging (First Year)	@ +25°C $\pm 3$ °C			$\pm 2$	ppm

## DIMENSIONS (mm)



### Pad Connections

1	In/Out
2	Gnd
3	Out/In
4	Gnd

Frequency (MHz)	ESR $\Omega$ Max.
10.000 ~ 15.999	100
16.000 ~ 20.999	60
21.000 ~ 39.999	40
40.000 ~ 54.000	30

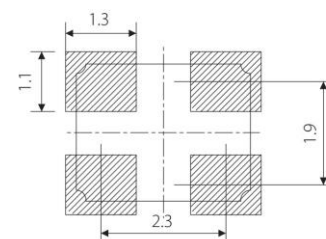


Figure 1) Top, Side, and Bottom

Crystal is symmetrical, pad 1 & 3 are interchangeable. Chamfer on the bottom pad has no electrical significance.

Figure 2) Suggested land

## PART NUMBERING GUIDE: Example ECS-160-9-33B2-CWN-TR

ECS - FREQUENCY ABBREVIATION	LOAD CAPACITANCE	PACKAGE	AVAILABLE OPTIONS		PACKAGING
			Tolerance	Stability	

ECS

160 = 16.000 MHz  
See P/N Guide

8 = 8 pF\*  
10 = 10 pF\*  
12 = 12 pF \*

-33B =  
ECS-33B2

A =  $\pm 25$  ppm  
J =  $\pm 20$  ppm  
R =  $\pm 15$  ppm  
C =  $\pm 10$  ppm  
7 =  $\pm 7$  ppm

D =  $\pm 100$  ppm  
E =  $\pm 50$  ppm  
G =  $\pm 30$  ppm  
H =  $\pm 25$  ppm  
T =  $\pm 20$  ppm †  
W =  $\pm 15$  ppm †  
K =  $\pm 10$  ppm †

L = -10 ~ +70°C  
M = -20 ~ +70°C  
Y = -30 ~ +85°C  
N = -40 ~ +85°C  
P = -40 ~ +105°C  
S = -40 ~ +125°C

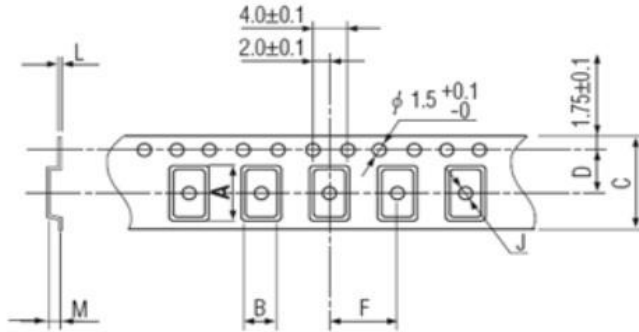
TR = 1K  
TR3 = 3K  
Qty/Reel

\* Specify available options in P/N.

† Contact ECS for availability over extended temp range.

Rev.2023

**POCKET TAPE DIMENSIONS (mm)**



A	B	C	D	F	J	L	M	Reel Dia.
3.5	2.8	8.0	3.5	4.0	1.1	0.25	1.0	180

SOLDER PROFILE	
Peak solder Temp +260°C Max 10 sec Max.	
2 Cycles Max.	
MSL 1, Lead Finish Au	

DEVELOPED FREQUENCIES	
Abbreviation	Frequency (MHZ)
120	12.000
160	16.000
192	19.200
200	20.000
240	24.000
245.7	24.576
250	25.000
260	26.000
270	27.000
300	30.000
320	32.000
360	36.000
400	40.000
480	48.000
500	50.000
520	52.000
540	54.000

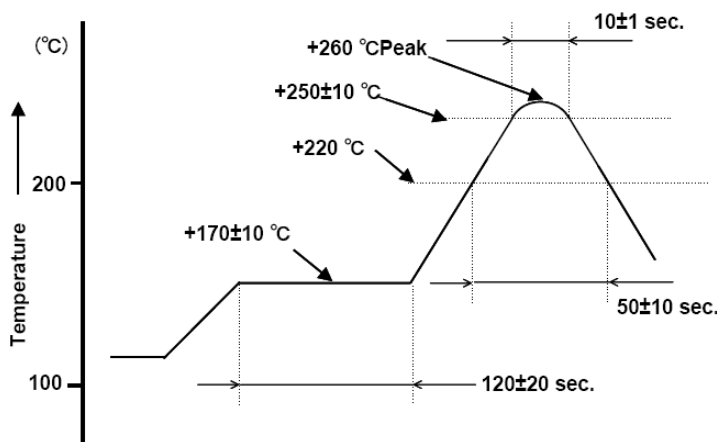


Figure 1) Suggested Reflow Profile

## X-ON Electronics

Largest Supplier of Electrical and Electronic Components

*Click to view similar products for [Crystals](#) category:*

*Click to view products by [ECS Inc](#) manufacturer:*

Other Similar products are found below :

[CX3225GB25000M0PPSZ1](#) [718-13.2-1](#) [7A-40.000MAAE-T](#) [FL2000085](#) [99-BU](#) [9B-15.360MBBK-B](#) [9C-7.680MBBK-T](#) [H10S-12.000-18-EXT-TR](#) [ABC2-6.000MHZ-D4Z-T](#) [ABLS-20.000MHZ-D2-T](#) [ABM3B-27.000MHZ-D4Y-T](#) [ABS071-32.768KHZ-6-T](#) [R38-32.768-12.5-5PPM-NPB](#) [BTD1062E05A-513](#) [C711980XFAS30XX](#) [21U15A-21.4MHZ](#) [RTX-781DF1-S-20.950](#) [LFXTAL066198Cutt](#) [9C-14.31818MBBK-T](#) [A-11.000MHZ-27](#) [ABL-27.000MHZ-B4Y-T](#) [ABM11-132-24.000MHZ-T3](#) [ABM3B1-25.000MHZ-D2Y-T](#) [SPT2A-.032768B](#) [SPT2A.032768G](#) [SSPT7F-9PF20-R](#) [LFXTAL065253Cutt](#) [LFXTAL066431Cutt](#) [XT9S20ANA14M7456](#) [XT9SNLANA16M](#) [7A-24.576MBBK-T](#) [7B-30.000MBBK-T](#) [CX2520DB16000H0HPQCC](#) [MMCC2R32.7680KHZ](#) [7A-14.31818MBBK-T](#) [6504-202-1501](#) [6526-202-1501](#) [ABLS-12.000MHZ-B2Y-T](#) [7A-10.000MBBK-T](#) [SG636PCE-20.000MC](#) [3404](#) [CM315D32768EZFT](#) [C1E-24.000-7-2020-R](#) [C1E-19.200-12-1530-X-R](#) [C1E-16.000-12-1530-X-R](#) [ABM11-16.000MHZ-9-B1U-T](#) [FL5000014](#) [EUCA18-3.1872M](#) [FX0800015](#)  
[425F35E027M0000](#)